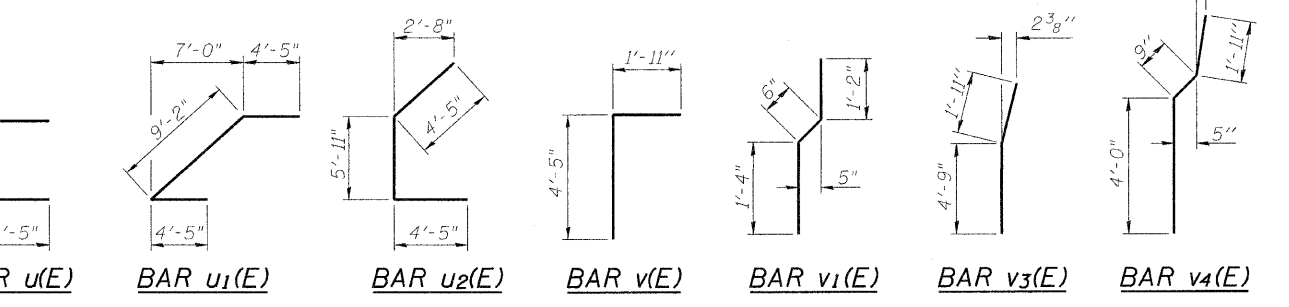
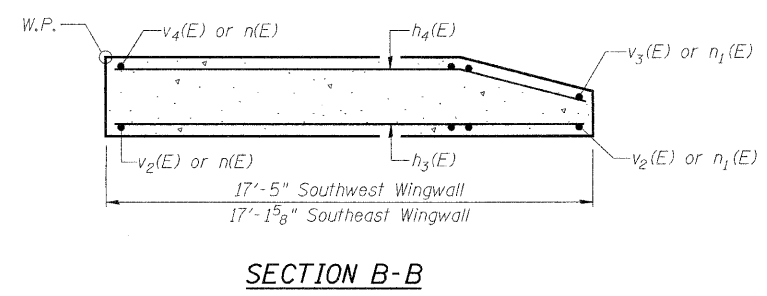
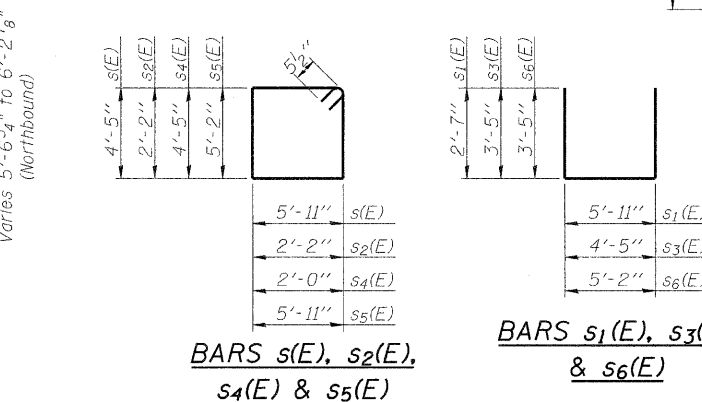
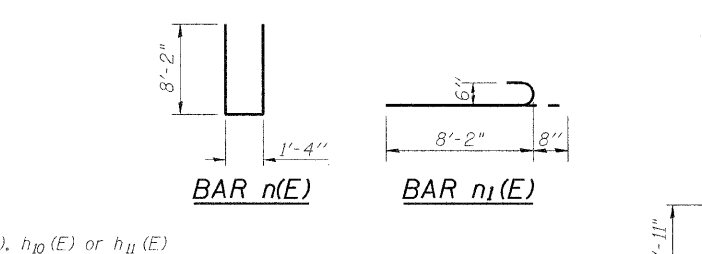
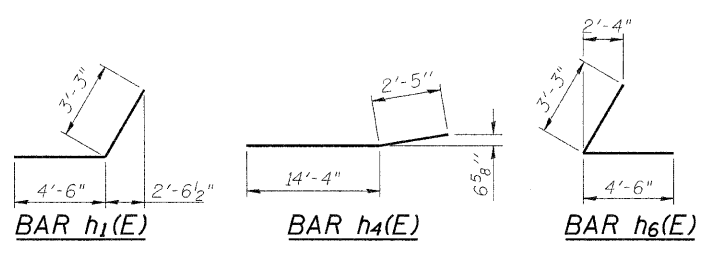
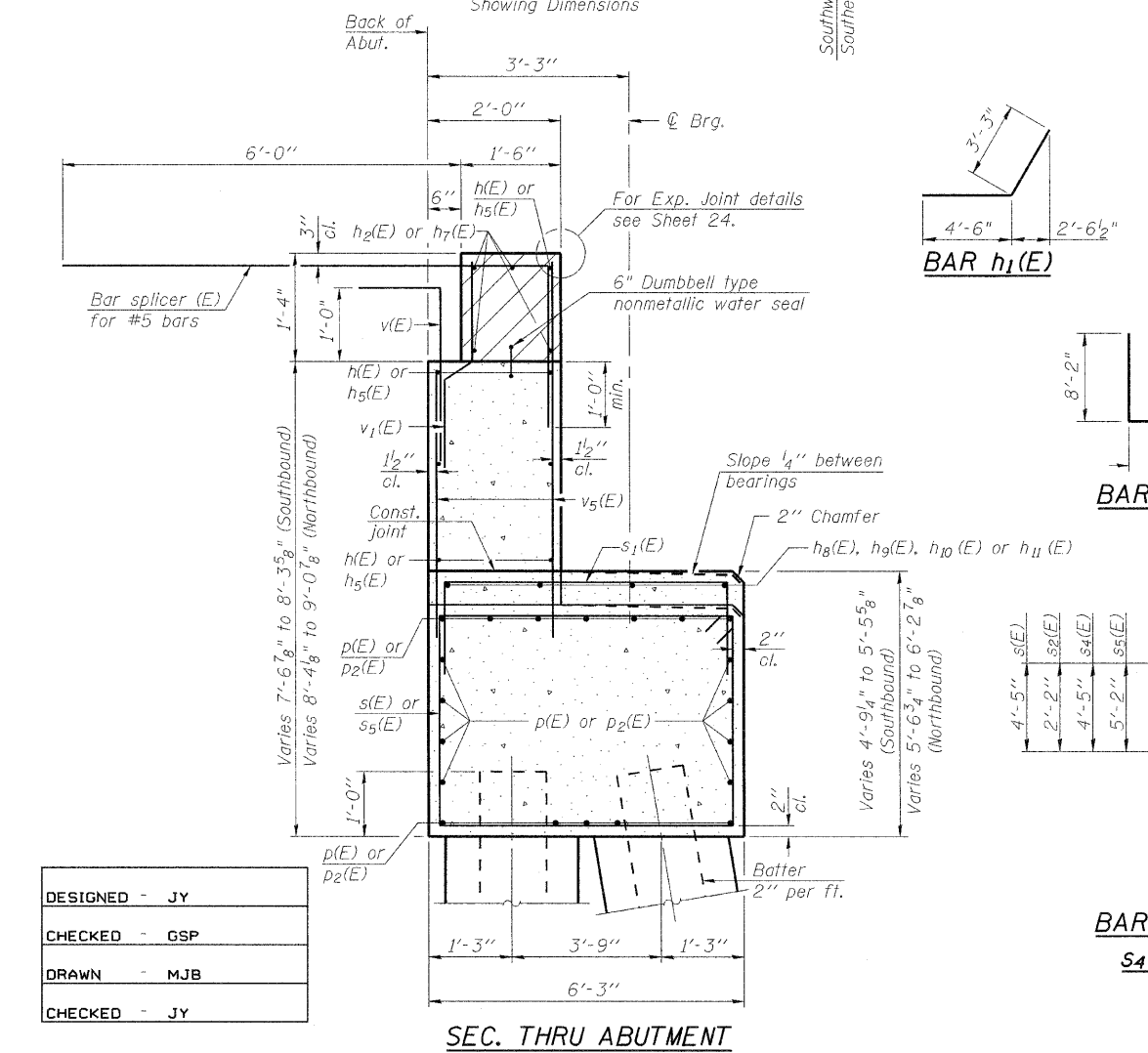
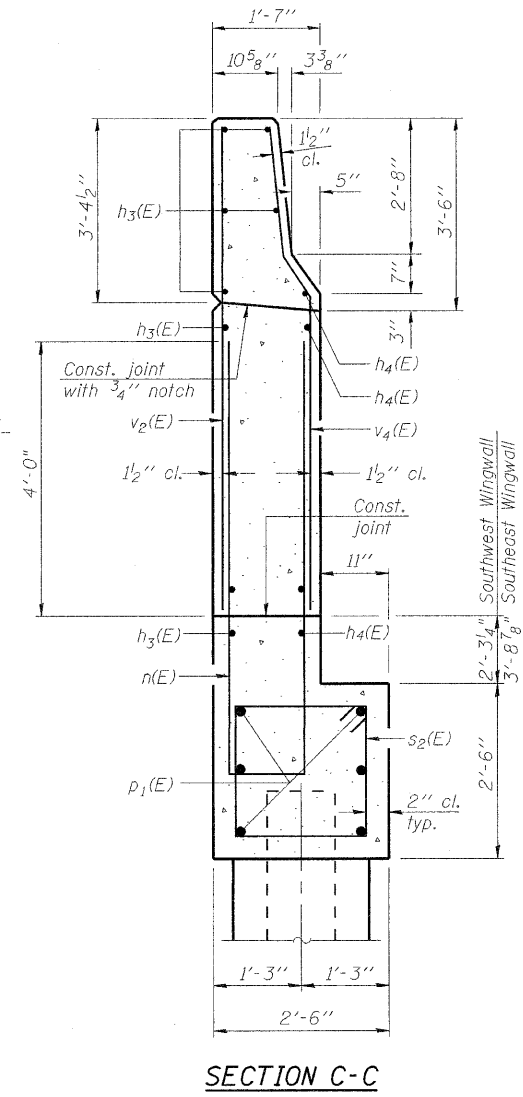
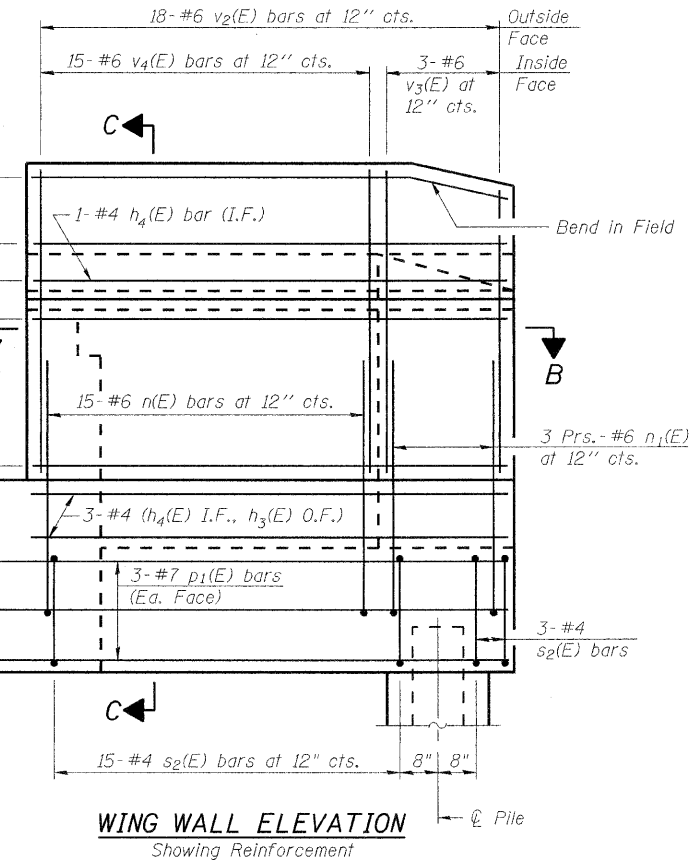
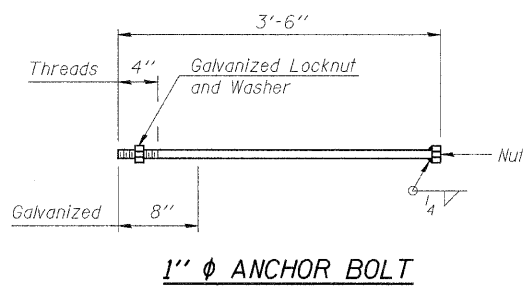
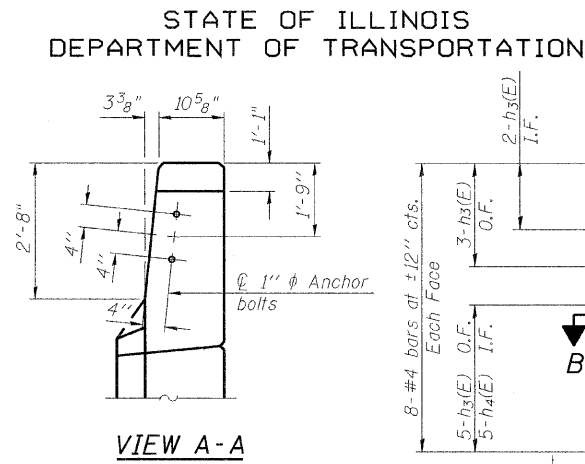
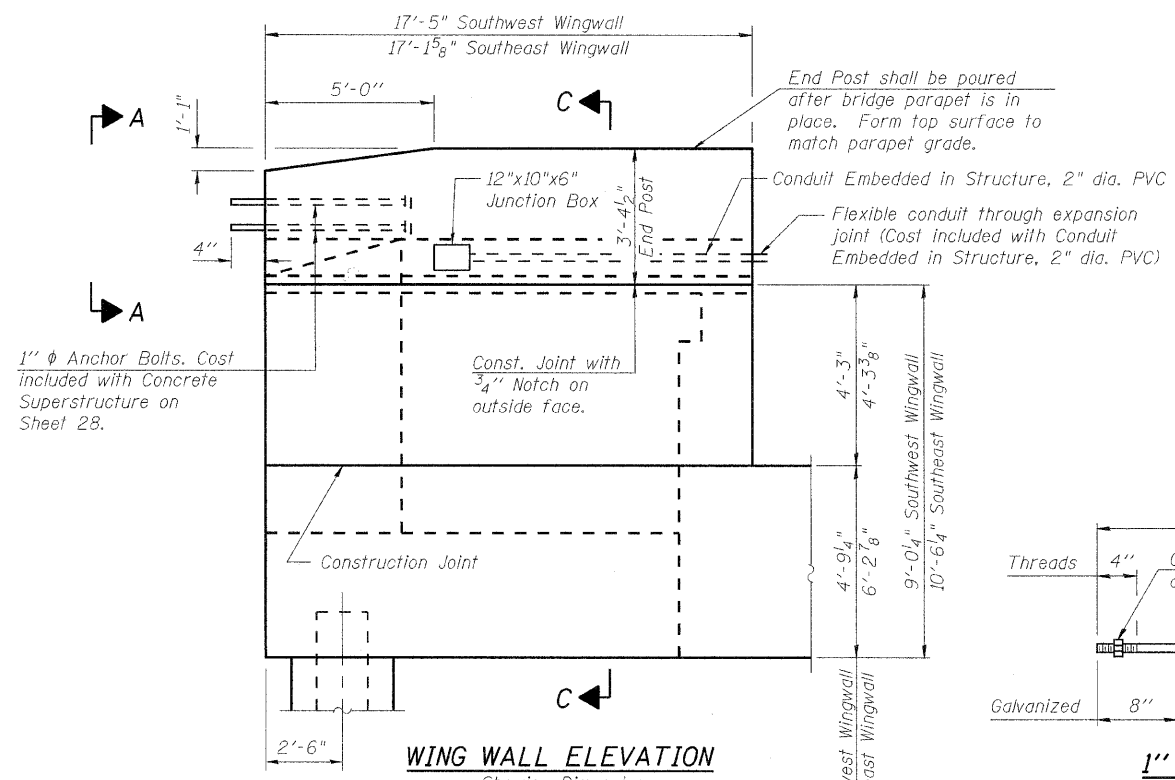


STATE OF ILLINOIS
DEPARTMENT OF TRANSPORTATION



Notes:
Hatched area to be poured after superstructure false work has been removed. Quantity of concrete included with Concrete Superstructure. Space reinforcement in cap to miss anchor bolts. Pour steps monolithically with cap. Quantity of concrete in end post included with Concrete Superstructure on Sheet 28. For details of pile and Concrete Encasement, see Sheet 59. For details of Bar Splicers, see Sheet 58. For bar d₅(E) and d₆(E) details, see Sheet 28. For Bill of Material, see Sheet 46.

**SOUTH ABUTMENT
DETAILS
STRUCTURE NO. 101-0190**

DESIGNED - JY
CHECKED - GSP
DRAWN - MJB
CHECKED - JY

SHEET NO. 47 61 SHEETS	F.A. RTE.	SECTION	COUNTY	TOTAL SHEETS	SHEET NO.
	*	1-HBR & 1-2HB-D	WINNEBAGO	216	102
IL RTE 251 & FOREST HILLS RD CONTRACT NO. 64B79					
FED. ROAD DIST. NO. 7 [ILLINOIS] FED. AID PROJECT					

* F.A.P. 303 & F.A.U. 5146