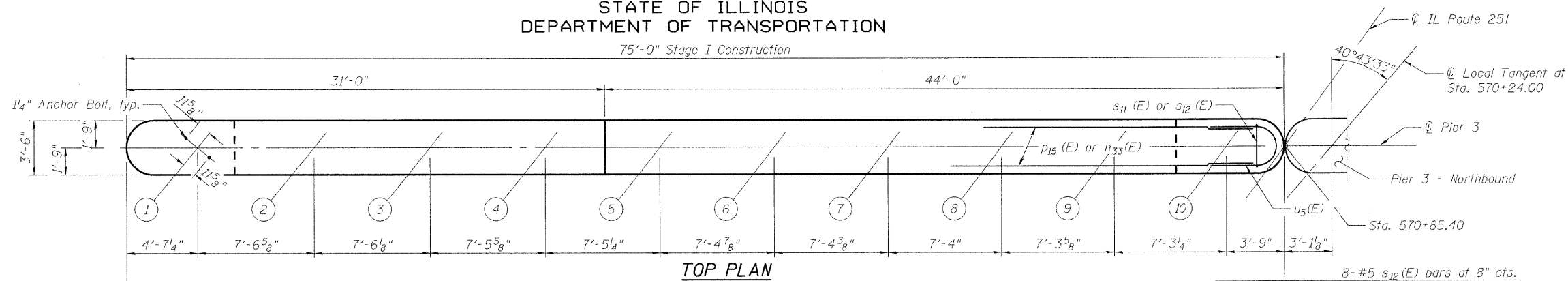
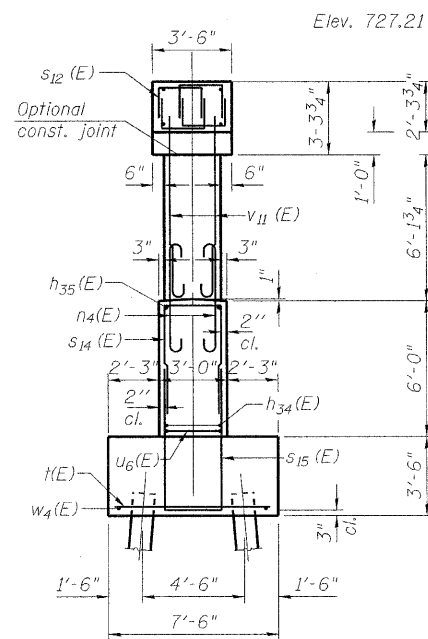


STATE OF ILLINOIS  
DEPARTMENT OF TRANSPORTATION

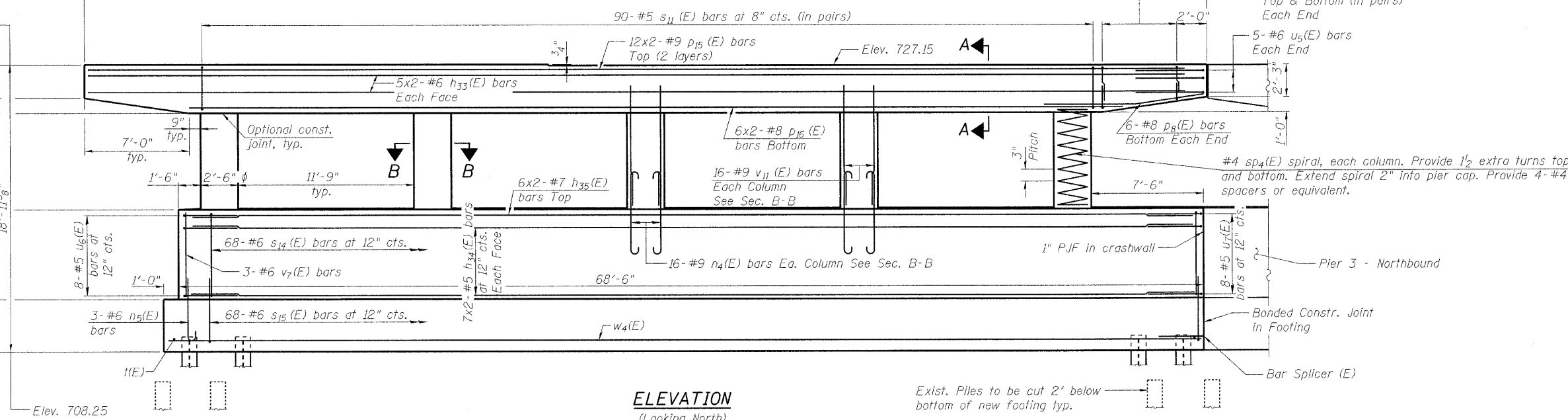
75'-0" Stage I Construction



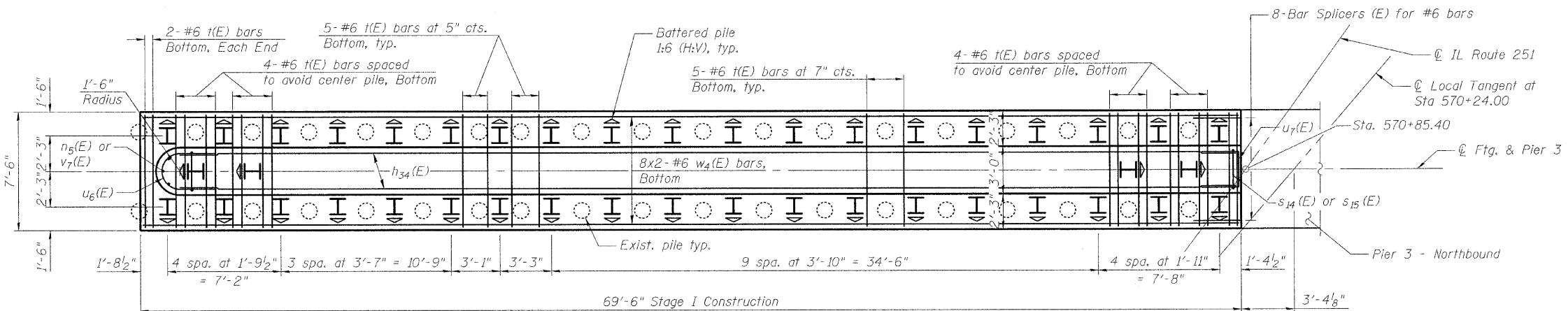
TOP PLAN



END VIEW



ELEVATION  
(Looking North)



FOOTING PLAN

PIER 3 - SOUTHBOUND  
STRUCTURE NO. 101-0190

DESIGNED - JY
CHECKED - GSP
DRAWN - MJB
CHECKED - JY

PILE DATA

Type: Steel HP 12x53 with pile shoes  
Nominal Required Bearing: 318 kips  
Factored Resistance Available: 175 kips  
Est. Length: 29 ft  
No. Production Piles: 41  
No. Test Piles: 1

Note:  
See test pile location on Sheet 3.

MINIMUM BAR LAPS

(Piers)  
#5 Bar - 3'-3"  
#6 Bar - 3'-10"  
#7 Bar - 5'-10"  
#8 Bar - 6'-9"  
#9 Bar - 9'-8"

SHEET NO. 55 61 SHEETS	F.A.* RTE.	SECTION	COUNTY	TOTAL SHEETS	SHEET NO.
	*	1-HBR & 1-2HB-D	WINNEBAGO	216	110
IL RTE 251 & FOREST HILLS RD CONTRACT NO. 64B79					
FED. ROAD DIST. NO. 7 ILLINOIS FED. AID PROJECT					

\* F.A.P. 303 & F.A.U. 5146