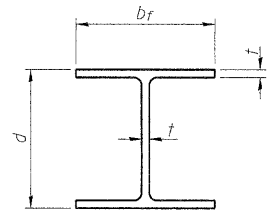
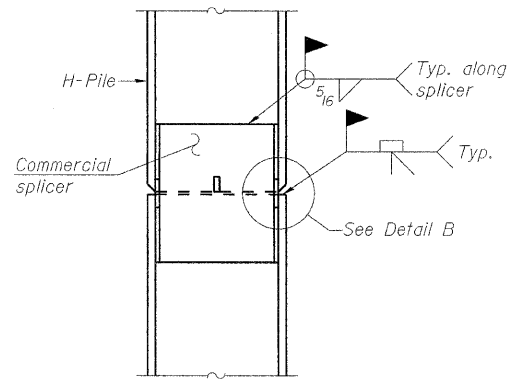


STATE OF ILLINOIS
DEPARTMENT OF TRANSPORTATION

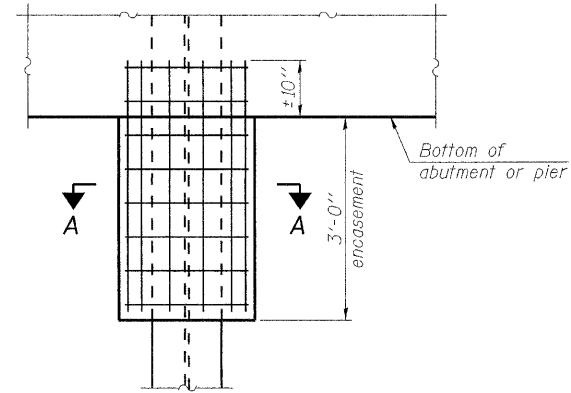


STEEL PILE TABLE

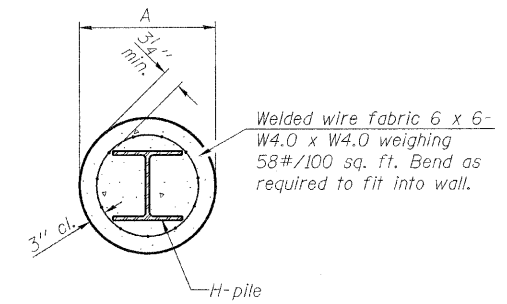
Designation	Depth <i>d</i>	Flange width <i>b_f</i>	Web and Flange thickness <i>t</i>	Encasement diameter <i>A</i>
HP 14x117	14 1/4"	14 7/8"	1 3/16"	30"
x102	14"	14 3/4"	1 1/16"	30"
x89	13 7/8"	14 3/4"	5/8"	30"
x73	13 5/8"	14 5/8"	1/2"	30"
HP 12x84	12 1/4"	12 4/4"	1 1/16"	24"
x74	12 1/8"	12 4/4"	5/8"	24"
x63	12"	12 1/8"	1/2"	24"
x53	11 3/4"	12"	7/16"	24"
HP 10x57	10"	10 1/4"	9/16"	24"
x42	9 3/4"	10 1/8"	7/16"	24"
HP 8x36	8"	8 1/8"	7/16"	18"



ELEVATION

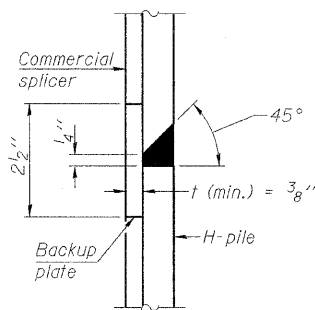


ELEVATION

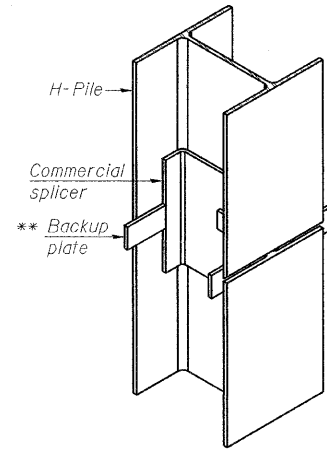


SECTION A-A

Note:
Forms for encasement may be omitted when soil conditions permit.

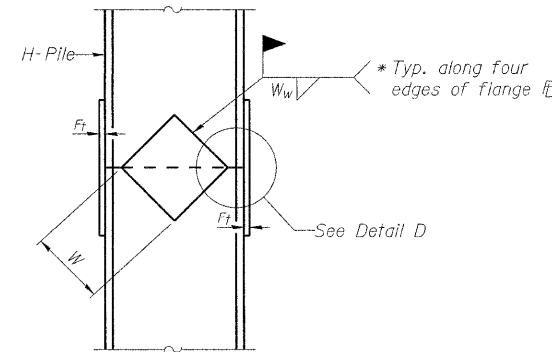


DETAIL "B"

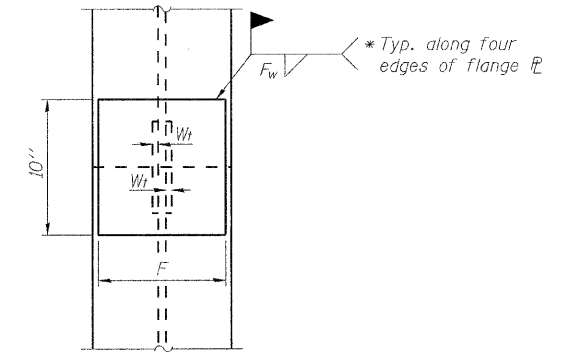


ISOMETRIC VIEW

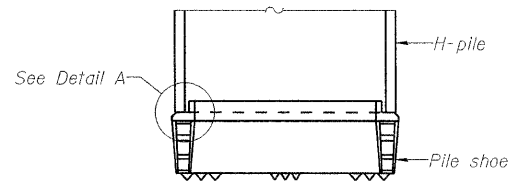
PILE ENCASEMENT



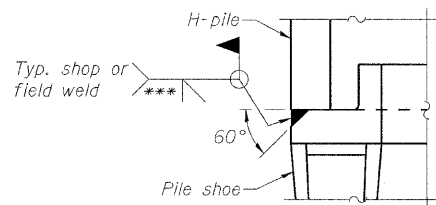
ELEVATION



END VIEW

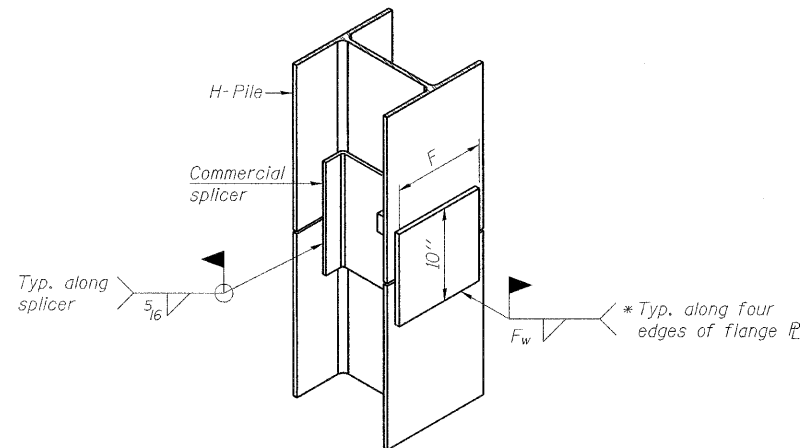


ELEVATION



DETAIL A

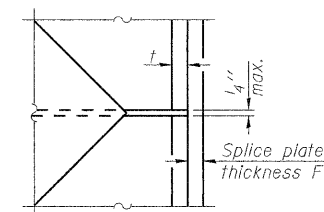
H-PILE SHOE ATTACHMENT



ISOMETRIC VIEW

WELDED COMMERCIAL SPLICE ALTERNATE

- * Interrupt welds 1/4" from end of web and/or each flange.
- ** Remove portions of backup plates that extend outside the flanges.
- *** Weld size per pile shoe manufacturer (5/16" min.).



DETAIL D

WELDED PLATE FIELD SPLICE

Designation	<i>F</i>	<i>F_t</i>	<i>F_w</i>	<i>W</i>	<i>W_t</i>	<i>W_w</i>
HP 14x117	12 1/2"	1"	7/8"	7 3/4"	5 8/8"	1/2"
x102	12 1/2"	7/8"	3/4"	7 3/4"	5 8/8"	1/2"
x89	12 1/2"	3/4"	1 1/16"	7 3/4"	5 8/8"	1/2"
x73	12 1/2"	5/8"	9/16"	7 3/4"	5 8/8"	1/2"
HP 12x84	10"	7/8"	1 1/16"	6 1/2"	5 8/8"	1/2"
x74	10"	7/8"	1 1/16"	6 1/2"	5 8/8"	1/2"
x63	10"	5/8"	1/2"	6 1/2"	1/2"	3/8"
x53	10"	5/8"	1/2"	6 1/2"	1/2"	3/8"
HP 10x57	8"	3/4"	9/16"	5 1/4"	1/2"	3/8"
x42	8"	5/8"	9/16"	5 1/4"	1/2"	3/8"
HP 8x36	7"	5/8"	7/16"	4 1/4"	1/2"	3/8"

HP PILE DETAILS
STRUCTURE NO. 101-0190

Note:
The steel H-piles shall be according to AASHTO M270 Grade 50.

SHEET NO.	F.A.* RTE.	SECTION	COUNTY	TOTAL SHEETS	SHEET NO.
59	*	1-HBR & 1-2HB-D	WINNEBAGO	216	114
61 SHEETS					
IL RTE 251 & FOREST HILLS RD			CONTRACT NO. 64B79		
FED. ROAD DIST. NO. 7 ILLINOIS FED. AID PROJECT					

* F.A.P. 303 & F.A.U. 5146

DESIGNED - JY
CHECKED - GSP
DRAWN - MJB
CHECKED - JY

F-HP 7-1-10