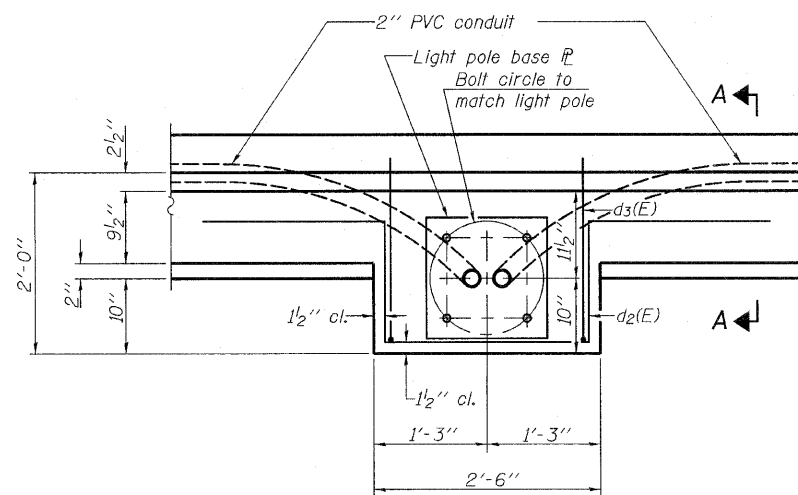
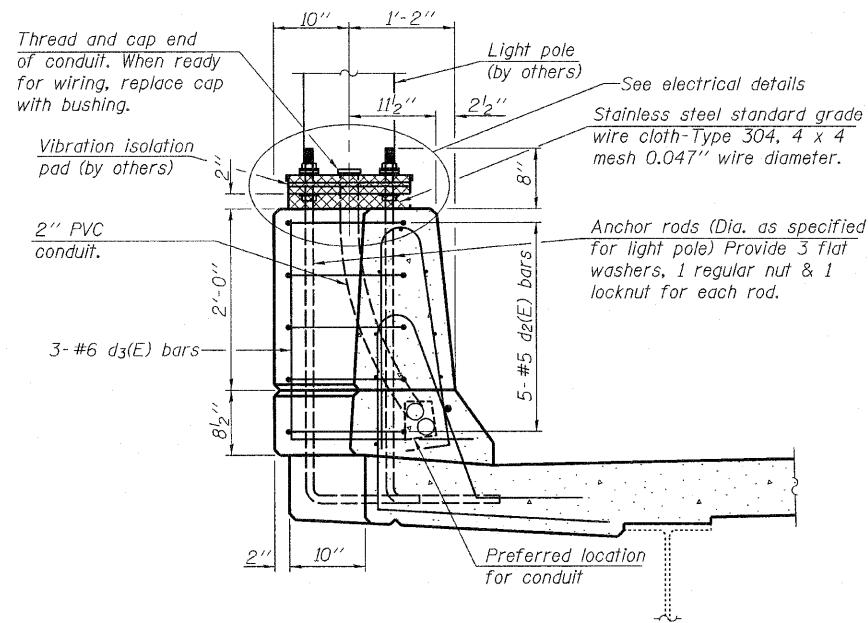


STATE OF ILLINOIS  
DEPARTMENT OF TRANSPORTATION

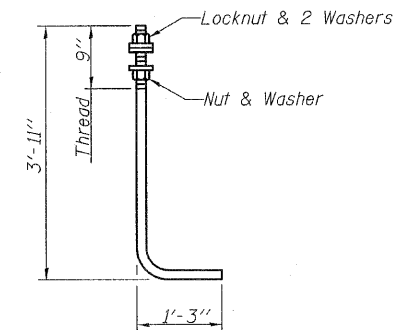


PLAN

Note:  
Cost of anchor rods is  
included with Concrete Superstructure.



SECTION A-A



ANCHOR ROD

Diameter as specified for light poles.  
(ASTM F 1554 Grade 105)

SUPERSTRUCTURE DETAILS  
(LIGHT MOUNT)  
STRUCTURE NO. 101-0123

DESIGNED	PRD
CHECKED	KPS
DRAWN	PRD
CHECKED	KPS

**rjngroup**  
Excellence through Ownership  
200 West Front Street  
Wheaton, IL 60187  
PH. 630.682.4700

SHEET NO. 9 OF 33 SHEETS	F.A.P. & F.A.U. RTE. & RTE.	SECTION	COUNTY	TOTAL SHEETS	SHEET NO.
	303 5146	1-HBR & 1-2HB-D	WINNEBAGO	216	125
CONTRACT NO. 64B79					
FED. ROAD DIST. NO. 2   ILLINOIS   FED. AID PROJECT					