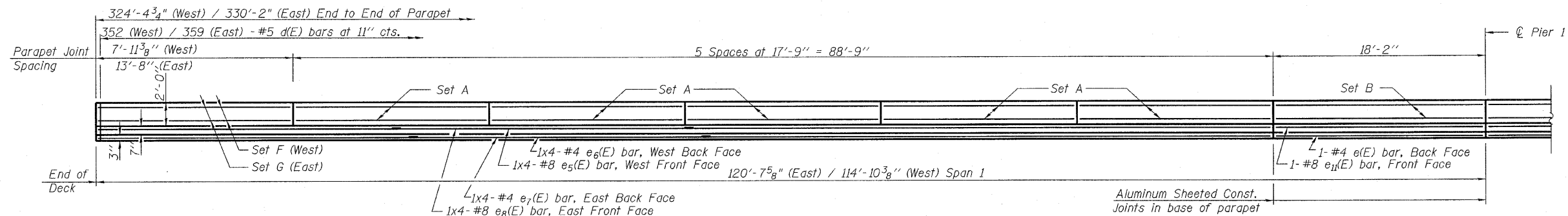
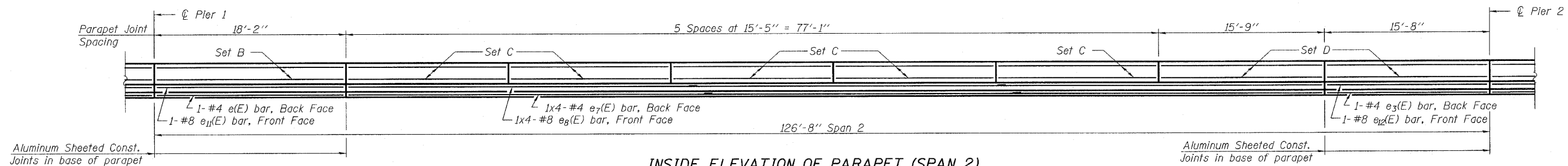


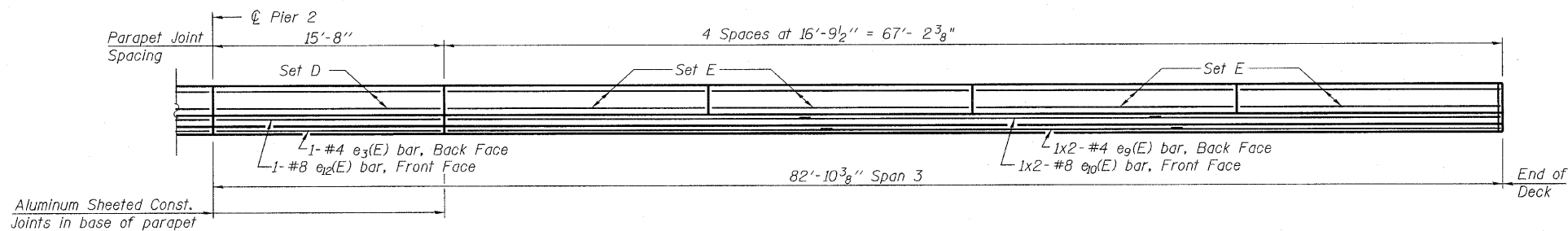
STATE OF ILLINOIS
DEPARTMENT OF TRANSPORTATION



INSIDE ELEVATION OF PARAPET (SPAN 1)
West Parapet Shown (East Parapet Similar)



INSIDE ELEVATION OF PARAPET (SPAN 2)
West Parapet Shown (East Parapet Similar)



INSIDE ELEVATION OF PARAPET (SPAN 3)
West Parapet Shown (East Parapet Similar)

BAR CALL OUTS

Set A: (5 Locations)
7-#4 e1(E) bars around perimeter
(See section thru parapet)

Set B: (2 Locations)
7-#4 e(E) bars around perimeter
(See section thru parapet)

Set C: (5 Locations)
7-#4 e2(E) bars around perimeter
(See section thru parapet)

Set D: (3 Locations)
7-#4 e3(E) bars around perimeter
(See section thru parapet)

Set E: (4 Locations)
7-#4 e4(E) bars around perimeter
(See section thru parapet)

Set F: (1 Locations)
7-#4 e5(E) bars around perimeter
(See section thru parapet)

Set F: (1 Locations)
7-#4 e4(E) bars around perimeter
(See section thru parapet)

Notes:
See Sheet 8 of 33 for Parapet Joint Details and Parapet Details/Reinforcement.
Bars indicated thus 1x4-#4 etc. indicates 1 line of bars with 4 lengths per line.
Min. lap length for #4 bars = 1'-9", #8 bars = 4'-6".
If bar lengths are long, increase lap length before cutting bar.

DESIGNED	PRD
CHECKED	KPS
DRAWN	PRD
CHECKED	KPS

rjngroup
Excellence through Ownership
200 West Front Street
Wheaton, IL 60187
PH. 630.652.4700

SHEET NO. 10 OF 33 SHEETS	F.A.P. & F.A.U. RTE. & RTE.	SECTION	COUNTY	TOTAL SHEETS	SHEET NO.
	303 5146	1-HBR & 1-2HB-D	WINNEBAGO	216	126
CONTRACT NO. 64B79					
FED. ROAD DIST. NO. 2 ILLINOIS FED. AID PROJECT					

SUPERSTRUCTURE DETAILS (PARAPET)
STRUCTURE NO. 101-0123