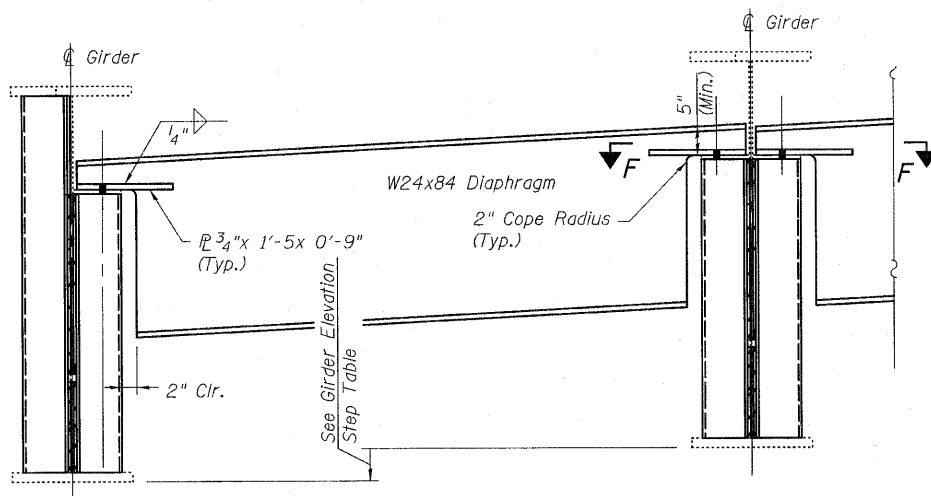
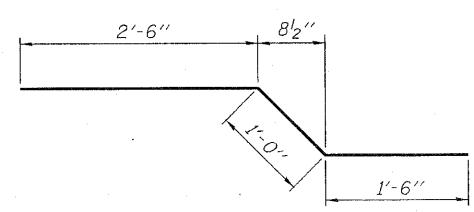


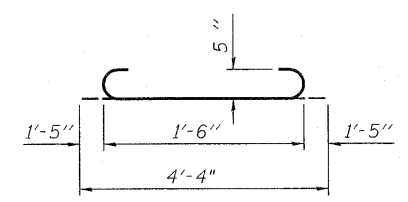
STATE OF ILLINOIS  
DEPARTMENT OF TRANSPORTATION



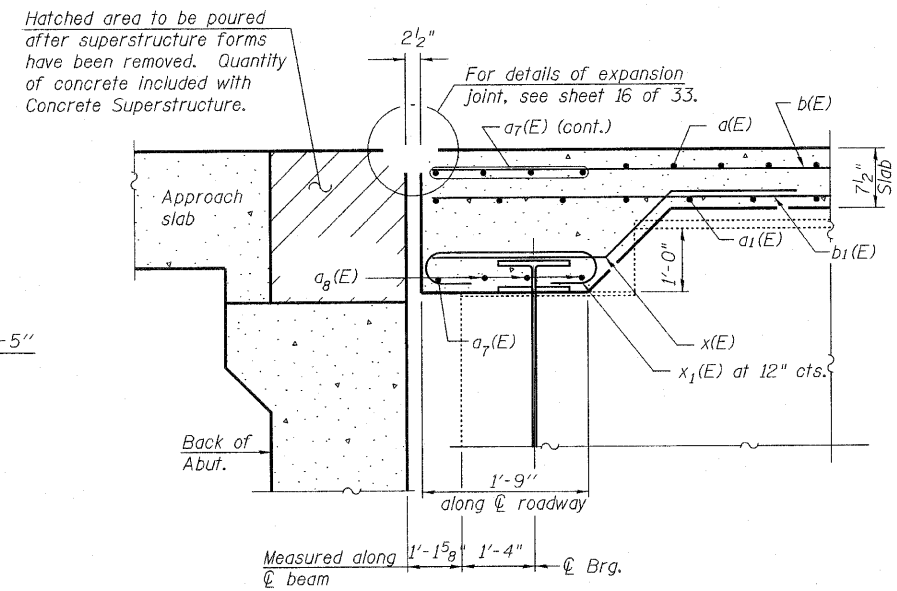
**ELEVATION**



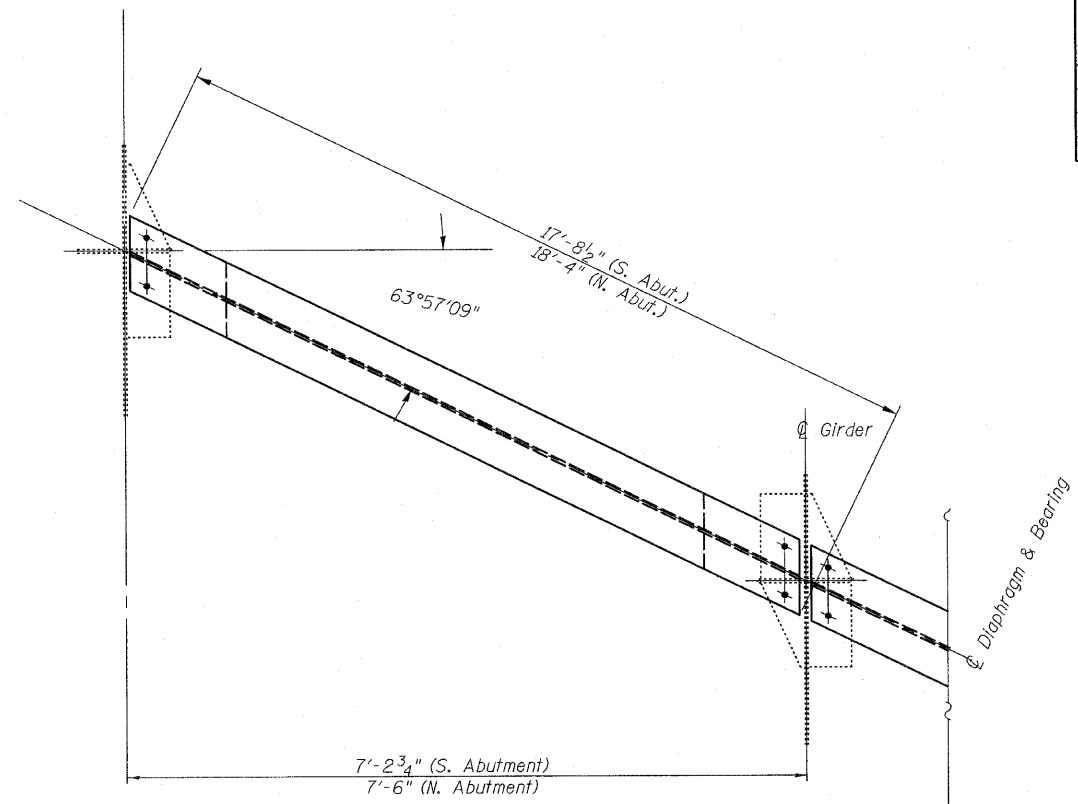
**BAR x(E)**



**BAR x1(E)**



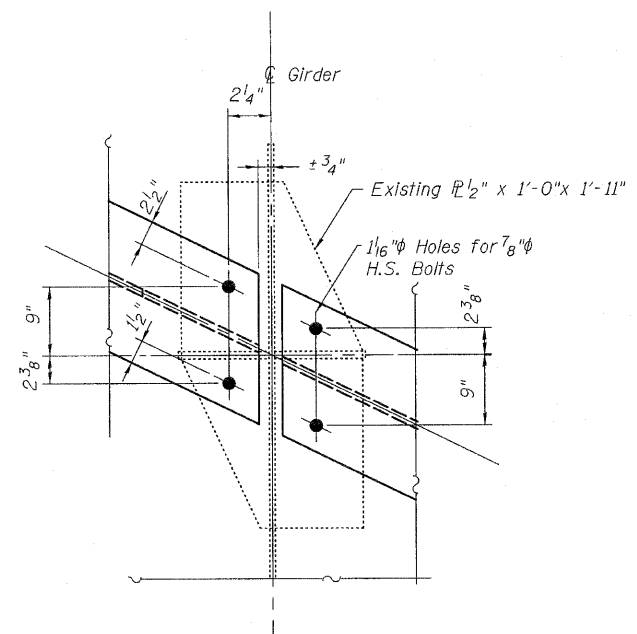
**SECTION A-A**



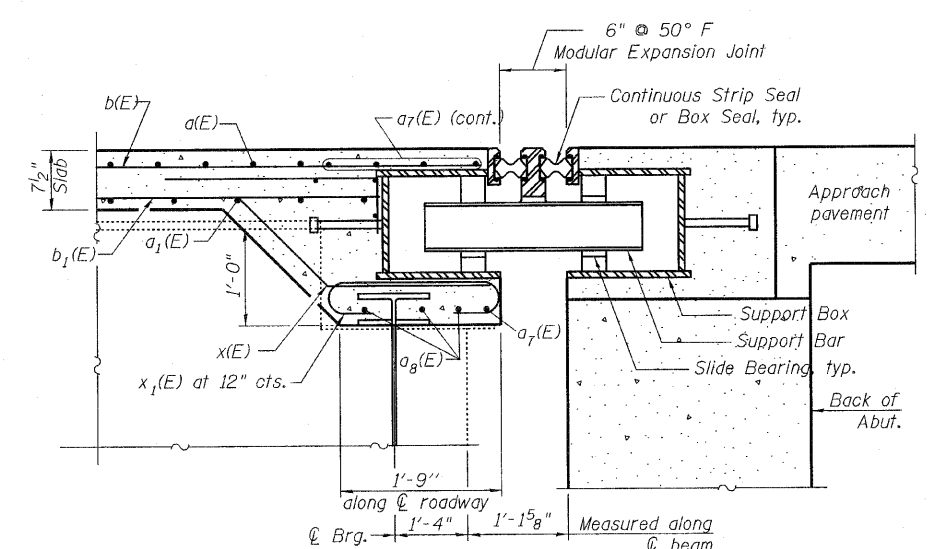
**PLAN**

Girder	S. Abutment Bearing seat Step	N. Abutment Bearing seat Step
1	6 1/8"	4 1/4"
2	7 7/8"	3 3/4"
3	7 7/8"	3 5/8"
4		

**Girder Elevation Step Table**



**SECTION F-F**



**SECTION D-D**

All Dimensions at Right Ls

**BILL OF MATERIAL**

Item	Unit	Total
Furnish & Erecting Structural Steel	Pound	9,083

Notes:  
a7(E) bars are continuous across the width of the entire deck.

**END DIAPHRAGM DETAILS  
STRUCTURE NO. 101-0123**

DESIGNED	PRD
CHECKED	RKM
DRAWN	PRD
CHECKED	RKM

**rjngroup**  
Excellence through Ownership  
200 West Front Street  
Wheaton, IL 60187  
PH. 630.682.4700

SHEET NO. 12 OF 33 SHEETS	F.A.P. & RTE.	F.A.U.	SECTION	COUNTY	TOTAL SHEETS	SHEET NO.
	303	5146	1-HBR & 1-2HB-D	WINNEBAGO	216	128
				CONTRACT NO. 64B79		
FED. ROAD DIST. NO. 2 ILLINOIS FED. AID PROJECT						