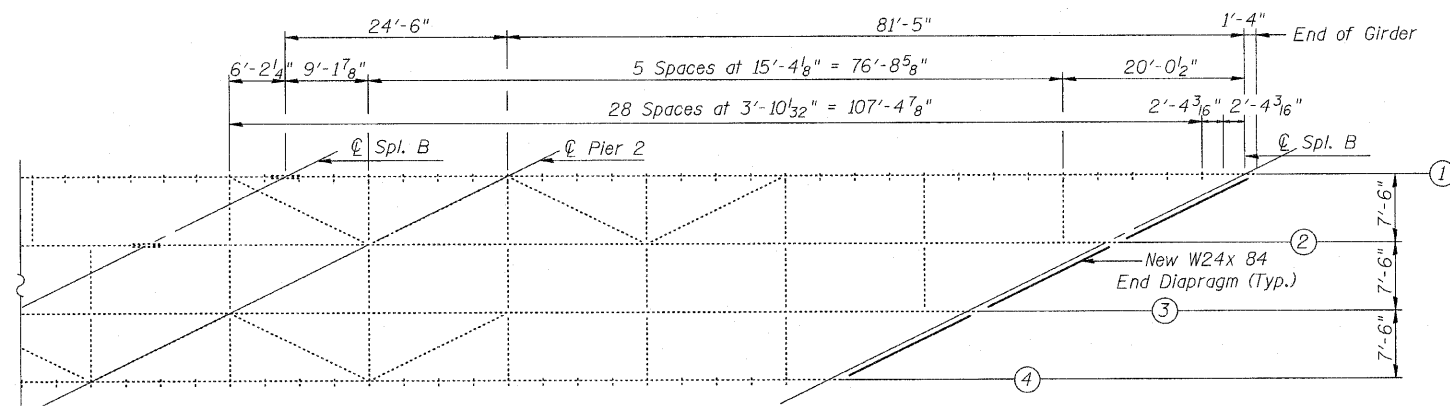
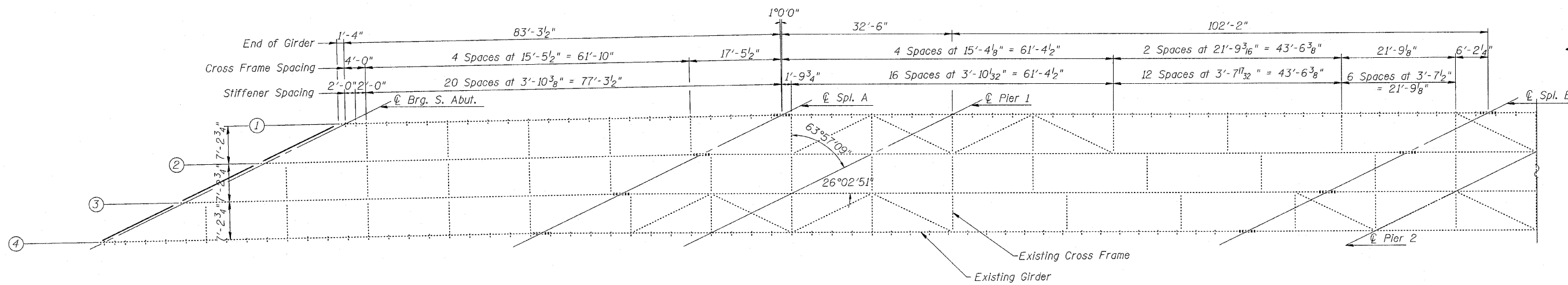
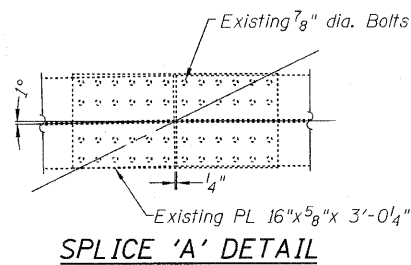


STATE OF ILLINOIS
DEPARTMENT OF TRANSPORTATION



FRAMING PLAN



DESIGNED PRD
CHECKED RKM
DRAWN PRD
CHECKED RKM

EXISTING FRAMING PLAN
STRUCTURE NO. 101-0123

rjngroup
Excellence through Ownership
200 West Front Street
Wheaton, IL 60187
PH. 630.682.4700

SHEET NO. 18 OF 33 SHEETS	F.A.P. & F.A.U. RTE. & RTE.	SECTION	COUNTY	TOTAL SHEETS	SHEET NO.
	303 5146	1-HBR & 1-2HB-D	WINNEBAGO	216	134
	CONTRACT NO. 64B79				
FED. ROAD DIST. NO. 2 ILLINOIS FED. AID PROJECT					