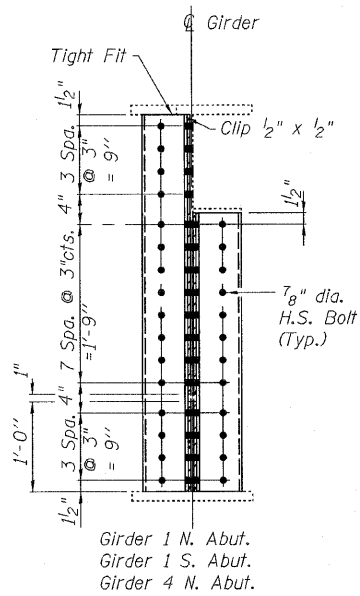
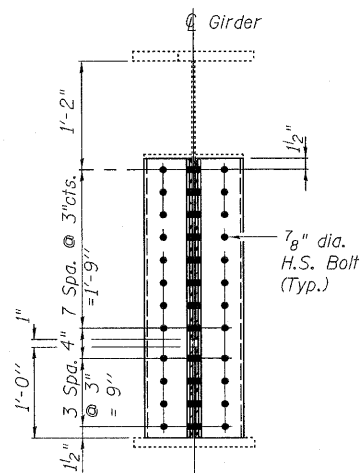


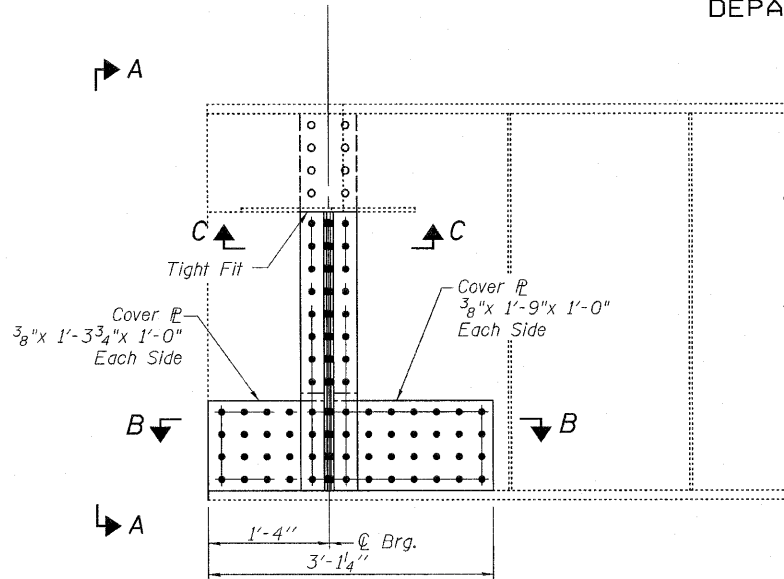
STATE OF ILLINOIS
DEPARTMENT OF TRANSPORTATION



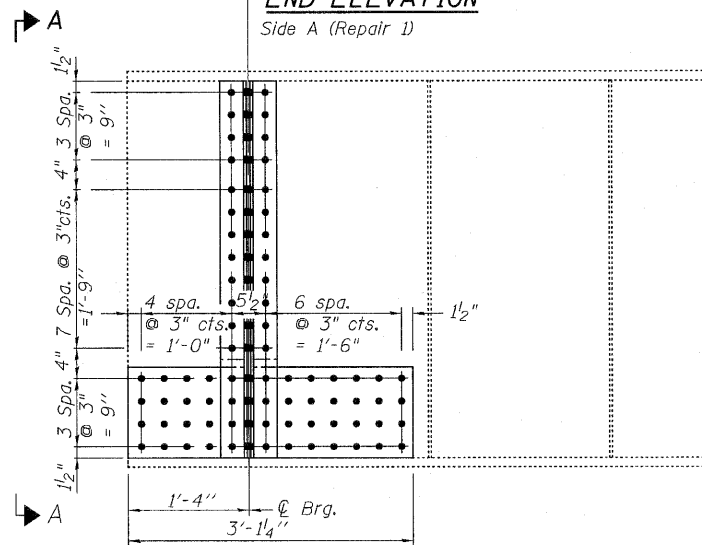
SECTION A-A
(Repair 1)



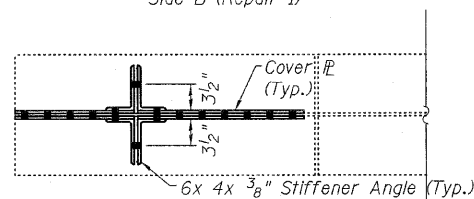
SECTION A-A
(Repair 1)



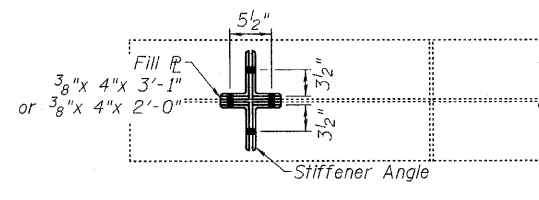
END ELEVATION
Side A (Repair 1)



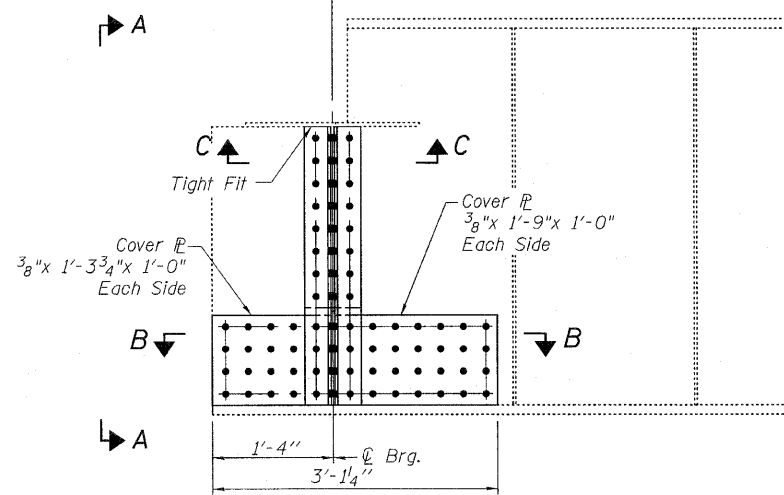
END ELEVATION
Side B (Repair 1)



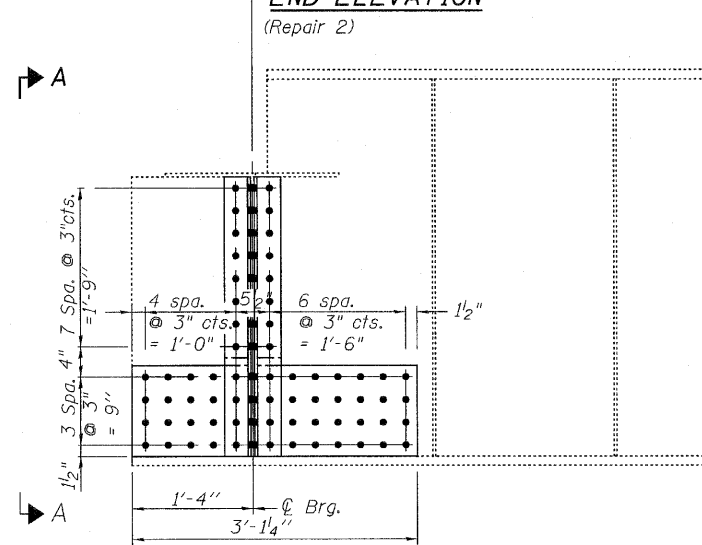
SECTION B-B
(Repair 1)



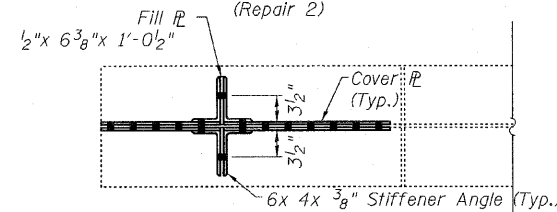
SECTION C-C
(Repair 1)



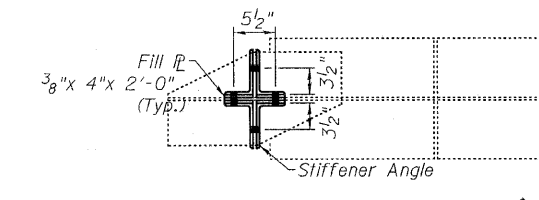
END ELEVATION
(Repair 2)



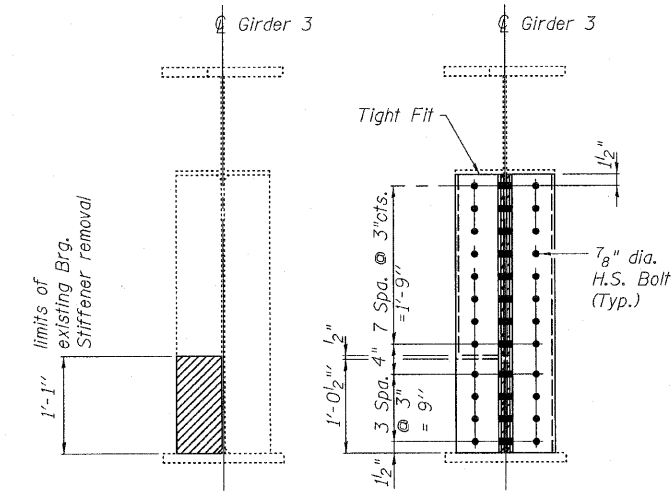
END ELEVATION
(Repair 2)



SECTION B-B
(Repair 2)



SECTION C-C
(Repair 2)



Removal Detail
(Repair 2)

SECTION A-A
(Repair 2)

- Repair 1. Provide Cover Plates to the following Girder Ends:
North Abutment Girder 1, 2 & 4.
South Abutment Girder 1
- Repair 2. Provide Cover Plates and Stiffener replacement to the following Girder Ends:
North Abutment Girder 3.
- Repair 3. Provide Cover Plates, Web and Stiffener replacement to the following Girder Ends:
South Abutment Girder 2, 3 & 4.

BILL OF MATERIAL

Item	Unit	Total
Structural Steel Repair	Pound	3,223

PLATE GIRDER
REPAIR DETAILS (1 of 2)
STRUCTURE NO. 101-0123

DESIGNED	PRD
CHECKED	KPS
DRAWN	PRD
CHECKED	KPS

rjngroup
Excellence through Ownership
200 West Front Street
Wheaton, IL 60187
PH. 630.682.4700

SHEET NO. 20 OF 33 SHEETS	F.A.P. & F.A.U. RTE. & RTE.	SECTION	COUNTY	TOTAL SHEETS	SHEET NO.
	303 5146	1-HBR & 1-2HB-D	WINNEBAGO	216	136
	CONTRACT NO. 64B79				
FED. ROAD DIST. NO. 2 ILLINOIS FED. AID PROJECT					