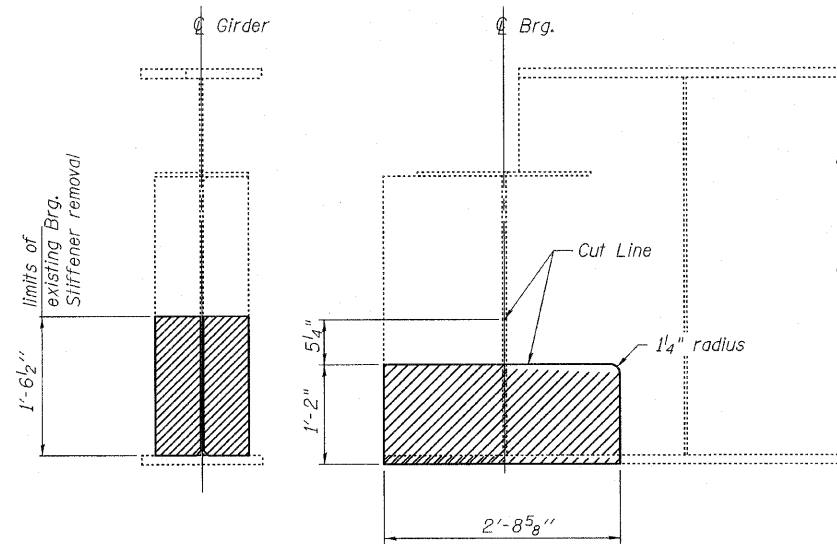
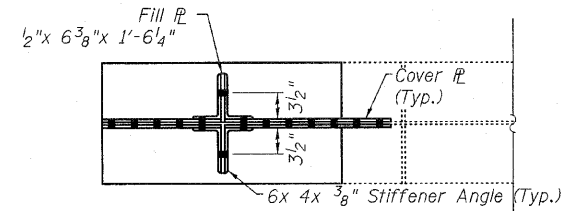


STATE OF ILLINOIS
DEPARTMENT OF TRANSPORTATION



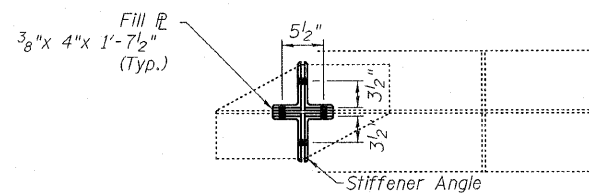
REMOVAL DETAIL

(Repair 3) Girders 2 & 3 S. Abut. Shown
Girder 4 S. Abut. Similar.



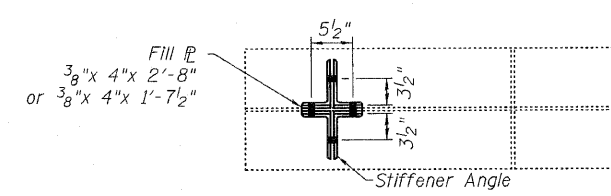
SECTION B-B

(Repair 3)



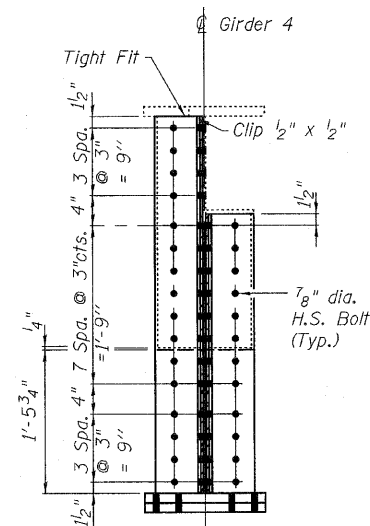
SECTION C-C

(Repair 3) Girders 2 & 3 S. Abut.



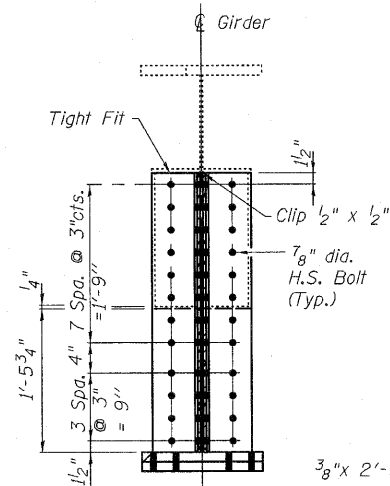
SECTION C-C

(Repair 3) Girder 4 S. Abut.



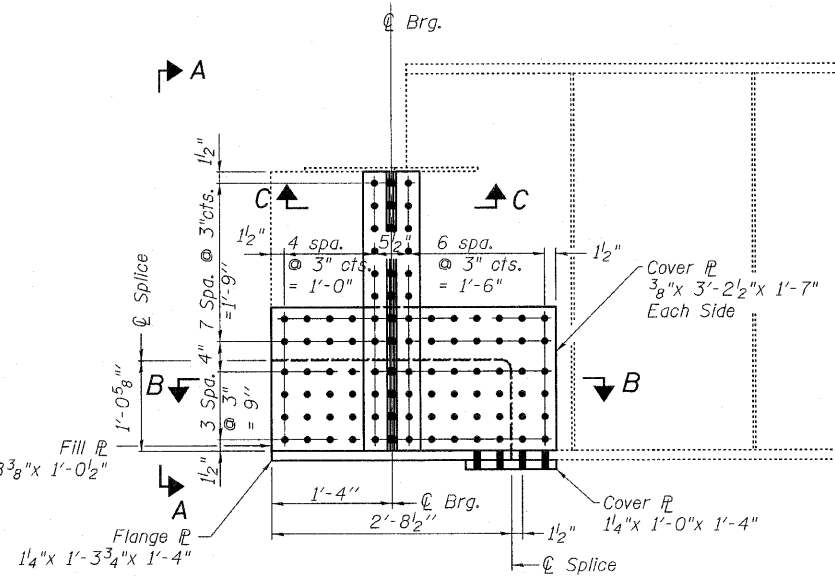
SECTION A-A

(Repair 3) Girder 4 S. Abut.



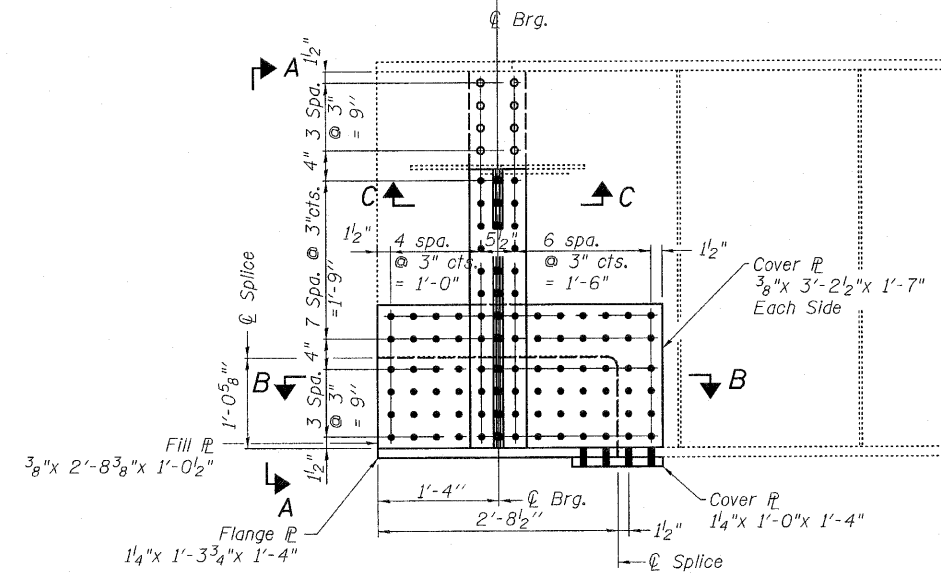
SECTION A-A

(Repair 3) Girders 2 & 3 S. Abut.



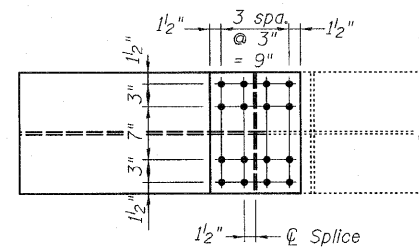
END ELEVATION

(Repair 3) Girders 2 & 3 S. Abut.



END ELEVATION

(Repair 3) Girder 4 S. Abut.



BOTTOM PLAN

(Repair 3)

DESIGNED	PRD
CHECKED	KPS
DRAWN	PRD
CHECKED	KPS

**PLATE GIRDER
REPAIR DETAILS (2 of 2)
STRUCTURE NO. 101-0123**

rjngroup
Excellence through Ownership
200 West Front Street
Wheaton, IL 60187
PH. 630.682.4700

SHEET NO. 21 OF 33 SHEETS	F.A.P. & F.A.U. RTE. & RTE.	SECTION	COUNTY	TOTAL SHEETS	SHEET NO.
	303 5146	1-HBR & 1-2HB-D	WINNEBAGO	216	137
	CONTRACT NO. 64B79				
FED. ROAD DIST. NO. 2 ILLINOIS FED. AID PROJECT					