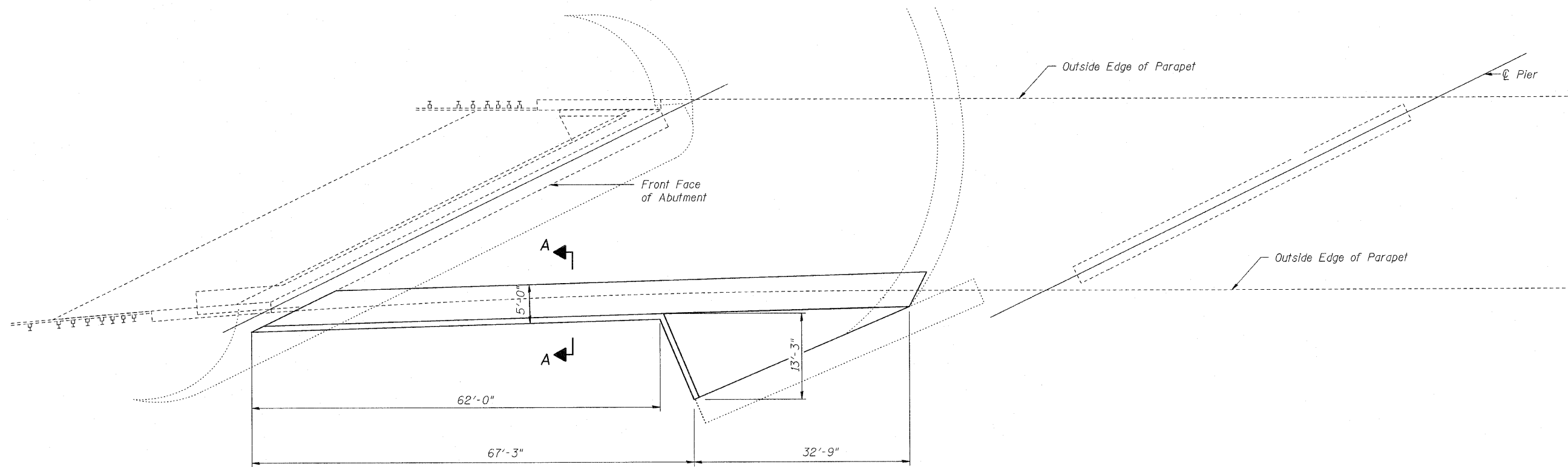
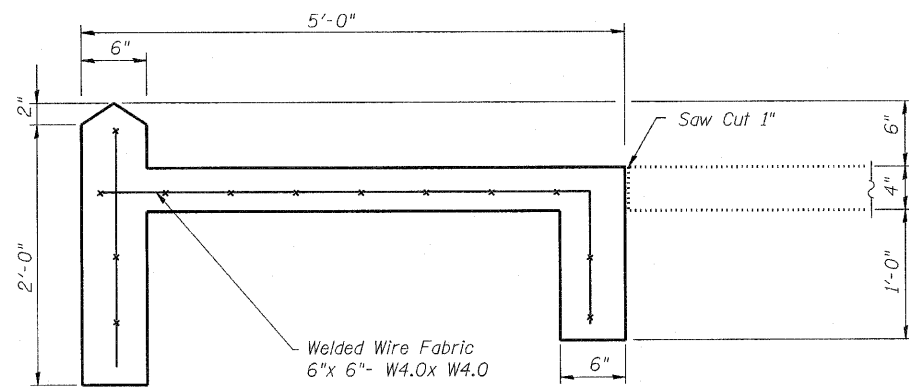


STATE OF ILLINOIS
DEPARTMENT OF TRANSPORTATION



PLAN
South Slopewall Shown, North Slopewall Similar.



SECTION A-A

BILL OF MATERIAL

ITEM	UNIT	QUANTITY
Slope Wall Removal	Sq. Yds.	168
Slopewall, 4"	Sq. Yds.	160

Elevations and dimensions are obtained from the existing plans. The Contractor shall verify these elevations and dimensions before ordering material.

**SLOPEWALL REPAIR PLAN
STRUCTURE NO. 101-0123**

DESIGNED	PRD
CHECKED	RKM
DRAWN	PRD
CHECKED	RKM

rjngroup
Excellence through Ownership
200 West Front Street
Wheaton, IL 60187
PH. 630.682.4700

SHEET NO. 32 OF 33 SHEETS	F.A.P. & F.A.U. RTE. & RTE.	SECTION	COUNTY	TOTAL SHEETS	SHEET NO.
	303 5146	1-HBR & 1-2HB-D	WINNEBAGO	216	148
FED. ROAD DIST. NO. 2 ILLINOIS FED. AID PROJECT				CONTRACT NO. 64B79	