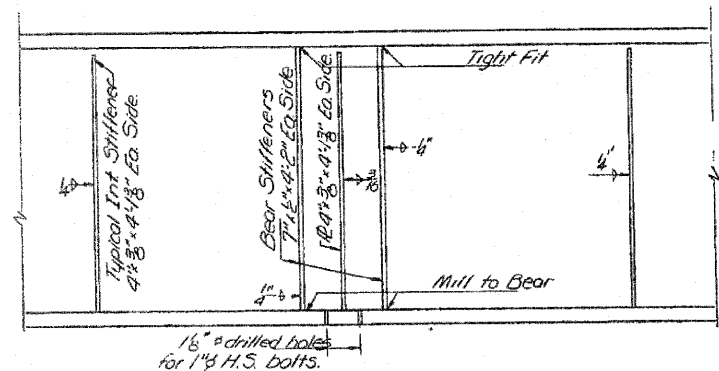
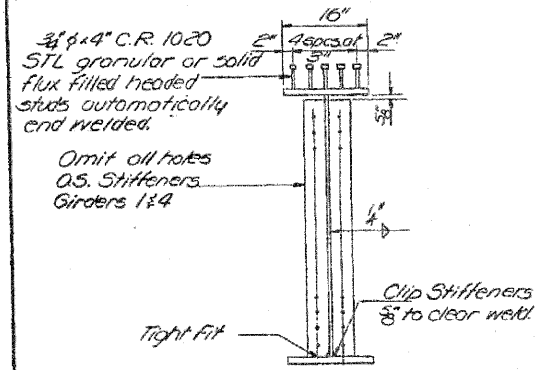
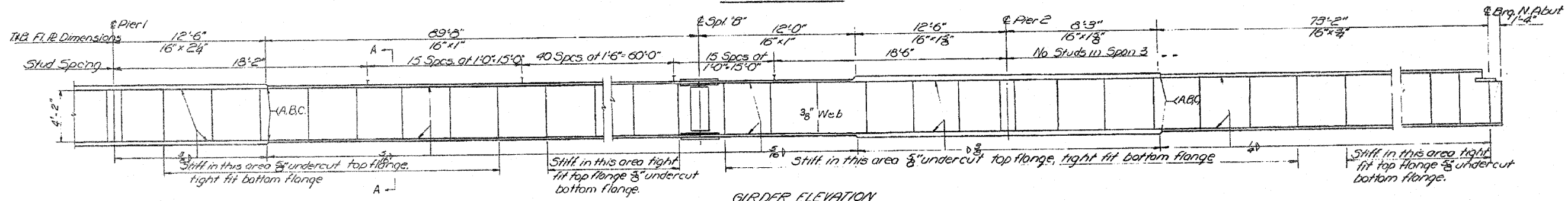
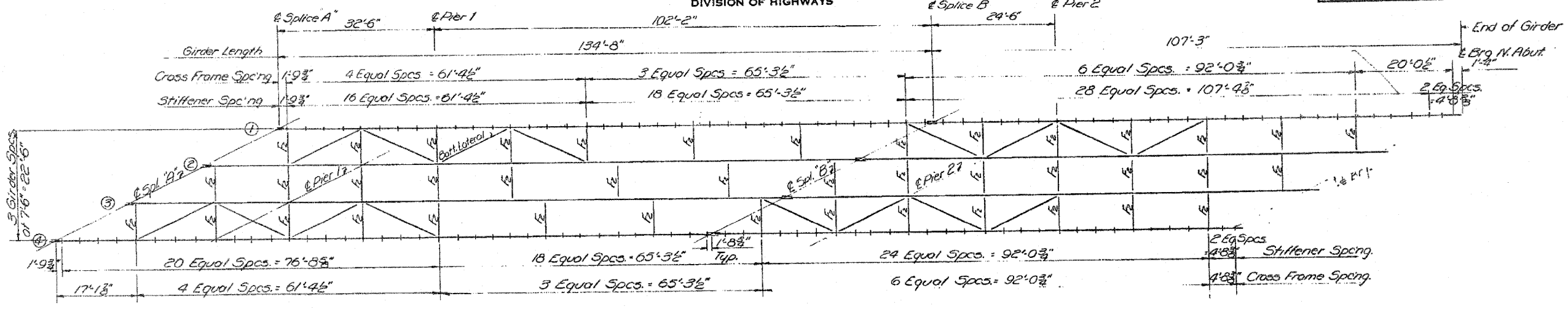


STATE OF ILLINOIS  
DEPARTMENT OF PUBLIC WORKS & BUILDINGS  
DIVISION OF HIGHWAYS

ROUTE NO.	SECTION	COUNTY	TOTAL SHEETS	SHEET NO.
188	1-2HB	WINNEBAGO	187	122

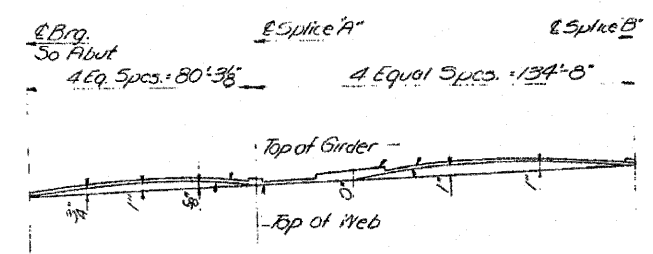
16 SHEETS



Note: Splice "B" same as Splice "A" except web splice plates are not bent.

TOP OF WEB ELEVATIONS

	Gird. No. 1	Gird. No. 2	Gird. No. 3	Gird. No. 4
Brg. So. Abut.	743.57	743.36	742.41	741.75
Splice "A"	744.01	743.86	743.60	743.33
Pier 1	743.92	743.85	743.69	743.43
Splice "B"	743.64	743.51	743.96	744.08
Pier 2	743.35	743.56	743.75	743.91
Brg. No. Abut.	742.32	742.67	742.79	743.29



INFORMATION ONLY

SPANS 2&3  
STRUCTURAL STEEL  
FA RTE 188 SEC 1-2HB  
WINNEBAGO COUNTY  
STA: 638+32.18

ROUTE FAP 303 (IL 251) & FAU 5146 (FOREST HILLS ROAD)	SECTION 1-HB & 1-2-HB-D	COUNTY WINNEBAGO	SHEET 167 OF 216
CONTRACT 64B79			

DESIGNED C. Carwell	EXAMINED A. J. Thuman
CHECKED T. M. W. Gault	PASSED H. J. Quinn
DRAWN R. Ferrando	APPROVED W. E. Hill
CHECKED T. M. W. Gault	

APRIL 20 1966