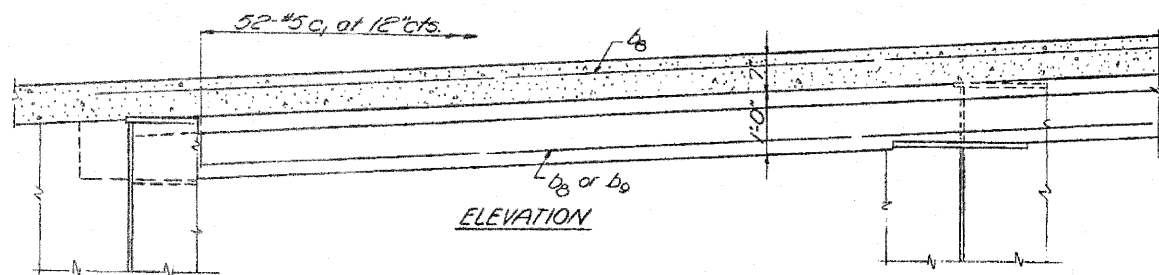
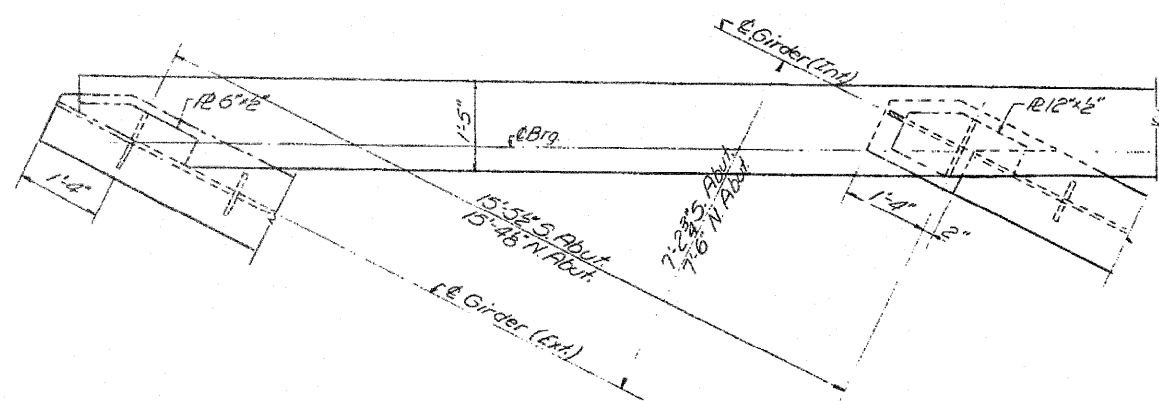


STATE OF ILLINOIS
DEPARTMENT OF PUBLIC WORKS & BUILDINGS
DIVISION OF HIGHWAYS

| ROUTE NO. | SECTION | COUNTY | TOTAL SHEETS | SHEET NO. | SHEET NO. OF SHEETS |
|-----------|---------|-----------|--------------|-----------|---------------------|
| P.A. 188 | 1-248 | WINNEBAGO | 187 | 123 | 16 SHEETS |

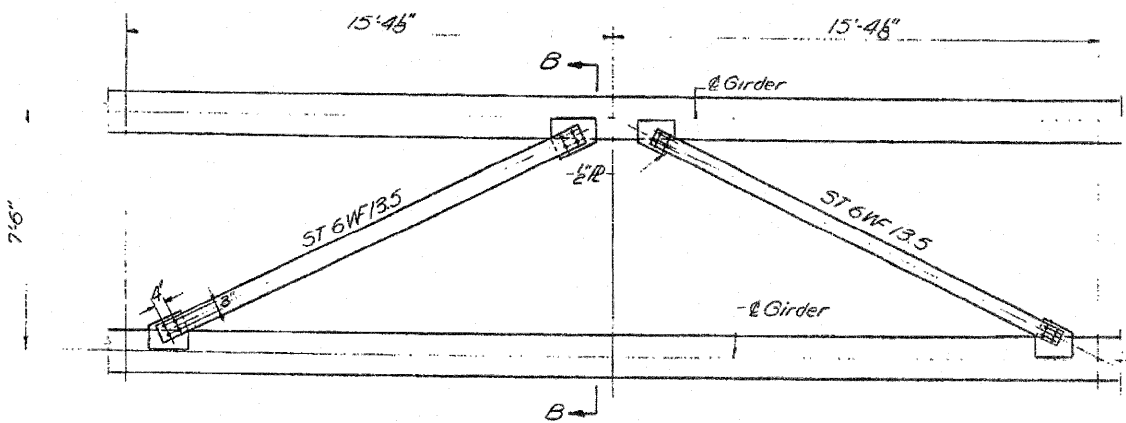


ELEVATION

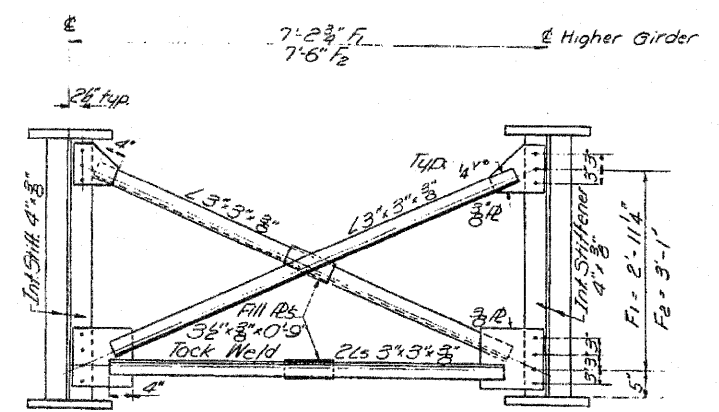


PLAN

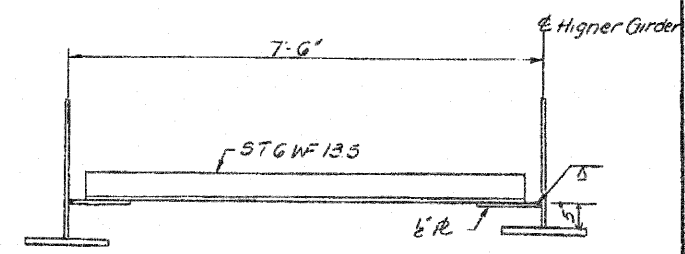
DETAILS AT END BEAMS
(SEE SEC AT ABUT - SHEET 9)



BOTTOM LATERALS (TYPICAL)
16 Req'd



FRAME F1 & F2
15 F. Req'd
42 # Req'd



SECTION B-B

INFORMATION ONLY

| | | | |
|----------|----------------------|----------|--------------------|
| DESIGNED | <i>C. A. Dornell</i> | APPROVED | <i>V. E. Sted</i> |
| CHECKED | <i>Tom M. Gault</i> | EXAMINED | <i>C. J. Thumm</i> |
| DRAWN | <i>R. Ferrarotto</i> | PASSED | <i>H. J. ...</i> |
| CHECKED | <i>Tom M. Gault</i> | APPROVED | <i>V. E. Sted</i> |

April 20 1966

| | | | |
|-------------------------------------------------|------------------|-----------|------------|
| ROUTE | SECTION | COUNTY | SHEET |
| FAP 303 (IL 251) & FAU 5146 (FOREST HILLS ROAD) | 1-HBR & 1-2-HB-D | WINNEBAGO | 168 OF 216 |
| CONTRACT | | 64B79 | |

END BEAMS
CROSS FRAMES & BOTTOM LATERALS
F.A. RIE 188 SEC 1-248
WINNEBAGO COUNTY
STATION 688+32.18