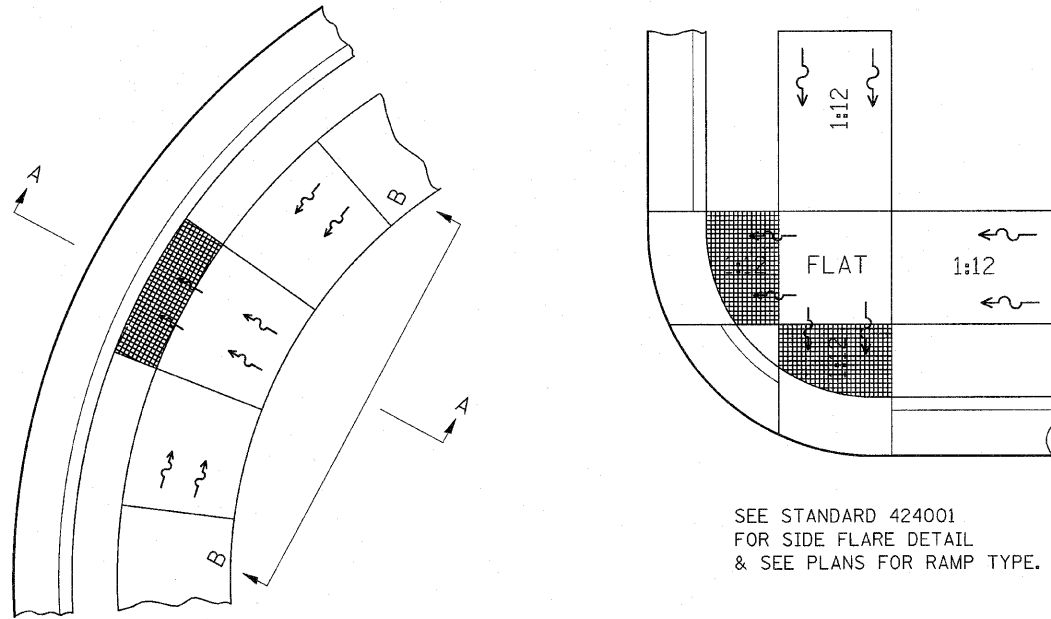
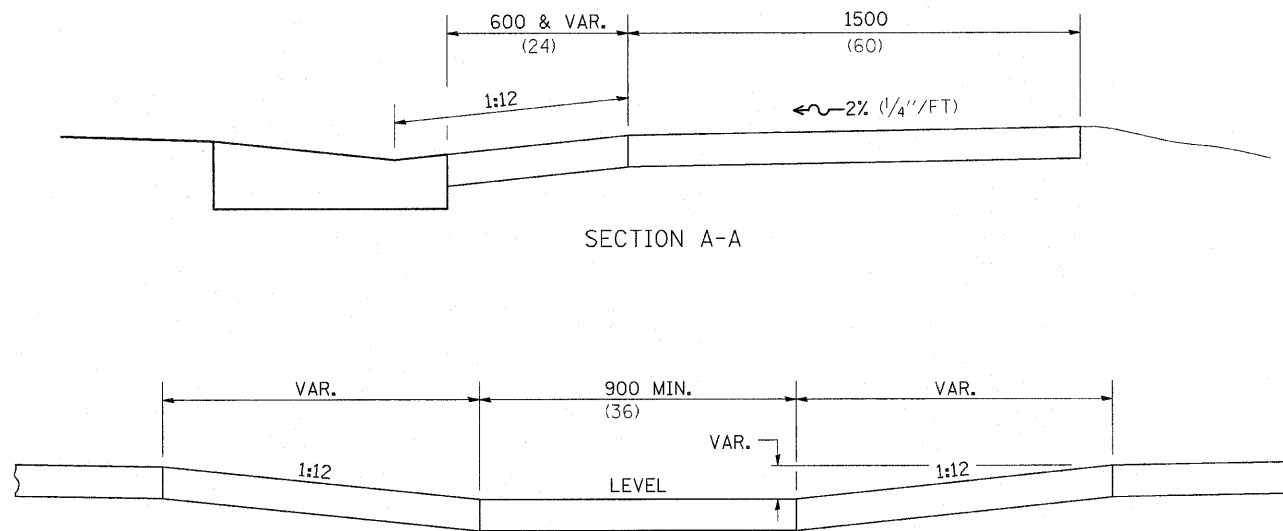


DISABLED RAMP DETAIL



SEE STANDARD 424001 FOR SIDE FLARE DETAIL & SEE PLANS FOR RAMP TYPE.

ALL DIMENSIONS ARE IN MILLIMETERS (INCHES) UNLESS OTHERWISE NOTED.



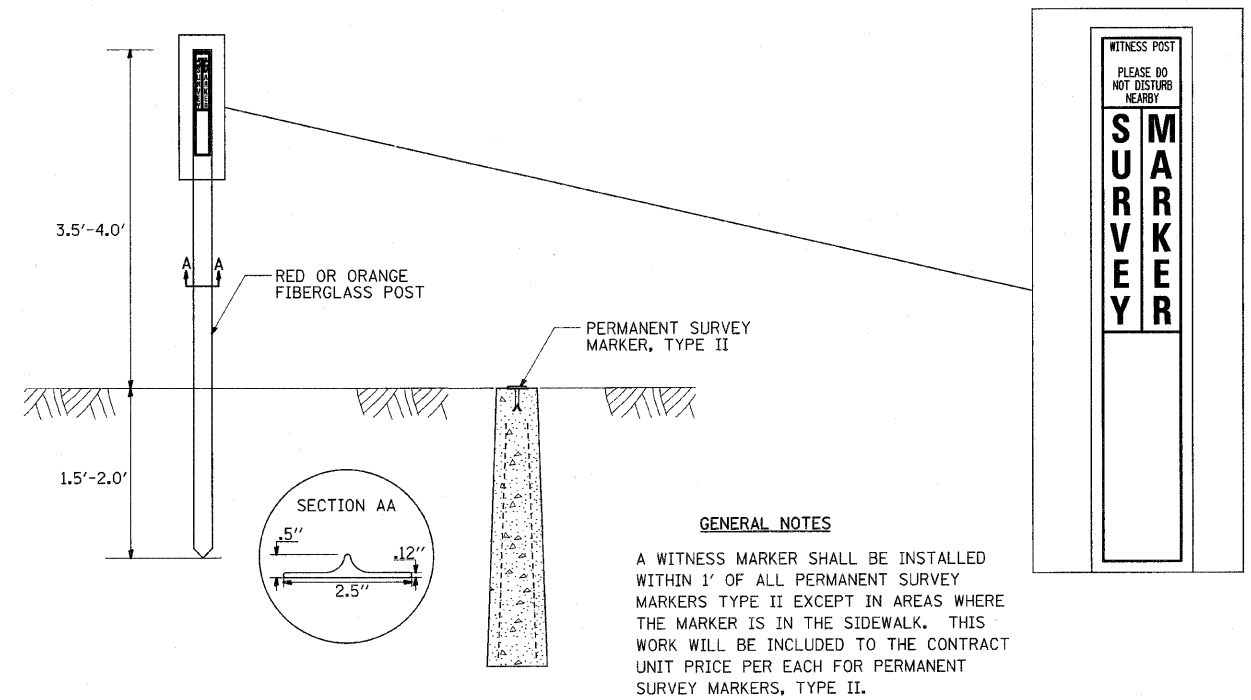
SECTION A-A

SECTION B-B

NOTES : THIS DETAIL TO BE USED IN CONJUNCTION WITH STATE STANDARD 424001. THE MAXIMUM ALLOWABLE CROSS SLOPE FOR SIDEWALK IS 2% (1/4" / FT) . THE MAXIMUM ALLOWABLE SIDEWALK GRADE IS 8% (1/2" / FT) . IF SPACE LIMITATIONS PROHIBIT THE USE OF THE 1:12 SLOPE, THEN SLOPES BETWEEN 1:10 ARE 1:12 ARE PERMITTED FOR A MAXIMUM RISE OF 150 (6) . SLOPES 1:8 AND 1:10 ARE ALLOWED FOR A MAXIMUM RISE OF 75 (3) . SLOPES STEEPER THAN 1:8 ARE NOT PERMITTED. THE DEPRESSED CURB IS NOT STANDARD. THE RISE IS 13(1/2) INSTEAD OF 40(1 1/2) .

REVISED - 9-19-05

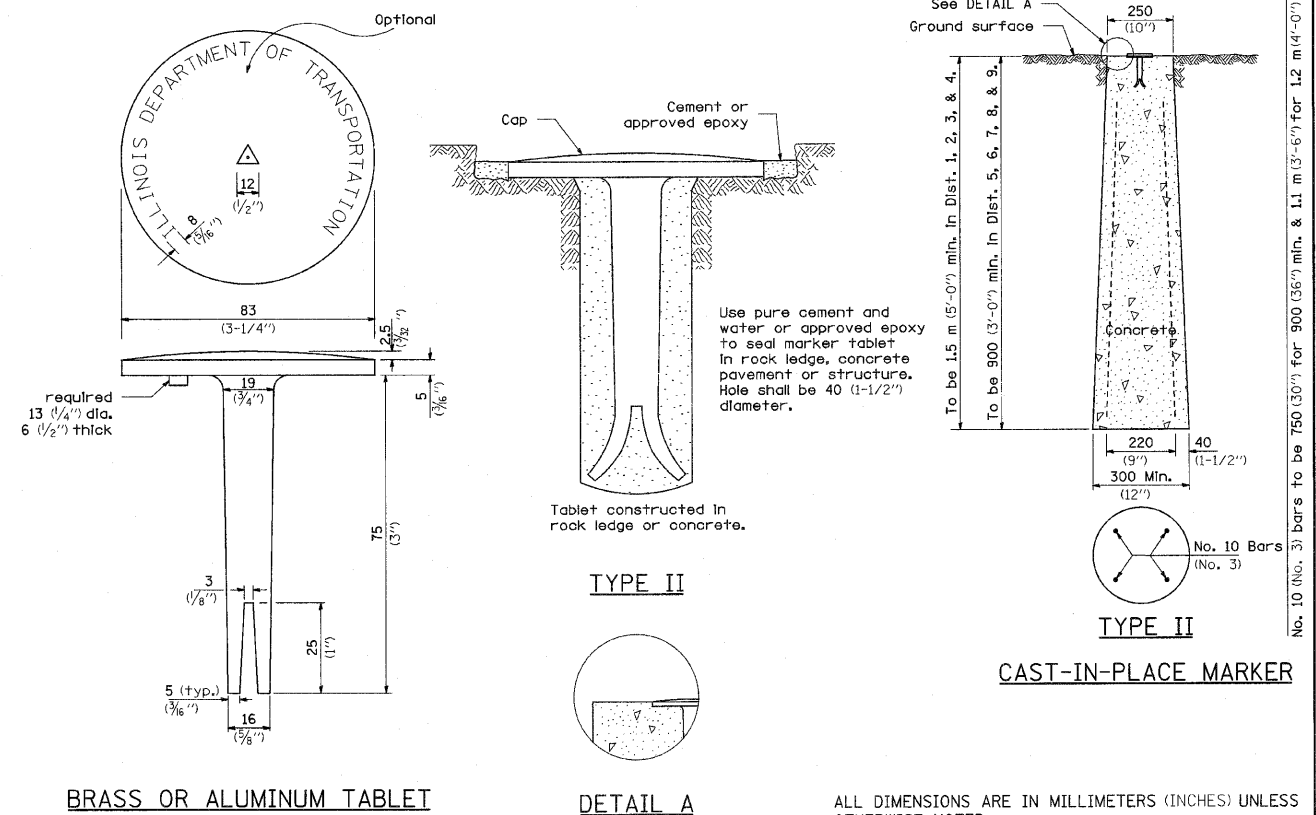
WITNESS MARKER FOR PERMANENT SURVEY MARKERS, TYPE II



GENERAL NOTES

A WITNESS MARKER SHALL BE INSTALLED WITHIN 1' OF ALL PERMANENT SURVEY MARKERS TYPE II EXCEPT IN AREAS WHERE THE MARKER IS IN THE SIDEWALK. THIS WORK WILL BE INCLUDED TO THE CONTRACT UNIT PRICE PER EACH FOR PERMANENT SURVEY MARKERS, TYPE II.

PERMANENT SURVEY MARKERS, TYPE II



BRASS OR ALUMINUM TABLET

DETAIL A

TYPE II

TYPE II

CAST-IN-PLACE MARKER

ALL DIMENSIONS ARE IN MILLIMETERS (INCHES) UNLESS OTHERWISE NOTED.

REVISED - 10-21-08	REGION 2 / DISTRICT 2 STANDARD		F.A. RTE.	SECTION	COUNTY	TOTAL SHEETS	SHEET NO.
REVISED -				1-HBR & 1-2HB-D	WINNEBAGO	216	178
REVISED -			CONTRACT NO. 64B79				
REVISED -	SCALE: 50.0000 / IN SHEET NO. OF SHEETS STA. TO STA.		FED. ROAD DIST. NO. ILLINOIS FED. AID PROJECT				