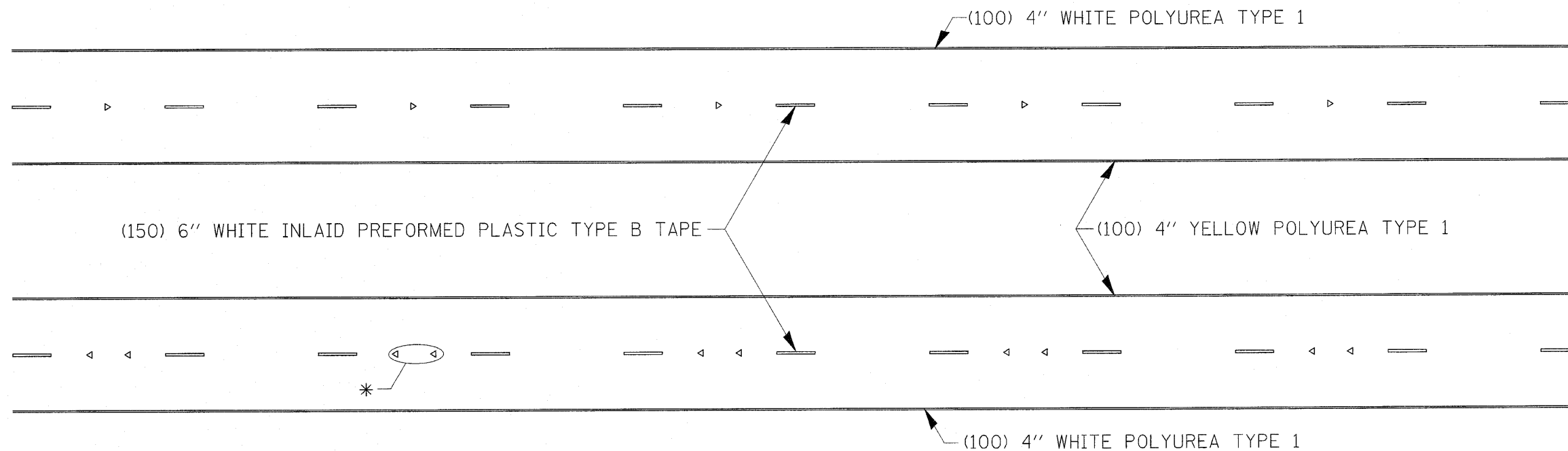
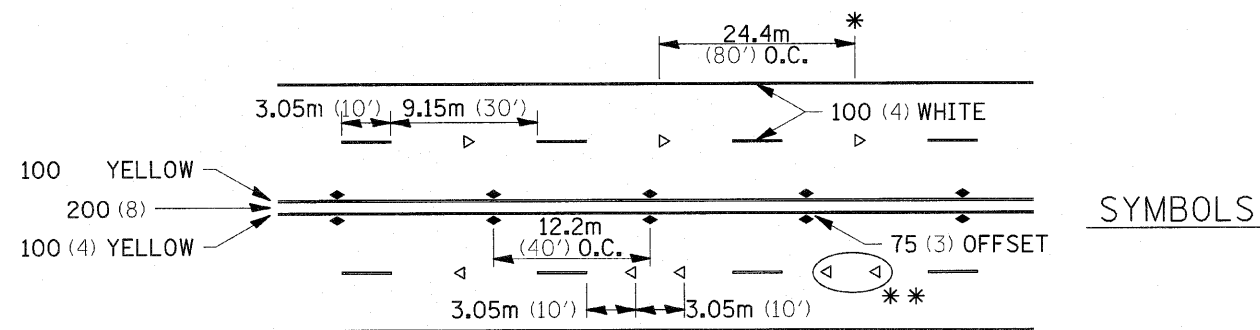


# TYPICAL PAVEMENT MARKINGS



\* SEE HIGHWAY STANDARD 781001 FOR SPACING DETAILS.  
USE DOUBLE MARKERS WHEN ADT ≥ 25,000.

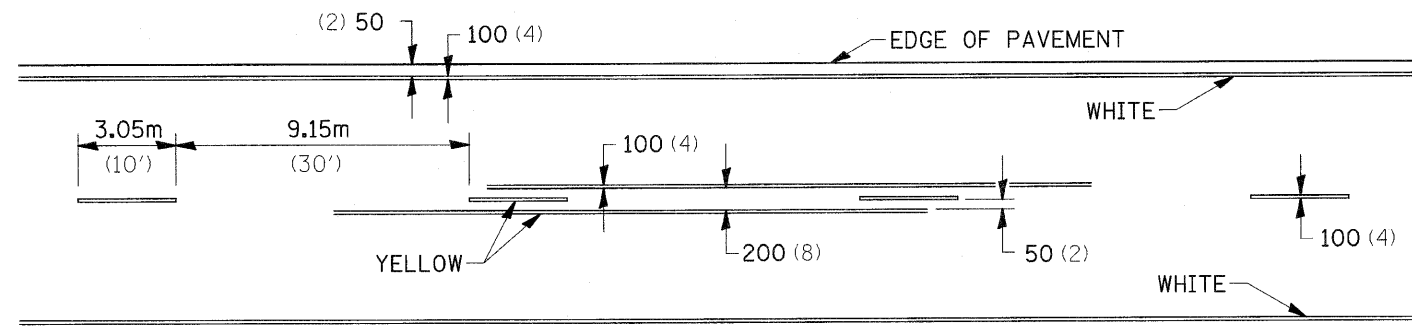
## MULTI-LANE / DIVIDED



\* REDUCE TO 12.2m (40') O.C. ON CURVES WHERE ADVISORY SPEEDS ARE 15Km/H (10MPH) LOWER THAN POSTED SPEEDS.  
\*\* USE DOUBLE MARKERS WHEN ADT ≥ 25,000

## MULTI-LANE / UNDIVIDED

## TYPICAL PAVEMENT MARKING FOR TWO LANE SECTION - NO PASSING ZONES



FILE NAME =	USER NAME = goffjl	DESIGNED -	REVISED - 10-21-08	<b>STATE OF ILLINOIS DEPARTMENT OF TRANSPORTATION</b>	<b>REGION 2 / DISTRICT 2 STANDARD</b>	F.A. RTE.	SECTION	COUNTY	TOTAL SHEETS	SHEET NO.
cd\ps_work\pindot\goffjl\dms41657\d214405-shr-cover.dgn	DRAWN -	REVISED -	1-HBR & 1-2HB-D			WINNEBAGO	216	184		
PLOT SCALE = 50.0000 / IN.	CHECKED -	REVISED -	CONTRACT NO. 64B79							
PLOT DATE = Tue Aug 31 11:19:11 2010	DATE -	REVISED -	FED. ROAD DIST. NO. ILLINOIS FED. AID PROJECT							
SCALE: SHEET NO. OF SHEETS STA. TO STA.						F.A.P. 303 & P. 111, 1146				