

SEQUENCE OF WORK

PRE-STAGE 1

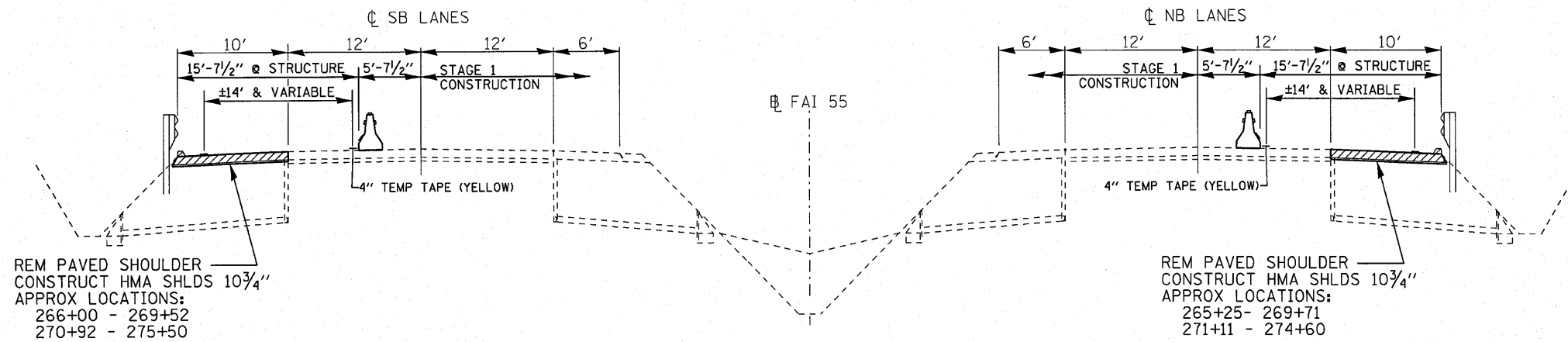
CONSTRUCT 10 3/4" HMA SHOULDERS FOR STAGING OF TRAFFIC
 REMOVE INLET & PIPE DRAINS (NEAR STRUCTURE) FOR STAGING OF TRAFFIC
 USE REMOVE & RE-ERECT GUARDRAIL ELEMENT

STAGE 1

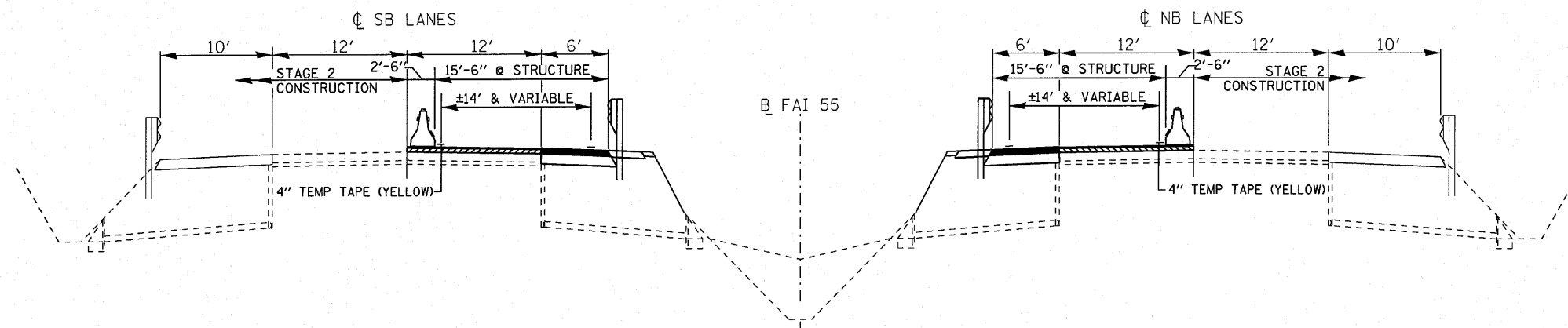
RUN TRAFFIC ON NEW HMA SHOULDERS
 CONSTRUCT THE FOLLOWING:
 PROPOSED STRUCTURE
 PROPOSED POLYMERIZED BINDER COURSE (VAR. DEPTH)
 PROPOSED POLYMERIZED SURFACE COURSE
 PROPOSED HMA SHOULDERS 10 3/4"
 PROPOSED HMA SHOULDERS (VAR. DEPTH)
 PROPOSED HMA SHOULDERS 6" FOR GUARDRAIL
 PROPOSED GUARDRAIL

STAGE 2

RUN TRAFFIC ON NEW STRUCTURE & HMA PAVEMENT
 CONSTRUCT THE FOLLOWING:
 PROPOSED STRUCTURE
 PROPOSED POLYMERIZED BINDER COURSE (VAR. DEPTH)
 PROPOSED POLYMERIZED SURFACE COURSE
 PROPOSED HMA SHOULDERS (VAR. DEPTH)
 PROPOSED CONCRETE CURB TYPE B
 PROPOSED HMA SHOULDERS 6" FOR GUARDRAIL
 PROPOSED GUARDRAIL



STAGE 1 TYPICAL



STAGE 2 TYPICAL

FILE NAME =	USER NAME = duncanbd	DESIGNED -	REVISED -	STATE OF ILLINOIS DEPARTMENT OF TRANSPORTATION	STAGING PLANS TYPICALS	F.A.I. RTE.	SECTION	COUNTY	TOTAL SHEETS	SHEET NO.
c:\pwork\pwork\duncanbd\dms58148\d36856-shr-staging.DGN	856-shr-staging.DGN	DRAWN -	REVISED -			55	(53-1)HBR & HBR-1	LIVINGSTON	102	15
PLT SCALE = 50,0000' / IN.	CHECKED -	REVISED -	REVISED -			CONTRACT NO. 66856				
PLT DATE = Aug 11, 2010 - 02:48:11 PM	DATE -	REVISED -	REVISED -			[ILLINOIS] FED. AID PROJECT				

SCALE: SHEET NO. 1 OF 5 SHEETS STA. TO STA.