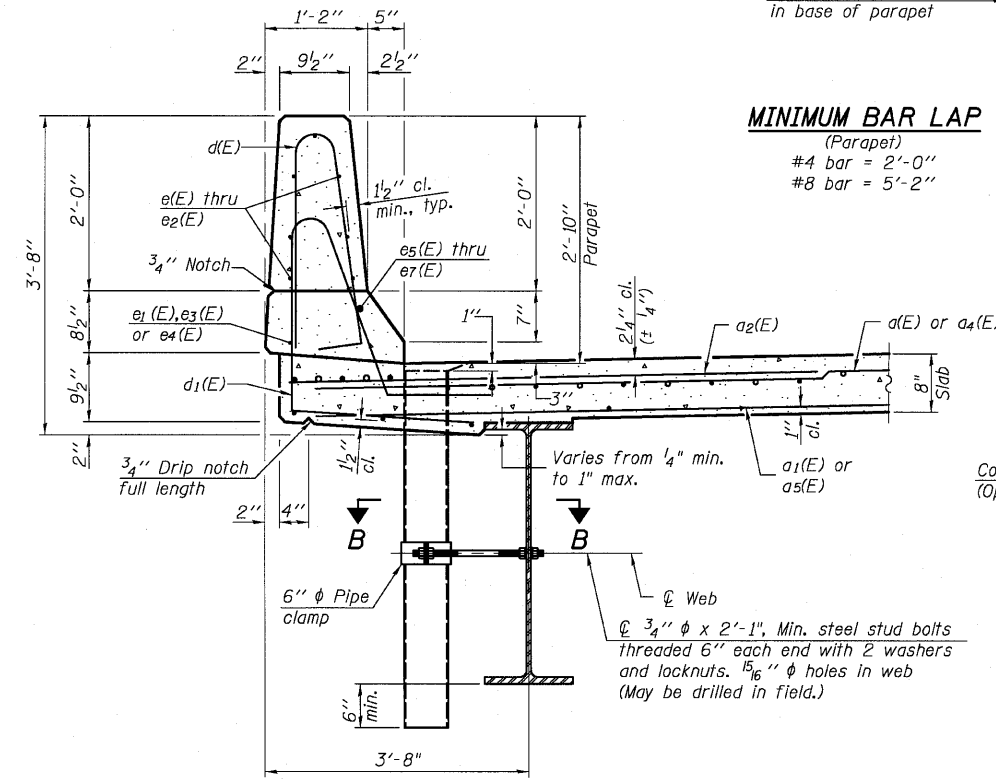
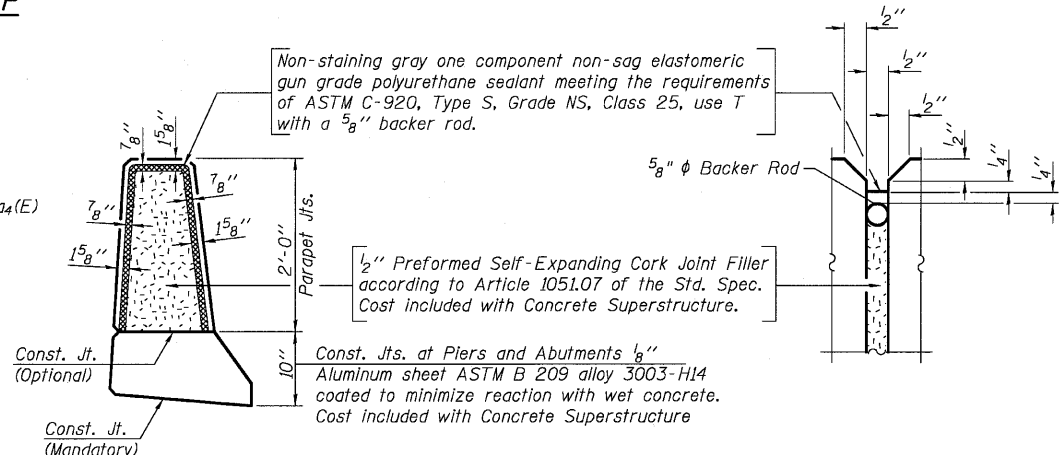


**INSIDE ELEVATION OF PARAPET**



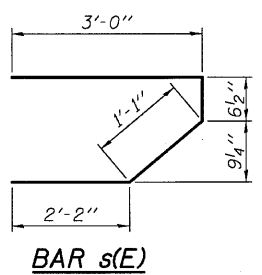
**SECTION THRU PARAPET**

**MINIMUM BAR LAP**  
(Parapet)  
#4 bar = 2'-0"  
#8 bar = 5'-2"

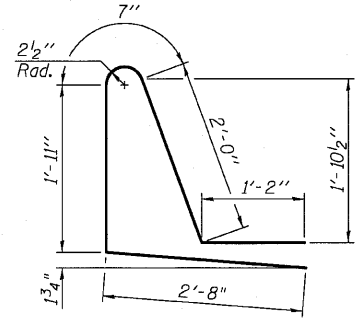


**PARAPET JOINT DETAILS**

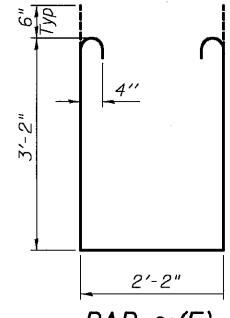
**Notes:**  
The exterior surfaces of the floor drains shall be painted with the finish coat as specified in the special provisions for Cleaning and Painting New Metal Structures. The exterior surfaces of the drains shall be cleaned according to Society of Protective Coatings Spec. SSPC-SP1 prior to painting.  
Fiberglass pipe shall conform to ASTM D 2996, with short-time rupture strength hoop tensile stress of 30,000 p.s.i. minimum.  
Galvanize clamping device according to AASHTO M232. Cost of clamping device and inserts is included with Floor Drains.



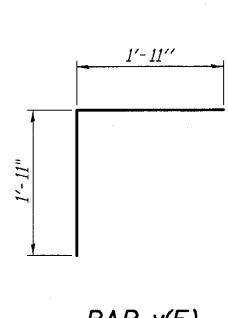
**BAR s(E)**



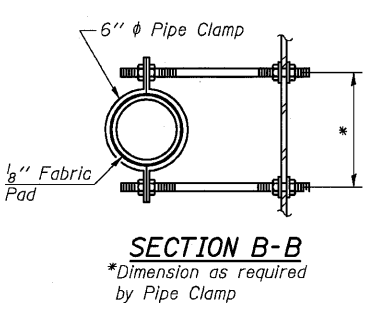
**BAR d1(E)**



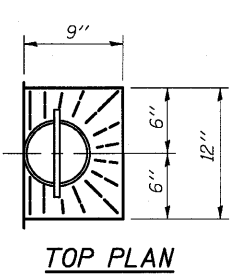
**BAR s1(E)**



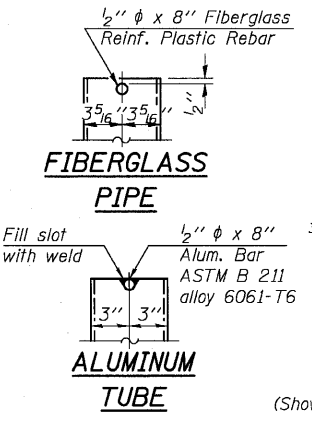
**BAR v(E)**



**SECTION B-B**  
\*Dimension as required by Pipe Clamp

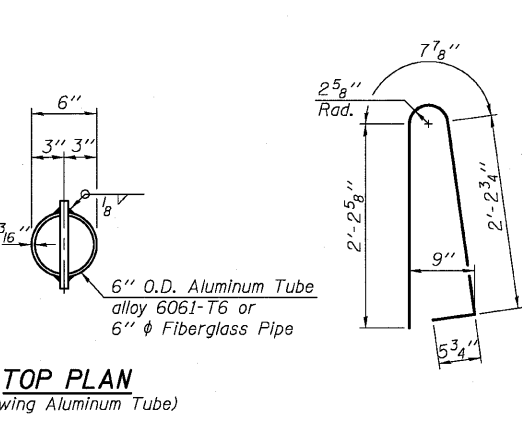


**TOP PLAN**



**FIBERGLASS PIPE**

**ALUMINUM TUBE**



**TOP PLAN**  
(Showing Aluminum Tube)

**BAR d(E)**

**TWO SUPERSTRUCTURES**  
**BILL OF MATERIAL**

Bar	No.	Size	Length	Shape
d(E)	656	#5	19'-1"	—
a1(E)	402	#5	18'-9"	—
a2(E)	1308	#6	6'-6"	—
a3(E)	8	#5	18'-11"	—
a4(E)	656	#5	23'-1"	—
a5(E)	402	#5	22'-9"	—
a6(E)	8	#5	22'-11"	—
b(E)	552	#5	27'-3"	—
b1(E)	172	#6	28'-8"	—
b2(E)	574	#5	23'-8"	—
d(E)	656	#5	5'-7"	⌋
d1(E)	656	#5	8'-4"	⌋
e(E)	112	#4	17'-2"	—
e1(E)	128	#4	7'-8"	—
e2(E)	84	#4	15'-10"	—
e3(E)	16	#4	18'-4"	—
e4(E)	8	#4	25'-1"	—
e5(E)	8	#8	34'-8"	—
e6(E)	16	#8	7'-8"	—
e7(E)	8	#8	26'-8"	—
m(E)	20	#6	19'-4"	—
m1(E)	40	#6	10'-7"	—
m2(E)	16	#6	6'-10"	—
m3(E)	8	#6	3'-4"	—
m4(E)	8	#6	6'-8"	—
m5(E)	20	#6	23'-4"	—
m6(E)	8	#6	3'-7"	—
m7(E)	4	#6	5'-3"	—
s(E)	184	#5	6'-10"	⌋
s1(E)	164	#4	9'-6"	⌋
v(E)	172	#5	3'-10"	⌋
Reinforcement Bars, Epoxy Coated		Pound	116,270	
Concrete Superstructure		Cu. Yds.	453.3	
Bar Splicers (E)		Each	1282	

Bars indicated thus 1 x 2 - #4 etc. indicates 1 line of bars with 2 lengths per line.

**SUPERSTRUCTURE DETAILS**  
**STRUCTURE NO. 053-0187 (NB)**  
**STRUCTURE NO. 053-0186 (SB)**

<p><b>Coombe-Bloxdorf P.C.</b> - CIVIL ENGINEERS - - STRUCTURAL ENGINEERS - - LAND SURVEYORS - Design Firm License No. 184-002703</p>	PROJECT NO. 05004-10 SCALE: _____ DATE 8/10/10 DESIGN BY CB/MCB DRAWN BY MML CHECKED BY MCB	SHEET NO. 17  42 SHEETS	F.A.I. RTE. 55 SECTION (53-1) HBR & HBR-1	COUNTY LIVINGSTON	TOTAL SHEETS 102	SHEET NO. 36
	FED. ROAD DIST. NO. _____ ILLINOIS FED. AID PROJECT			CONTRACT NO. 66856		