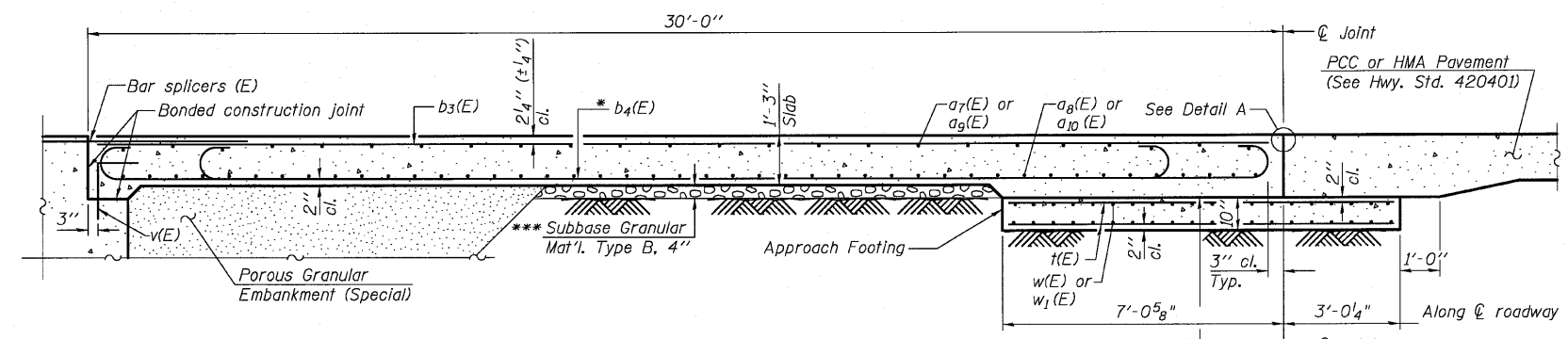
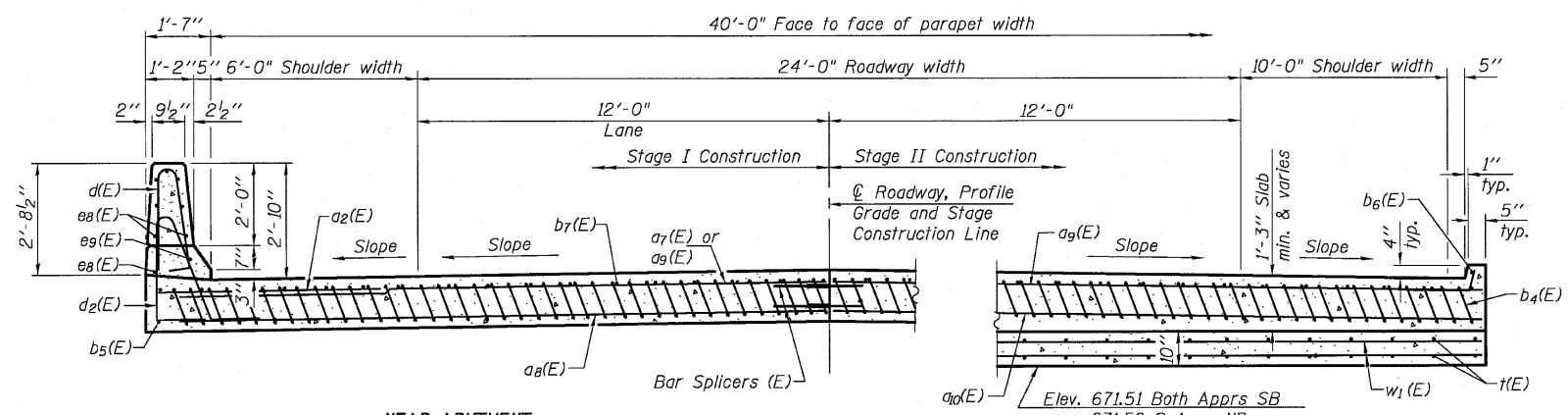


Notes:  
 See sheet 19 or 20 of 42 for Detail A and View B-B.  
 Approach slab and parapet concrete shall be paid for as Concrete Superstructure.  
 Approach footing concrete shall be paid for as Concrete Structures.  
 Reinforcement shall be paid for as Reinforcement Bars, Epoxy Coated.  
 For v(E) bar details, see sheet 17 of 42.  
 The approach footing maximum applied service bearing pressure (Qmax) = 2.0 ksf.  
 For bar splicer details, see sheet 34 of 42.  
 Cost of excavation for approach footing included with Concrete Structures.  
 For Porous Granular Embankment (Special) and drainage treatment details, see sheet 2 of 42.  
 For additional parapet details, see sheet 17 of 42.



SECTION C-C



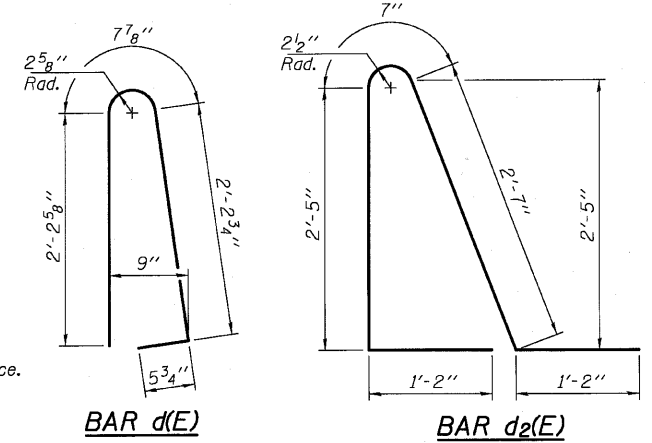
SECTION D-D

(See Plan for dimensions not shown)  
 Looking North, NB  
 Looking South, SB

NEAR ABUTMENT

AT APPROACH FOOTING

Elev. 671.51 Both Apprs SB  
 671.56 S Appr NB  
 671.46 N Appr NB  
 (Level out to out)



BAR d(E)

BAR d2(E)

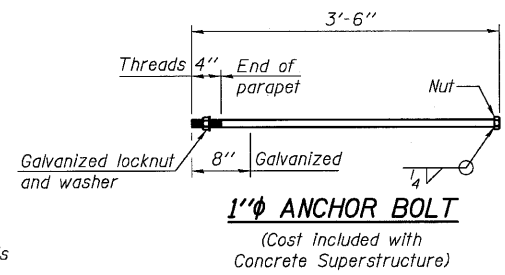
\* Tilt #9 b4(E) bars as required to maintain clearance.  
 \*\*\* Cost included with Concrete Superstructure.

FOUR APPROACHES  
 BILL OF MATERIAL

Bar	No.	Size	Length	Shape
a2(E)	96	#6	6'-6"	—
a7(E)	100	#4	18'-9"	—
a8(E)	184	#5	18'-9"	—
a9(E)	100	#4	22'-9"	—
a10(E)	184	#5	22'-9"	—
b3(E)	132	#4	29'-8"	—
b4(E)	408	#9	29'-9"	—
b5(E)	8	#4	14'-8"	—
b6(E)	8	#4	14'-5"	—
d(E)	136	#5	5'-7"	—
d2(E)	136	#5	7'-11"	—
e8(E)	64	#4	14'-8"	—
e9(E)	8	#8	14'-8"	—
t(E)	336	#4	9'-9"	—
w(E)	160	#5	18'-9"	—
w1(E)	160	#5	22'-9"	—
Concrete Superstructure		Cu. Yd.	263.2	
Concrete Structures		Cu. Yd.	51.8	
Reinforcement Bars, Epoxy Coated		Pound	67,680	
Bar Splicers (E)		Each	444	

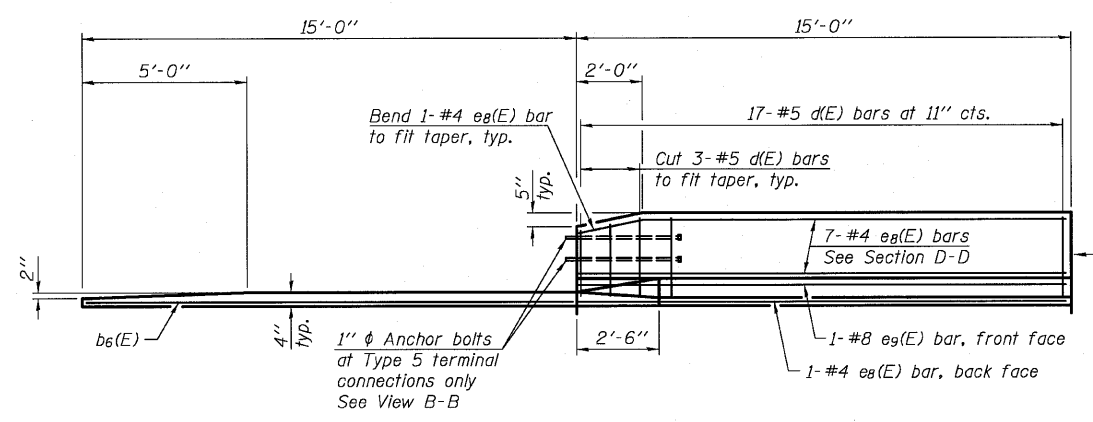
See Note A  
 See Note B

Note A: 58,570 (Superstr) 9110 (Substr)  
 Note B: 284 (Superstr) 160 (Substr)



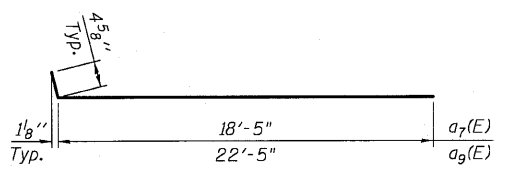
1" ANCHOR BOLT

(Cost included with Concrete Superstructure)

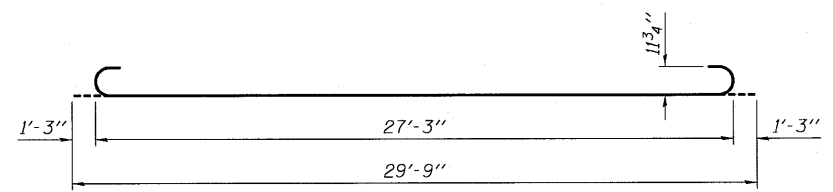


VIEW E-E

See sheet 17 of 42 for parapet joint details



BAR a7(E) or a9(E)



BAR b4(E)

BRIDGE APPROACH SLAB DETAILS  
 S.N. 053-0187 (NB) & 053-0186 (SB)

<b>CB</b> Coombe-Bloxdorf P.C. - CIVIL ENGINEERS - - STRUCTURAL ENGINEERS - - LAND SURVEYORS - Design Firm License No. 184-002703	PROJECT NO. 05004-10	F.A.I. RTE.	SECTION	COUNTY	TOTAL SHEETS	SHEET NO.
	SCALE	55	(53-1) HBR & HBR-1	LIVINGSTON	102	40
	DATE 8/10/10	SHEET NO. 21		CONTRACT NO. 66856		
DESIGN BY GB/MCB	42 SHEETS	FED. ROAD DIST. NO.		ILLINOIS FED. AID PROJECT		
DRAWN BY MML						
CHECKED BY MCB						