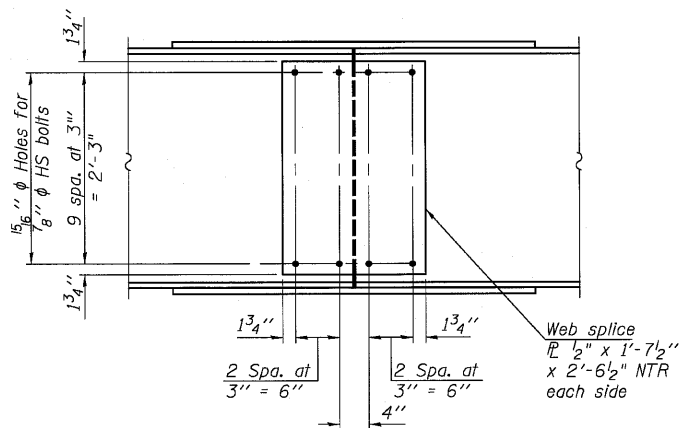
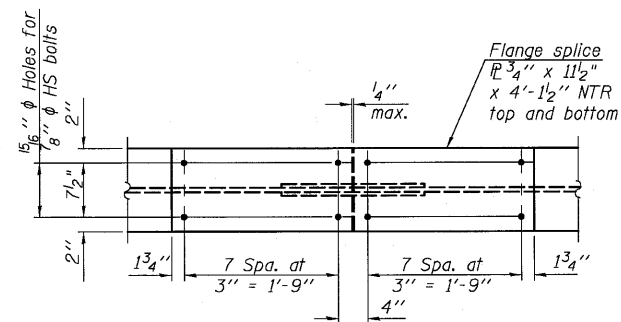


*** TOP OF BEAM ELEVATIONS

South Bound Structure						
Location	Bm. 1	Bm. 2	Bm. 3	Bm. 4	Bm. 5	Bm. 6
CL S. Abut	673.10	673.25	673.37	673.43	673.32	673.19
CL Brg. Pier 1	673.13	673.27	673.39	673.45	673.34	673.21
CL Splice 1	673.13	673.28	673.39	673.46	673.35	673.22
CL Splice 2	673.14	673.28	673.40	673.46	673.34	673.21
CL Brg. Pier 2	673.13	673.28	673.39	673.45	673.34	673.21
CL N. Abut.	673.11	673.25	673.37	673.43	673.31	673.18

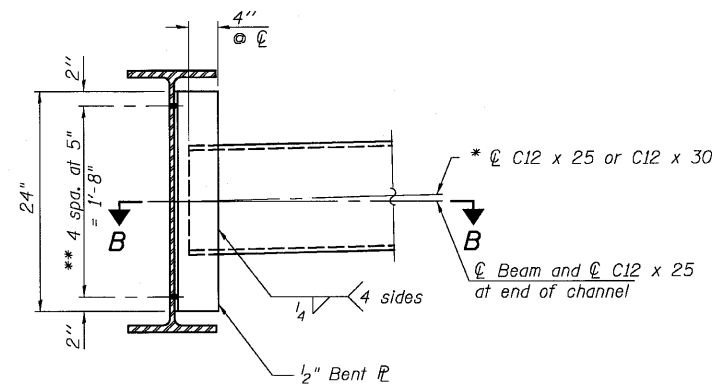
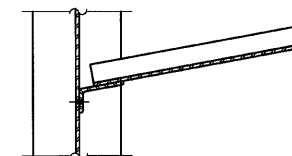
North Bound Structure						
Location	Bm. 7	Bm. 8	Bm. 9	Bm. 10	Bm. 11	Bm. 12
CL S. Abut	673.21	673.35	673.46	673.40	673.28	673.14
CL Brg. Pier 1	673.22	673.35	673.46	673.40	673.28	673.14
CL Splice 1	673.22	673.35	673.46	673.40	673.28	673.14
CL Splice 2	673.20	673.33	673.44	673.38	673.26	673.12
CL Brg. Pier 2	673.20	673.32	673.44	673.37	673.25	673.11
CL N. Abut.	673.16	673.28	673.40	673.33	673.21	673.06

*** For Fabrication Only



SPLICE 1 AND 2 DETAIL
(12 required, each structure)
(24 Required, Total)

Note:
All splice bolts shall be AASHTO M164/ASTM 325 Type 3.
NTR Denotes plates to meet Notch Toughness Requirements, Zone 2.
All Structural Steel shall be AASHTO M270 Grade 50W.



Note:
Two hardened washers required for each set of oversized holes.
* Alternate channels are permitted to facilitate material acquisition. Calculated weight of structural steel is based on the lighter section.
** 3/4" ϕ HS bolts, 15/16" ϕ holes

STRUCTURAL STEEL DETAILS
S.N. 053-0186 (SB) & 053-0187 (NB)

Coombe-Bloxdorf P.C. - CIVIL ENGINEERS - - STRUCTURAL ENGINEERS - - LAND SURVEYORS - Design Firm License No. 184-002703	PROJECT NO. 05004-10 SCALE DATE 8/10/10 DESIGN BY GB/MCB DRAWN BY MML CHECKED BY MCB	SHEET NO. 23	F.A.I. RTE. 55	SECTION (53-1) HBR & HBR-1	COUNTY LIVINGSTON	TOTAL SHEETS 102	SHEET NO. 42
	42 SHEETS	CONTRACT NO. 66856		FED. ROAD DIST. NO. ILLINOIS FED. AID PROJECT			