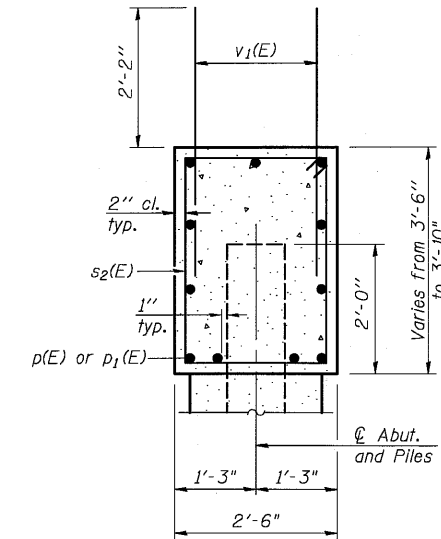
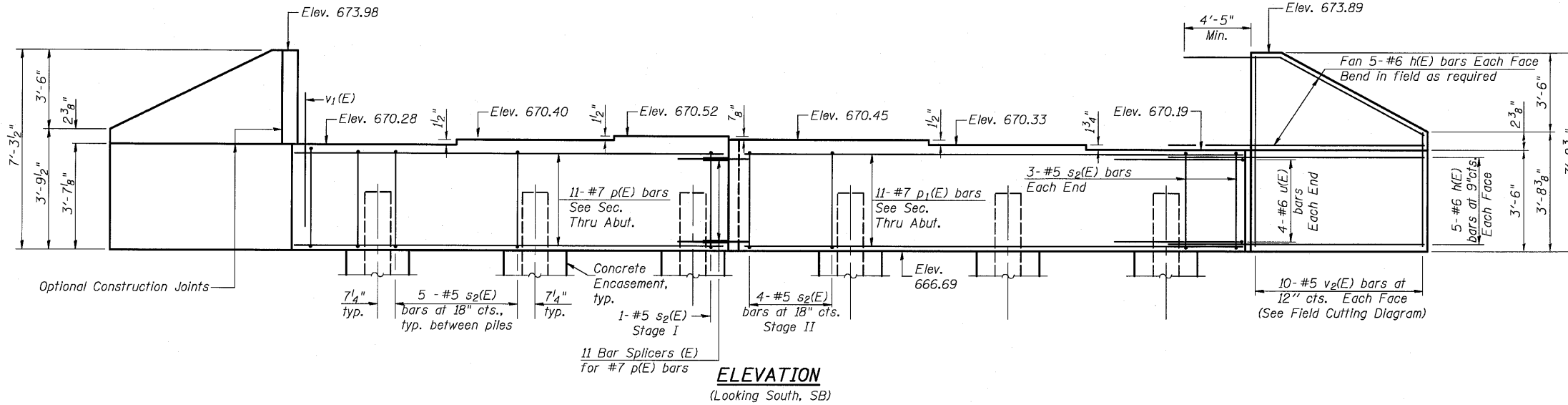


Notes:  
Pour steps monolithically with cap.

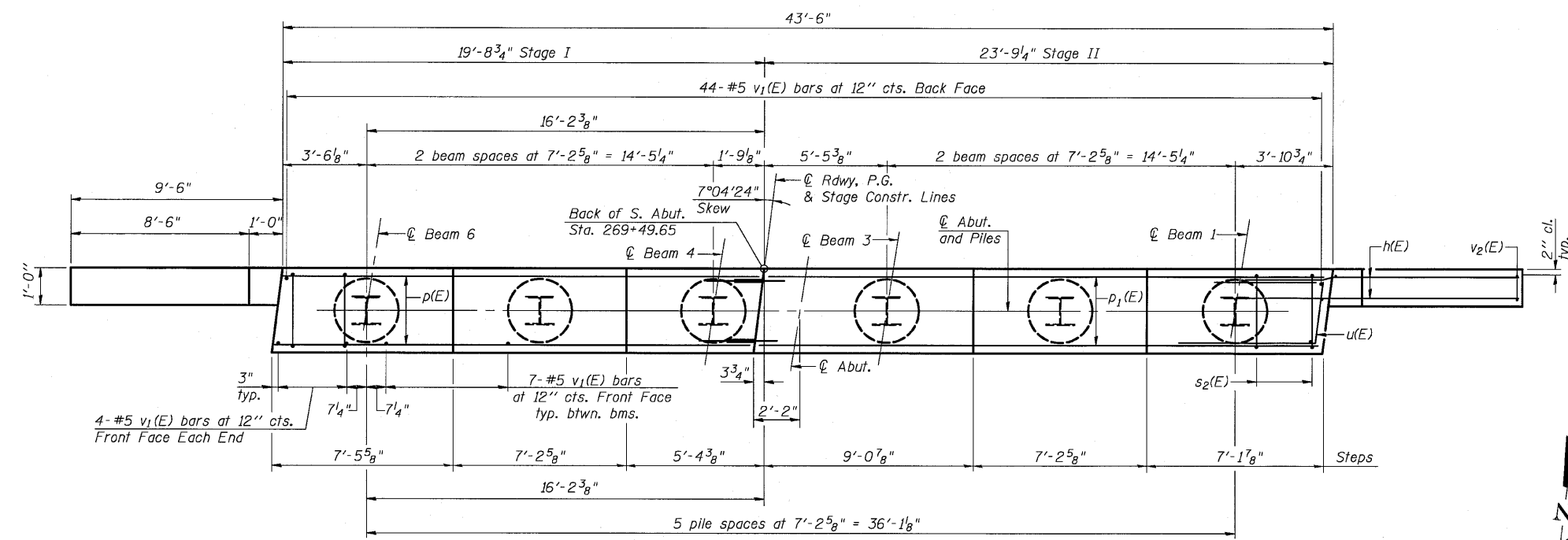


SEC. THRU ABUT.

ABUTMENT  
BILL OF MATERIAL

Bar	No.	Size	Length	Shape
h(E)	40	#6	13'-11"	—
p(E)	11	#7	19'-5"	—
p1(E)	11	#7	23'-5"	—
s2(E)	31	#5	11'-7"	□
u(E)	8	#6	10'-11"	⌒
v1(E)	87	#5	4'-4"	—
v2(E)	20	#5	10'-2"	—
Structure Excavation				Cu. Yd. 148
Concrete Structures				Cu. Yd. 18.8
Reinforcement Bars, Epoxy Coated				Pound 2910
Furnishing Steel Piles, HP 12x53				Foot 168
Driving Piles				Foot 168
Concrete Encasement				Cu. Yd. 2.1
Bar Splicers (E)				Each 11

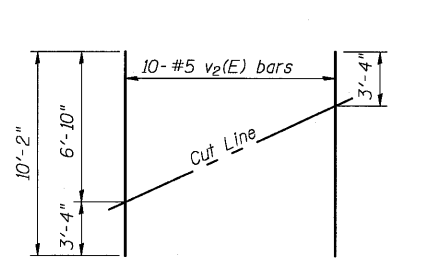
For details of Bar Splicers, see sheet 34 of 42.  
For details of piles and Concrete Encasement, see sheet 33 of 42.



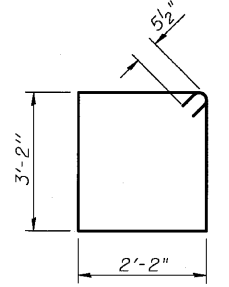
PLAN

PILE DATA

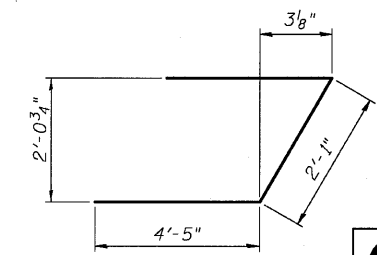
Type: HP 12x53  
Nominal Required Bearing: 280 Kips  
Factored Resistance Available: 140 Kips  
Est. Length: 28'  
No. Production Piles: 6  
No. Test Piles: 0



FIELD CUTTING DIAGRAM  
Order v2(E) full length. Cut as shown and use remainder of bars in opposite face.



BAR s2(E)



BAR u(E)

**CB** Coombe-Bloxdorf P.C.  
- CIVIL ENGINEERS -  
- STRUCTURAL ENGINEERS -  
- LAND SURVEYORS -  
Design Firm License No. 184-002703

PROJECT NO. 05004-10  
SCALE: 1/4" = 1'-0"  
DATE: 8/10/10  
DESIGN BY: GB/MCB  
DRAWN BY: MML  
CHECKED BY: MCB

SHEET NO. 25 42 SHEETS	F.A.I. RTE.	SECTION	COUNTY	TOTAL SHEETS	SHEET NO.
	55	(53-1) HBR & HBR-1	LIVINGSTON	102	44
FED. ROAD DIST. NO.			ILLINOIS FED. AID PROJECT		
CONTRACT NO. 66856					

SOUTH ABUTMENT SB  
STRUCTURE NO. 053-0186 (SB)