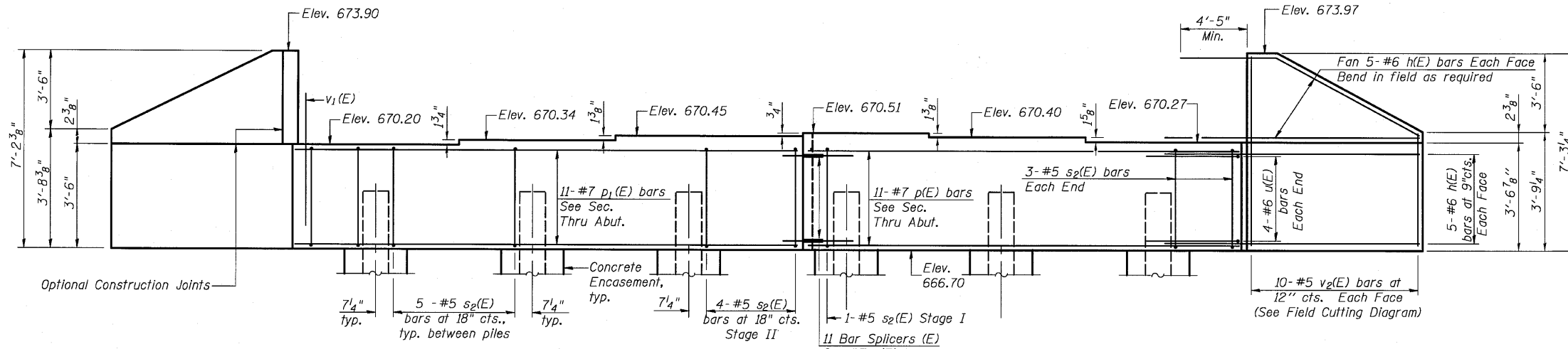
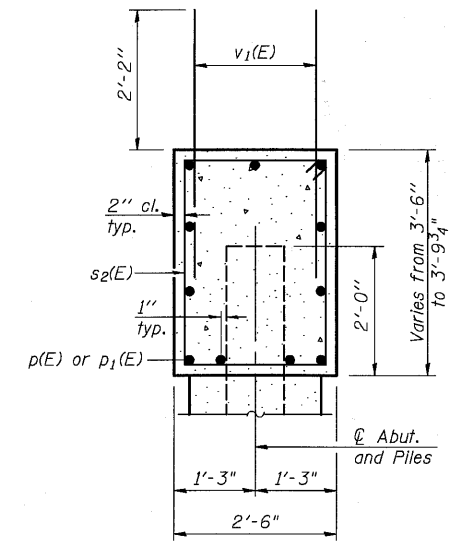


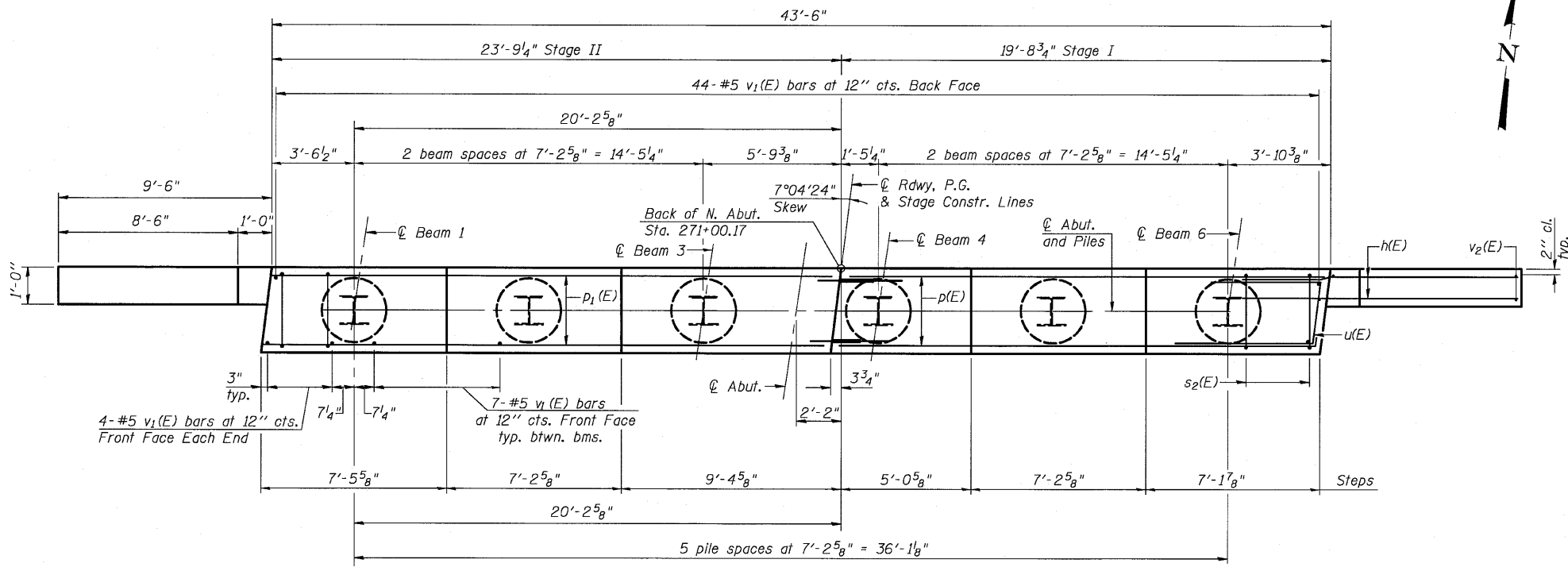
Notes:
 Pour steps monolithically with cap.



ELEVATION
 (Looking North, SB)



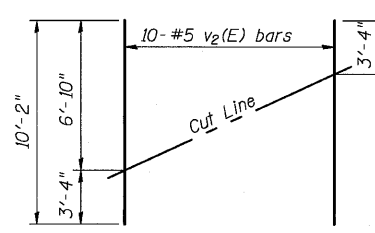
SEC. THRU ABUT.



PLAN

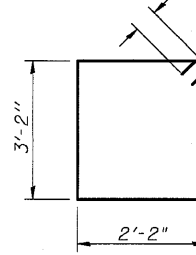
PILE DATA

Type: HP 12x53
 Nominal Required Bearing: 262 Kips
 Factored Resistance Available: 131 Kips
 Est. Length: 28'
 No. Production Piles: 5
 No. Test Piles: 1

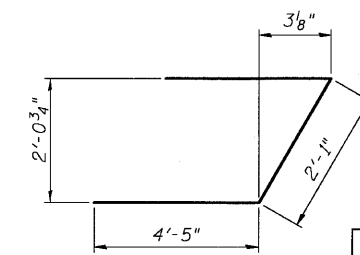


FIELD CUTTING DIAGRAM

Order v2(E) full length. Cut as shown and use remainder of bars in opposite face.



BAR s2(E)



BAR u(E)

**ABUTMENT
 BILL OF MATERIAL**

Bar	No.	Size	Length	Shape
h(E)	40	#6	13'-11"	—
p(E)	11	#7	19'-5"	—
p1(E)	11	#7	23'-5"	—
s2(E)	31	#5	11'-7"	□
u(E)	8	#6	10'-11"	┌
v1(E)	87	#5	4'-4"	—
v2(E)	20	#5	10'-2"	—
Structure Excavation		Cu. Yd.	148	
Concrete Structures		Cu. Yd.	18.8	
Reinforcement Bars, Epoxy Coated		Pound	2910	
Furnishing Steel Piles, HP 12x53		Foot	140	
Driving Piles		Foot	140	
Test Pile, HP 12x53		Each	1	
Concrete Encasement		Cu. Yd.	2.1	
Bar Splicers (E)		Each	11	

For details of Bar Splicers, see sheet 34 of 42.
 For details of piles and Concrete Encasement, see sheet 33 of 42.

**NORTH ABUTMENT SB
 STRUCTURE NO. 053-0186 (SB)**

CB Coombe-Bloxdorf P.C. - CIVIL ENGINEERS - - STRUCTURAL ENGINEERS - - LAND SURVEYORS - Design Firm License No. 184-002703	PROJECT NO. 05004-10 SCALE DATE 8/10/10 DESIGN BY CB/MCB DRAWN BY MML CHECKED BY MCB	SHEET NO. 26 42 SHEETS	F.A.I. RTE. 55 SECTION (53-1) HBR & HBR-1	COUNTY ILLINOIS CONTRACT NO. 66856	TOTAL SHEETS 102 SHEET NO. 45
	FED. ROAD DIST. NO. ILLINOIS FED. AID PROJECT				