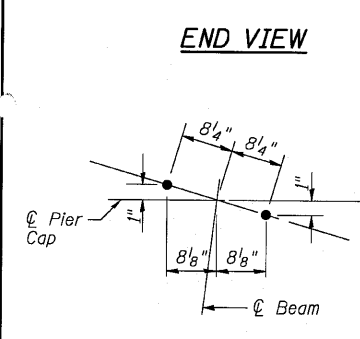
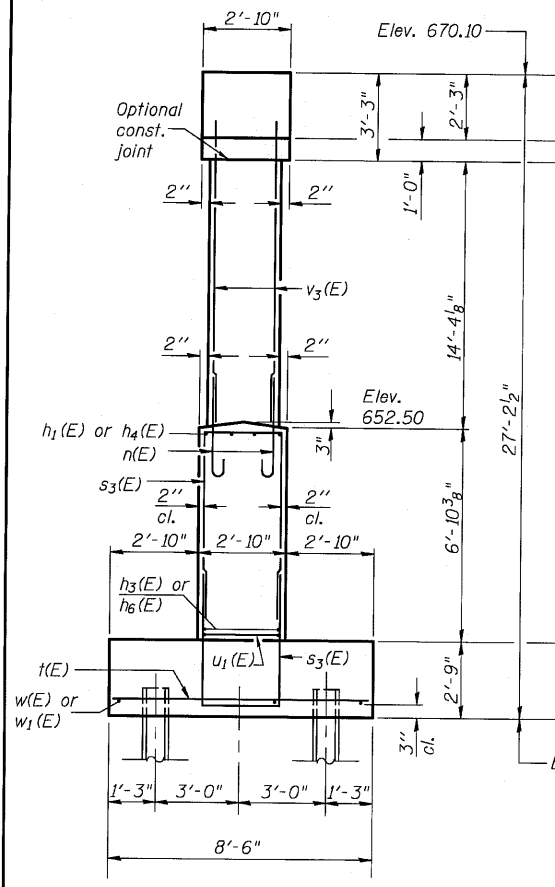
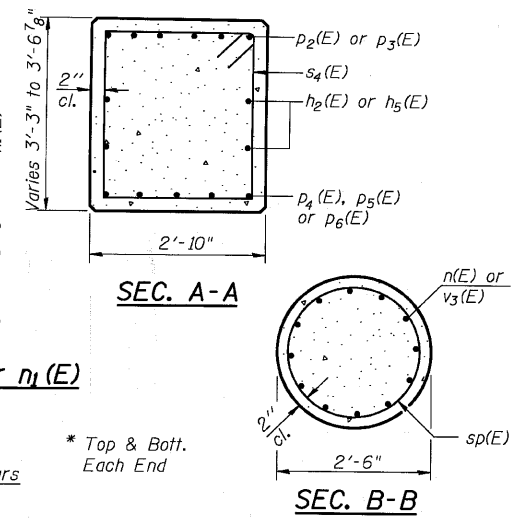
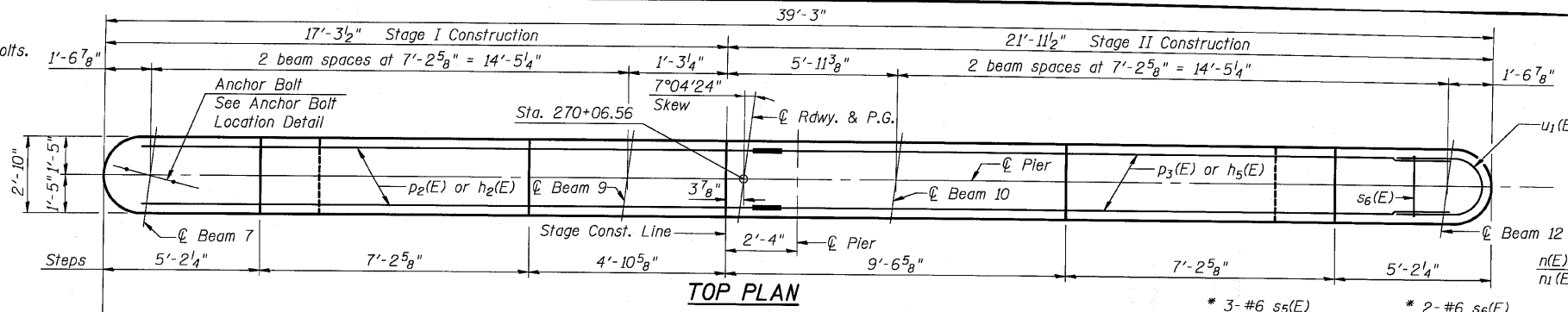


Notes:
 Space reinforcement in cap to miss anchor bolts.
 Pour steps monolithically with cap.
 For details of piles, see sheet 33 of 42.

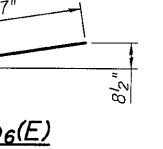
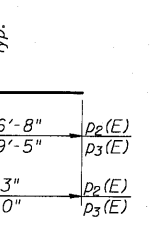
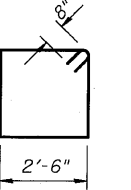
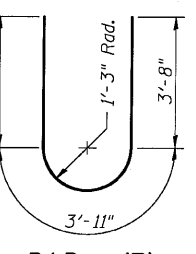
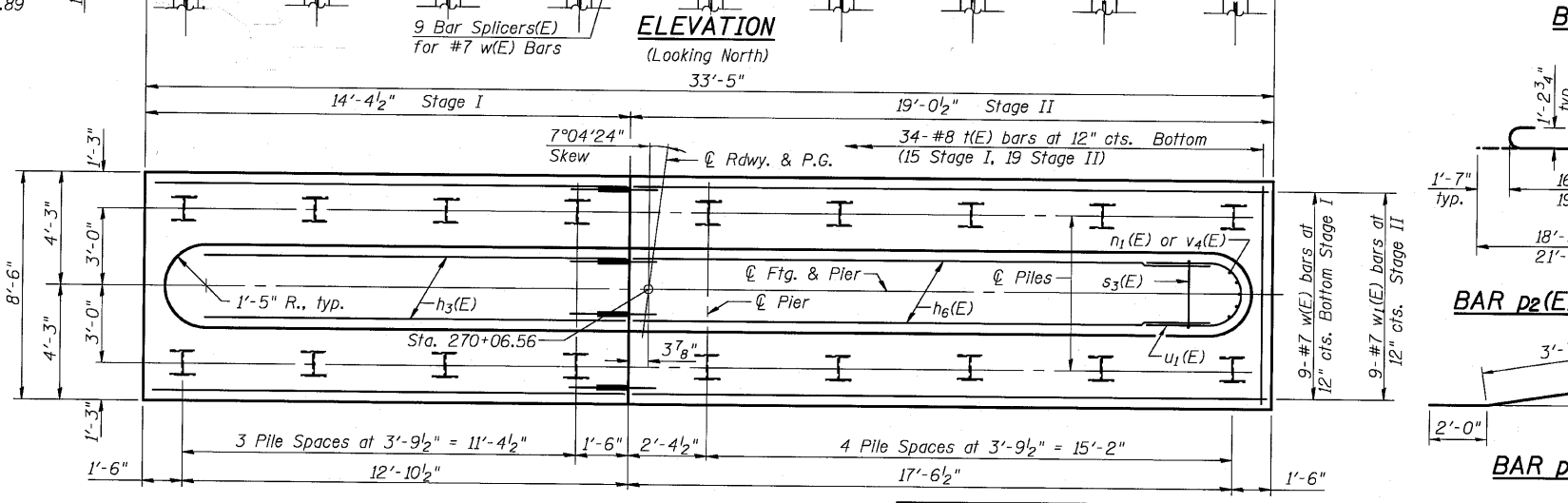
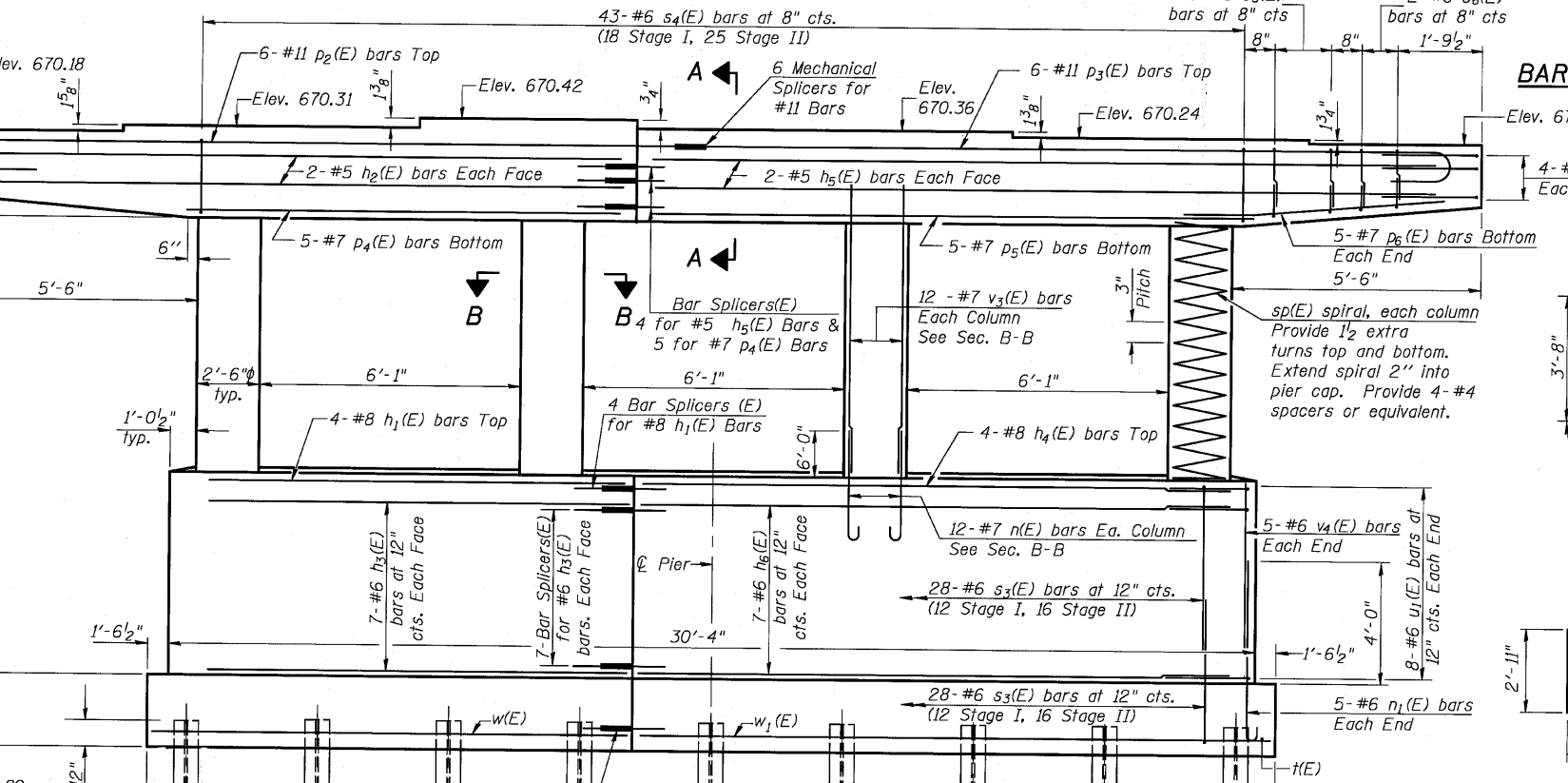
PILE DATA

Type: HP 12x53
 Nominal Required Bearing: 363 kip
 Factored Resistance Available: 182 kip
 Est. Length: 52'
 No. Production Piles: 18
 No. Test Piles: 0



Dimensions A & B

BAR	A	B
s3(E)	2'-6"	5'-6"
s5(E)	2'-6"	2'-4"
s6(E)	2'-6"	2'-2"



BILL OF MATERIAL

Bar No.	Size	Length	Shape
h1(E)	4 # 8	11'-2"	—
h2(E)	4 # 5	15'-8"	—
h3(E)	14 # 6	11'-2"	—
h4(E)	4 # 8	15'-11"	—
h5(E)	4 # 5	20'-4"	—
h6(E)	14 # 6	15'-11"	—
n(E)	48 # 7	11'-8"	U
n1(E)	10 # 6	7'-2"	U
p2(E)	6 # 11	18'-3"	U
p3(E)	6 # 11	21'-0"	U
p4(E)	5 # 7	12'-1"	—
p5(E)	5 # 7	16'-9"	—
p6(E)	10 # 7	5'-7"	—
s3(E)	56 # 6	13'-6"	U
s4(E)	43 # 6	12'-2"	□
s5(E)	12 # 6	7'-2"	U
s6(E)	8 # 6	6'-10"	U
sp(E)	4 # 4	14'-9"	W
k(E)	34 # 8	8'-2"	—
u1(E)	24 # 6	11'-3"	U
v3(E)	48 # 7	15'-9"	—
v4(E)	10 # 6	6'-6"	—
w(E)	9 # 7	14'-0"	—
w1(E)	9 # 7	18'-8"	—
Braced Excavation	Cu. Yd.	204	
Concrete Structures	Cu. Yd.	74.4	
Reinforcement Bars, Epoxy Coated	Pound	10,530	
Furnishing Steel Piles, HP 12x53	Foot	936	
Driving Piles, HP 12x53	Foot	936	
Test Pile, Steel HP 12x53	Each	0	
Bar Splicers	Each	36	
Mechanical Splicers	Each	6	

** Length is height of spiral.
PIER 1
STRUCTURE NO. 053-0187 (NB)

Coombe-Bloxdorf P.C.
 - CIVIL ENGINEERS -
 - STRUCTURAL ENGINEERS -
 - LAND SURVEYORS -
 Design Firm License No. 184-002703

PROJECT NO. 05004-10
 SCALE 1/8" = 1'-0"
 DATE 8/10/10
 DESIGNED BY GB/MCB
 DRAWN BY MML
 CHECKED BY MCB

SHEET NO. 29	F.A.I. RTE. 55	SECTION (53-1) HBR & HBR-1	COUNTY LIVINGSTON	TOTAL SHEETS 102	SHEET NO. 48
42 SHEETS	CONTRACT NO. 66856		FED. ROAD DIST. NO. ILLINOIS FED. AID PROJECT		