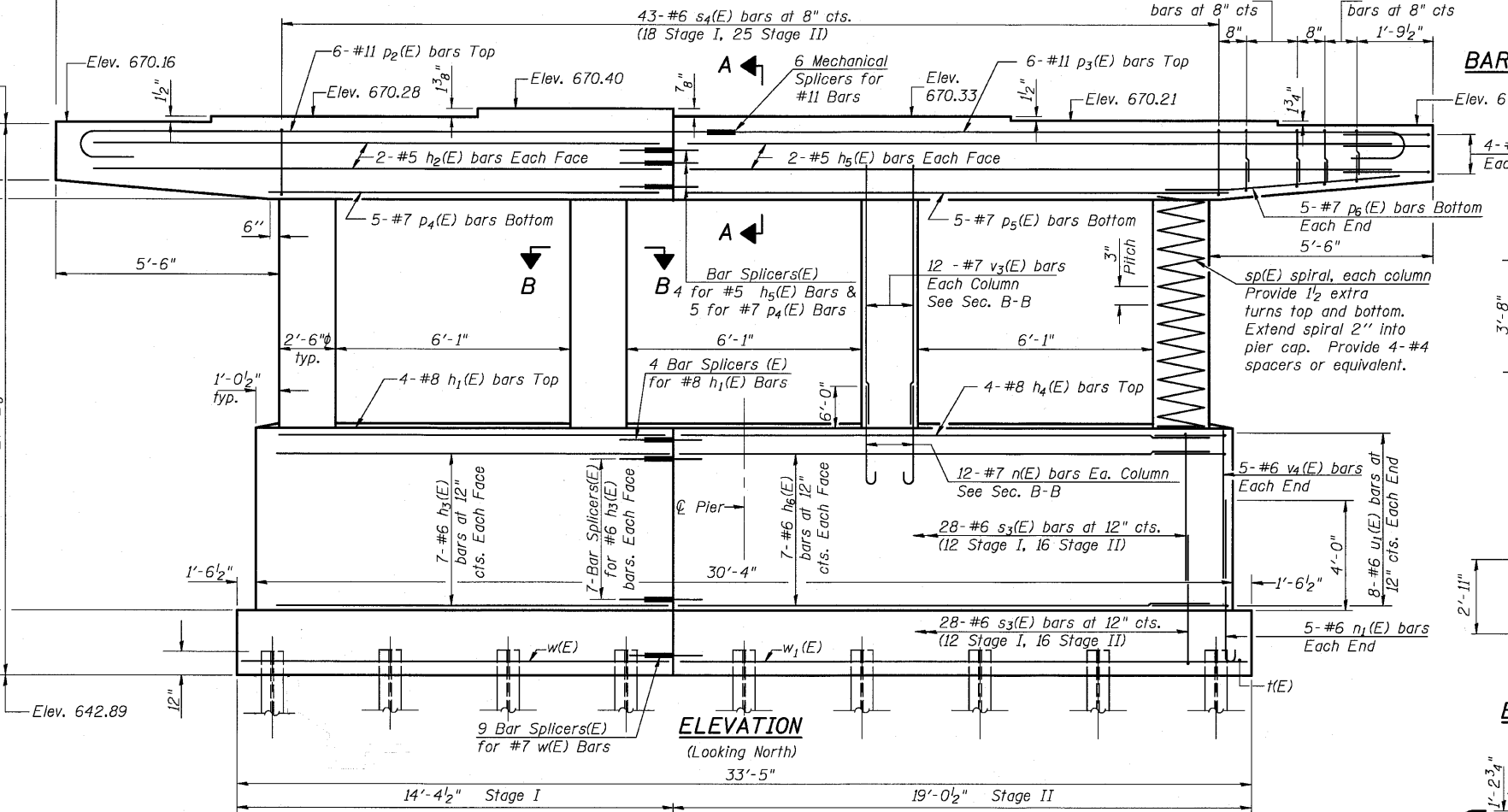
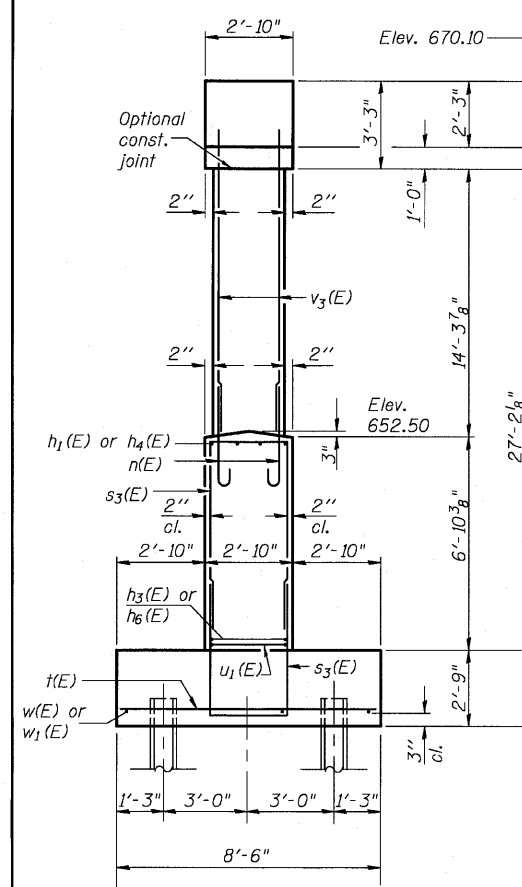
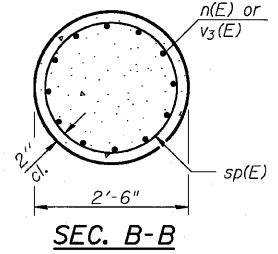
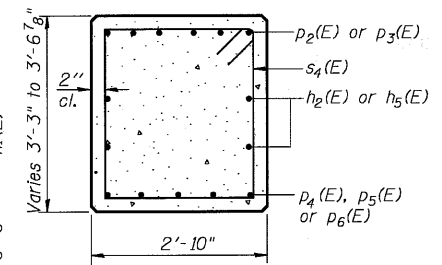
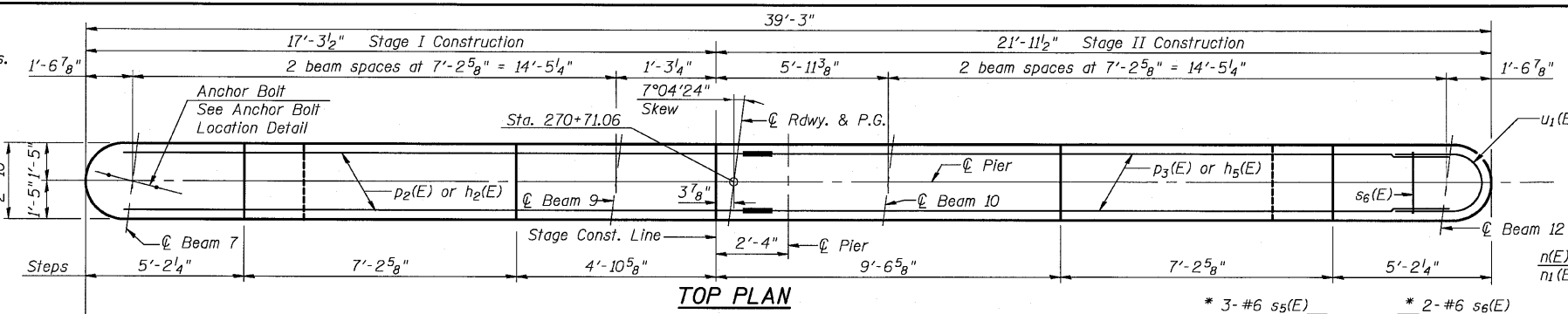


Notes:  
 Space reinforcement in cap to miss anchor bolts.  
 Pour steps monolithically with cap.  
 For details of piles, see sheet 33 of 42.

**PILE DATA**

Type: HP 12x53  
 Nominal Required Bearing: 363 kip  
 Factored Resistance Available: 182 kip  
 Est. Length: 52'  
 No. Production Piles: 18  
 No. Test Piles: 0



**BAR n(E) or v3(E)**

**BAR u1(E)**

**BAR s4(E)**

**BAR p2(E) or p3(E)**

**BAR p6(E)**

**BILL OF MATERIAL**

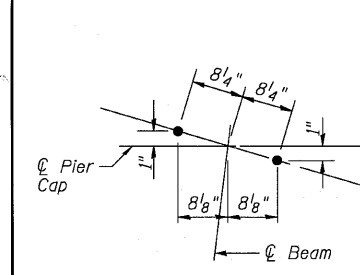
Bar	No.	Size	Length	Shape	
h1(E)	4	# 8	11'-2"	—	
h2(E)	4	# 5	15'-8"	—	
h3(E)	14	# 6	11'-2"	—	
h4(E)	4	# 8	15'-11"	—	
h5(E)	4	# 5	20'-4"	—	
h6(E)	14	# 6	15'-11"	—	
n(E)	48	# 7	11'-8"	U	
ni(E)	10	# 6	7'-2"	U	
p2(E)	6	# 11	18'-3"	U	
p3(E)	6	# 11	21'-0"	U	
p4(E)	5	# 7	12'-1"	—	
p5(E)	5	# 7	16'-9"	—	
p6(E)	10	# 7	5'-7"	—	
s3(E)	56	# 6	13'-6"	U	
s4(E)	43	# 6	12'-2"	U	
s5(E)	12	# 6	7'-2"	—	
s6(E)	8	# 6	6'-10"	U	
sp(E)	4	# 4	14'-9"	W	
t(E)	34	# 8	8'-2"	—	
u1(E)	24	# 6	11'-3"	U	
v3(E)	48	# 7	15'-9"	—	
v4(E)	10	# 6	6'-6"	—	
w(E)	9	# 7	14'-0"	—	
w1(E)	9	# 7	18'-8"	—	
Braced Excavation				Cu. Yd.	204
Concrete Structures				Cu. Yd.	74.4
Reinforcement Bars, Epoxy Coated				Pound	10,530
Furnishing Steel Piles, HP 12x53				Foot	936
Driving Piles				Foot	936
Test Pile, Steel HP 12x53				Each	0
Bar Splicers				Each	36
Mechanical Splicers				Each	6

\*\* Length is height of spiral.

**PIER 2**

**STRUCTURE NO. 053-0187 (NB)**

**END VIEW**



**BAR s3(E), s5(E) or s6(E)**

**Dimensions A & B**

BAR	A	B
s3(E)	2'-6"	5'-6"
s5(E)	2'-6"	2'-4"
s6(E)	2'-6"	2'-2"

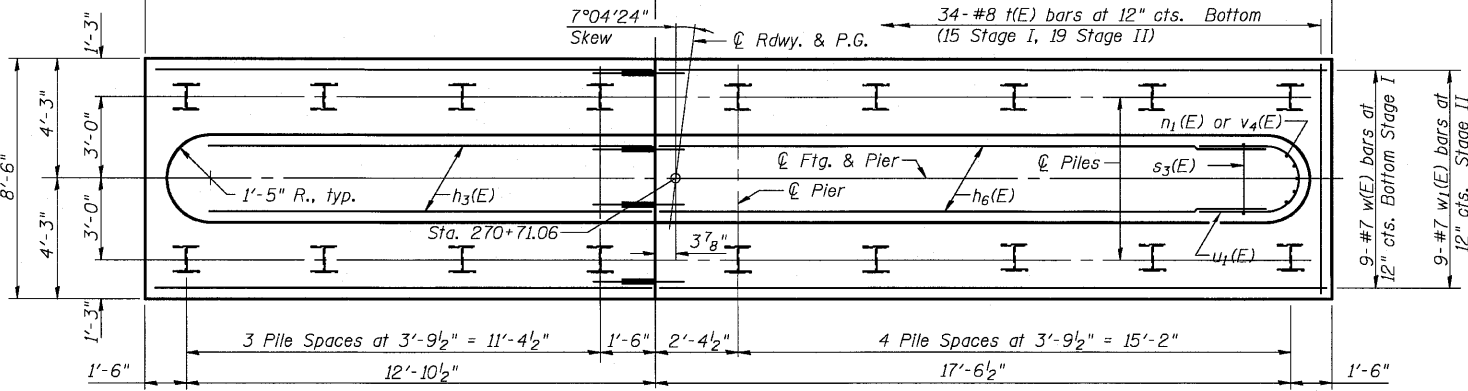
**ANCHOR BOLT LOCATION DETAIL**



P-24

11-1-09

**FOOTING PLAN**



**Coombe-Bloxdorf P.C.**  
 - CIVIL ENGINEERS -  
 - STRUCTURAL ENGINEERS -  
 - LAND SURVEYORS -  
 Design Firm License No. 184-002703

PROJECT NO. 05004-10  
 SCALE: 1/4" = 1'-0"  
 DATE: 8/10/10  
 DESIGN BY: GB/MCB  
 DRAWN BY: MML  
 CHECKED BY: MCB

SHEET NO. 30  
 42 SHEETS

F.A.I. RTE.	SECTION	COUNTY	TOTAL SHEETS	SHEET NO.
55	(53-1) HBR & HBR-1	LIVINGSTON	102	49
FED. ROAD DIST. NO.		ILLINOIS FED. AID PROJECT		
		CONTRACT NO. 66856		