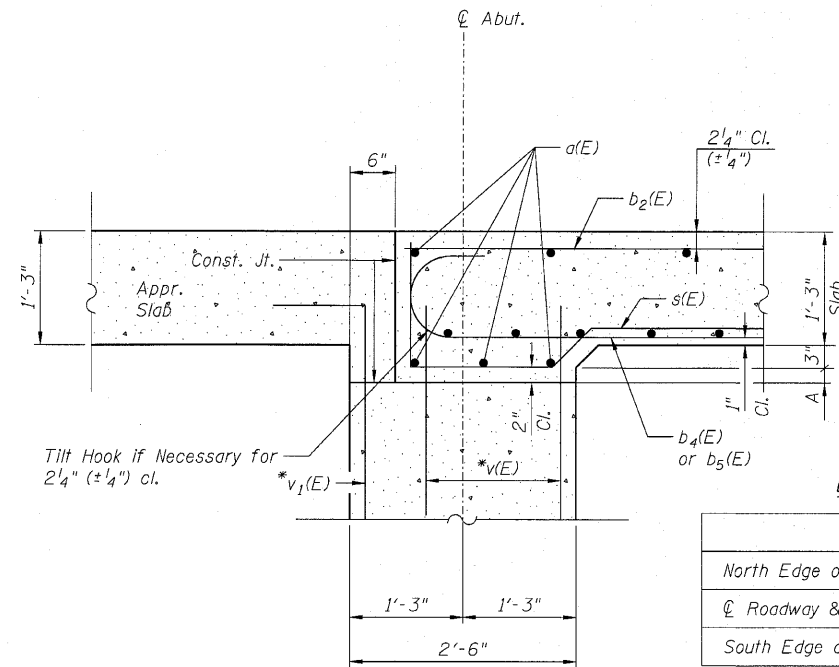


STATE OF ILLINOIS
DEPARTMENT OF TRANSPORTATION

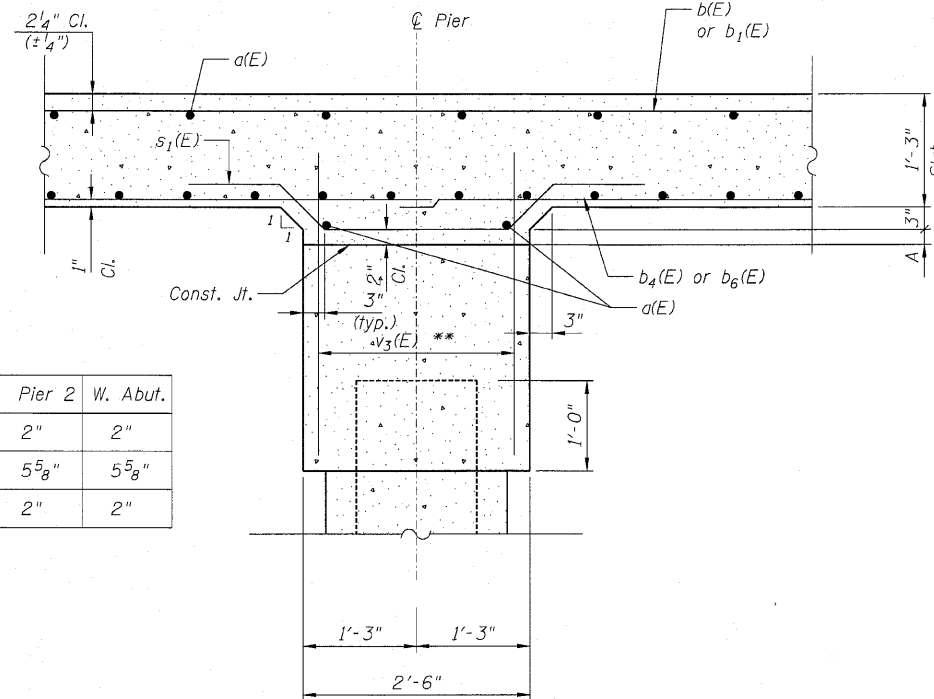


SECTION A-A

* $v_1(E)$ and $v_1(E)$ bars billed with Abutments

DIMENSION "A"

	E. Abut.	Pier 1	Pier 2	W. Abut.
North Edge of Bridge	2"	2"	2"	2"
☐ Roadway & PGL	5 ⁵ / ₈ "	5 ⁵ / ₈ "	5 ⁵ / ₈ "	5 ⁵ / ₈ "
South Edge of Bridge	2"	2"	2"	2"



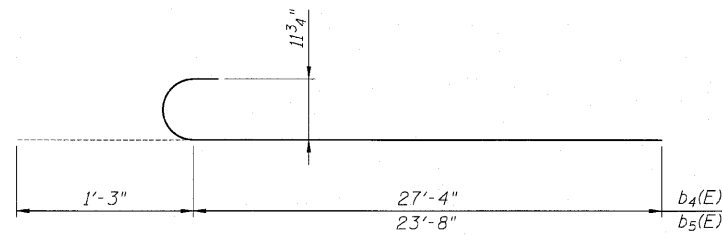
SECTION B-B

** $v_3(E)$ bars billed with pier

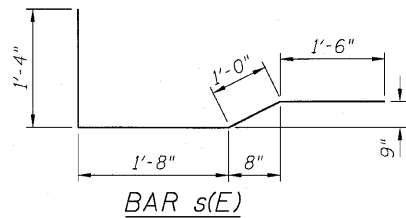
SUPERSTRUCTURE
BILL OF MATERIAL

Bar	No.	Size	Length	Shape
a(E)	392	#5	17'-3"	—
a1(E)	122	#6	6'-6"	—
b(E)	80	#9	18'-3"	—
b1(E)	76	#9	32'-4"	—
b2(E)	76	#5	14'-8"	—
b3(E)	38	#5	5'-2"	—
b4(E)	76	#9	28'-7"	C
b5(E)	76	#9	24'-11"	C
b6(E)	38	#9	35'-6"	—
b7(E)	38	#9	28'-10"	—
d(E)	200	#5	5'-7"	⌒
d1(E)	200	#5	7'-11"	⌒
e(E)	56	#4	13'-9"	—
e1(E)	28	#4	16'-11"	—
e2(E)	6	#8	33'-8"	—
e3(E)	8	#4	24'-2"	—
s(E)	76	#4	5'-6"	⌒
s1(E)	76	#4	7'-0"	—
s2(E)	282	#4	6'-9"	□
Reinforcement Bars, Epoxy Coated			Pound	51,290
Concrete Superstructure			Cu. Yds.	176.5

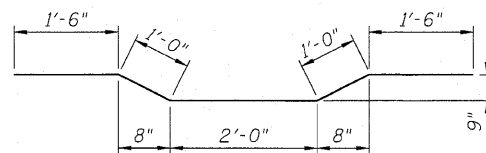
For Bar Splicers See Sheet 17 of 20



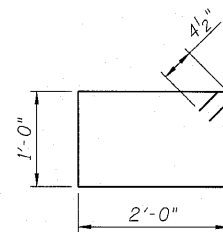
BARS $b_4(E)$ & $b_5(E)$



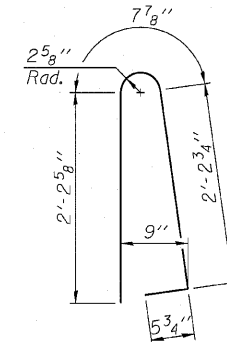
BAR s(E)



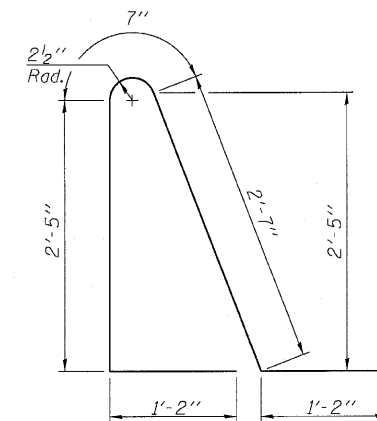
BAR s1(E)



BAR s2(E)



BAR d(E)



BAR d1(E)

SUPERSTRUCTURE DETAILS
STRUCTURE NO. 038-0221

SHEET NO.	F.A.P. RTE.	SECTION	COUNTY	TOTAL SHEETS	SHEET NO.
10	681	118BR	IROQUOIS	42	19
OF 20 SHEETS					
CONTRACT NO. 66861					
FED. ROAD DIST. NO. _ ILLINOIS FED. AID PROJECT					



Zroka Engineering, P.C.
4216 North Hermitage
Chicago, IL 60613

Date: 7-28-10 Drawn By: FJS Checked By: DZ