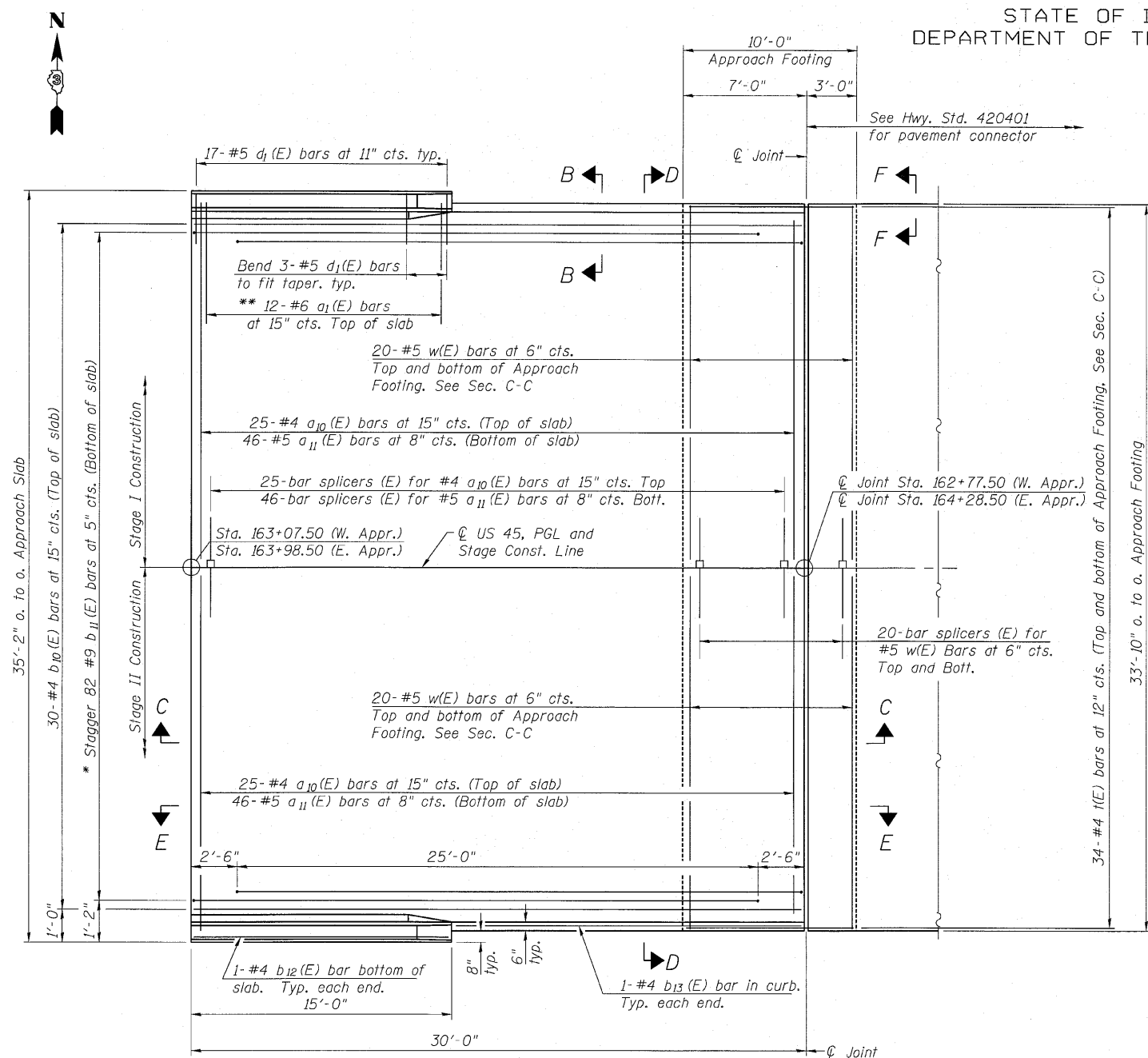


STATE OF ILLINOIS
DEPARTMENT OF TRANSPORTATION

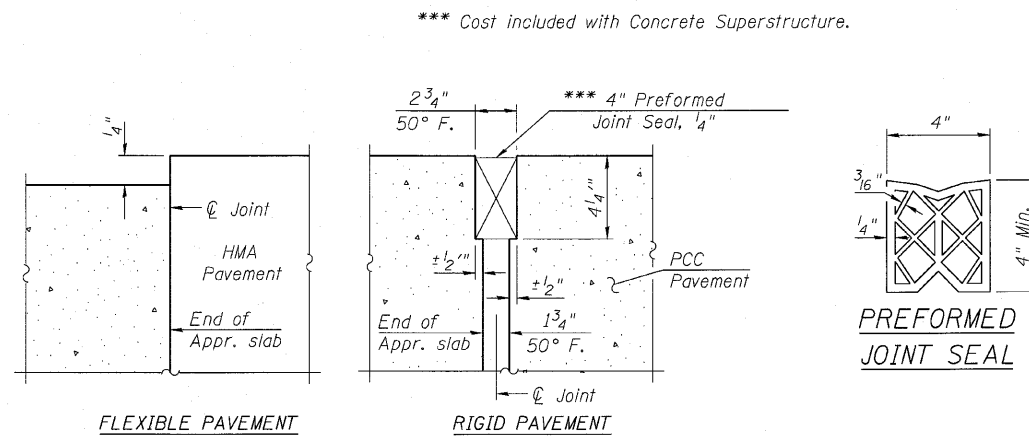
Notes:
See sheet 12 of 20 for Sections C-C & D-D and View E-E.
 $a_{10}(E)$ and $a_{11}(E)$ bar spacings measured along C.R.



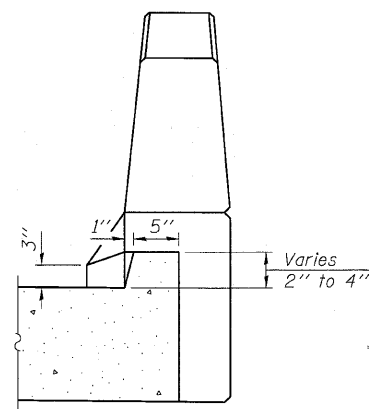
PLAN

* Tilt #9 $b_{11}(E)$ bars as required to maintain clearance.
** Space between $a_{10}(E)$ bars, typ. ea. parapet.

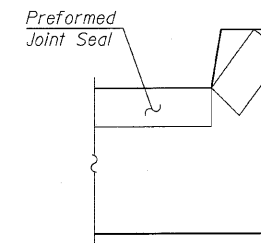
East Approach Slab shown.
West Approach Slab similar opposite hand.



DETAIL A



VIEW B-B



VIEW F-F

Angle Preformed Joint Seal at 45°
at curbs when req'd for drainage.

BRIDGE APPROACH SLAB DETAILS
STRUCTURE NO. 038-0221

SHEET NO. 11 OF 20 SHEETS	F.A.P. RTE.	SECTION	COUNTY	TOTAL SHEETS	SHEET NO.
	681	118BR	IROQUOIS	42	20
			CONTRACT NO. 66861		
FED. ROAD DIST. NO. - ILLINOIS FED. AID PROJECT					

7/29/2010 6:25:55 PM C:\Drawings\5500-10US45\FinalStructuralPlans\SI - Bridge Approach Slab Details Idgn



Zroka Engineering, P.C.
4216 North Hermitage
Chicago, IL 60613

Date: 7-28-10 Drawn By: AJP Checked By: DZ

BA-0

11-1-09