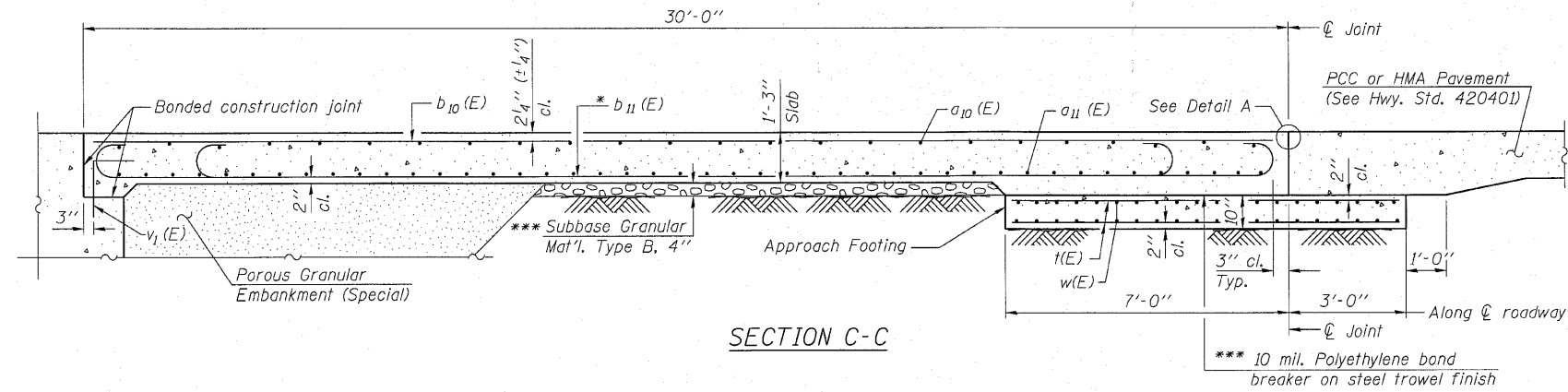


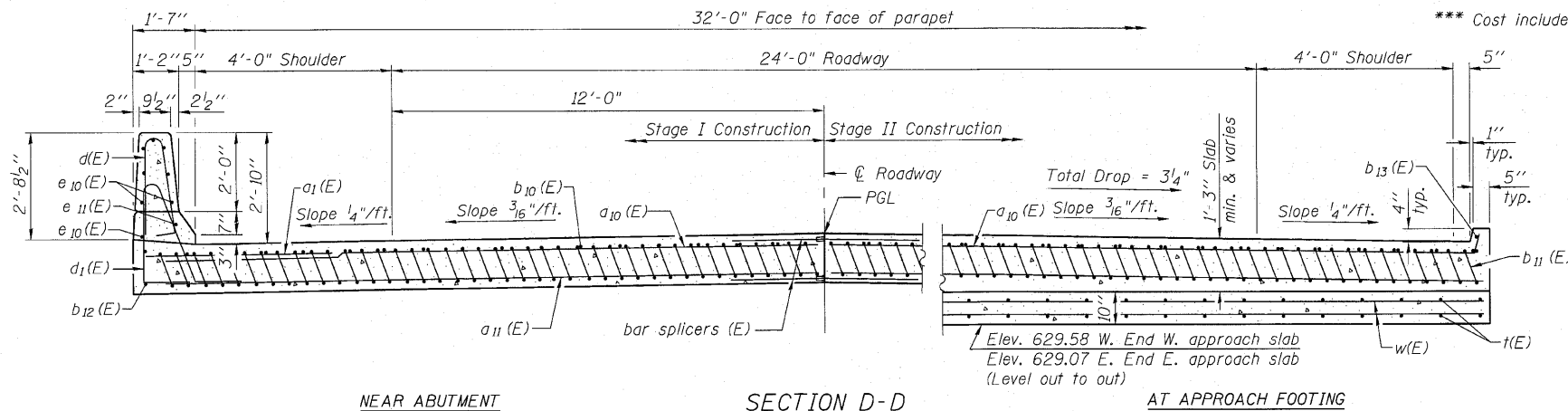
STATE OF ILLINOIS
DEPARTMENT OF TRANSPORTATION

Notes:

See sheet 11 of 20 for Detail A.
Approach slab and parapet concrete shall be paid for as Concrete Superstructure.
Approach footing concrete shall be paid for as Concrete Structures.
Reinforcement shall be paid for as Reinforcement Bars, Epoxy Coated.
For $v_1(E)$ bar details, see sheet 13 of 20 and sheet 14 of 20.
The approach footing maximum applied service bearing pressure (Q_{max}) = 2.0 ksf.
For bar splicer details, see sheet 17 of 20.
Cost of excavation for approach footing included with Concrete Structures.
For Porous Granular Embankment (Special) and drainage treatment details, see sheet 2 of 20.
For additional parapet details, see sheet 9 of 20.



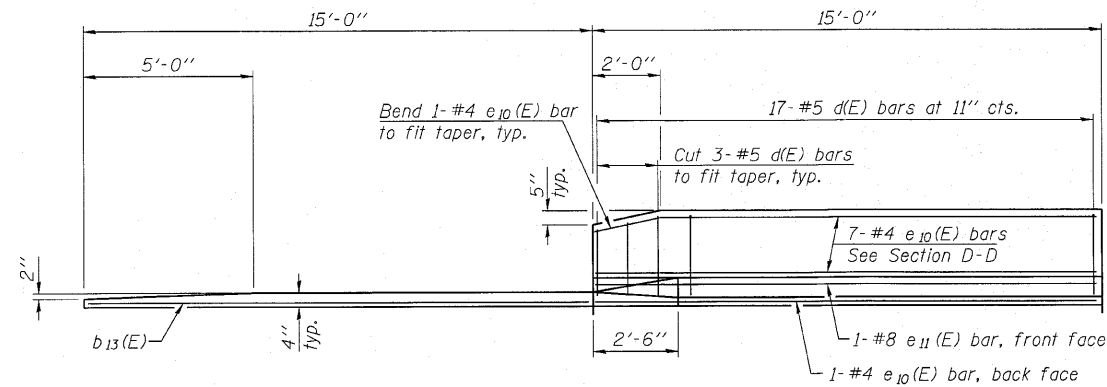
SECTION C-C



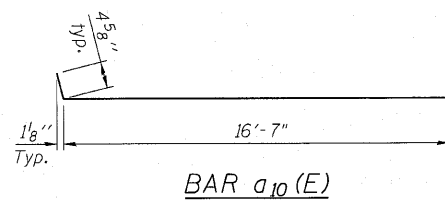
NEAR ABUTMENT

SECTION D-D
(See Plan for dimensions not shown)

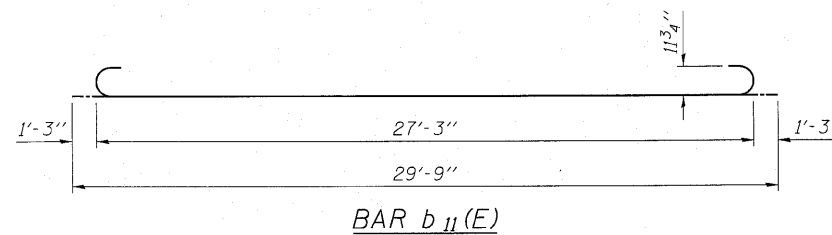
AT APPROACH FOOTING



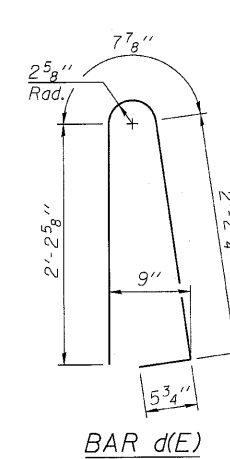
VIEW E-E



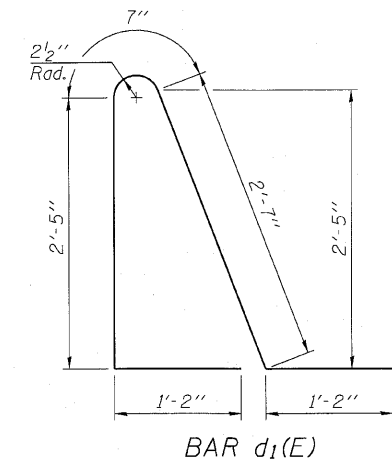
BAR a₁₀(E)



BAR b₁₁(E)



BAR d(E)



BAR d₁(E)

TWO APPROACHES
BILL OF MATERIAL

Bar	No.	Size	Length	Shape
a ₁₀ (E)	100	#4	16'-11"	—
a ₁₁ (E)	184	#5	16'-7"	—
a ₁ (E)	48	#6	6'-6"	—
b ₁₀ (E)	60	#4	29'-8"	—
b ₁₁ (E)	164	#9	29'-9"	—
b ₁₂ (E)	4	#4	14'-8"	—
b ₁₃ (E)	4	#4	14'-8"	—
d(E)	68	#5	5'-7"	⤴
d ₁ (E)	68	#5	7'-11"	⤴
e ₁₀ (E)	32	#4	14'-8"	—
e ₁₁ (E)	4	#8	14'-8"	—
h(E)	136	#4	9'-8"	—
w(E)	160	#5	16'-7"	—
Concrete Superstructure		Cu. Yd.	112.2	
Concrete Structures		Cu. Yd.	20.8	
Reinforcement Bars, Epoxy Coated		Pound	27,720	

For Bar Splicers See Sheets 17 of 20.

BRIDGE APPROACH SLAB DETAILS
STRUCTURE NO. 038-0221

SHEET NO. 12 OF 20 SHEETS	F.A.P. RTE.	SECTION	COUNTY	TOTAL SHEETS	SHEET NO.
	681	118BR	IROQUOIS	42	21
CONTRACT NO. 66861					
FED. ROAD DIST. NO. _ ILLINOIS FED. AID PROJECT					