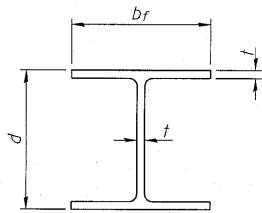
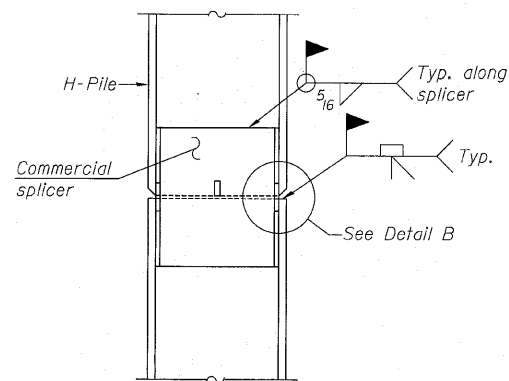


STATE OF ILLINOIS
DEPARTMENT OF TRANSPORTATION

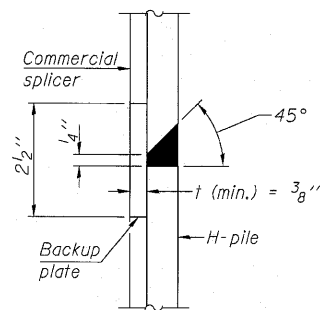


STEEL PILE TABLE

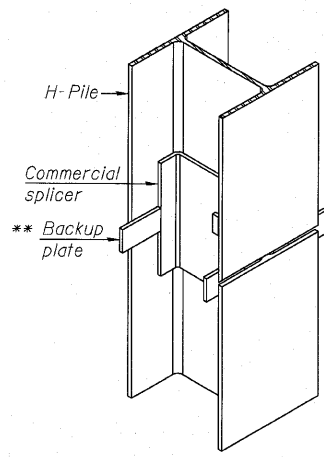
Designation	Depth d	Flange width br	Web and Flange thickness t	Encasement diameter A
HP 14x117	14 1/4"	14 7/8"	1 3/16"	30"
x102	14"	14 3/4"	1 1/16"	30"
x89	13 7/8"	14 3/4"	5/8"	30"
x73	13 5/8"	14 5/8"	1/2"	30"
HP 12x84	12 1/4"	12 1/4"	1 1/16"	24"
x74	12 1/8"	12 1/4"	5/8"	24"
x63	12"	12 1/8"	1/2"	24"
x53	11 3/4"	12"	7/16"	24"
HP 10x57	10"	10 1/4"	9/16"	24"
x42	9 3/4"	10 1/8"	7/16"	24"
HP 8x36	8"	8 1/8"	7/16"	18"



ELEVATION

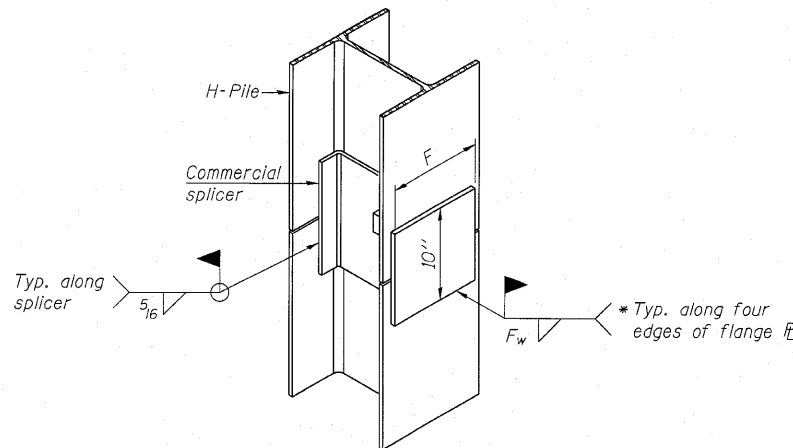


DETAIL "B"



ISOMETRIC VIEW

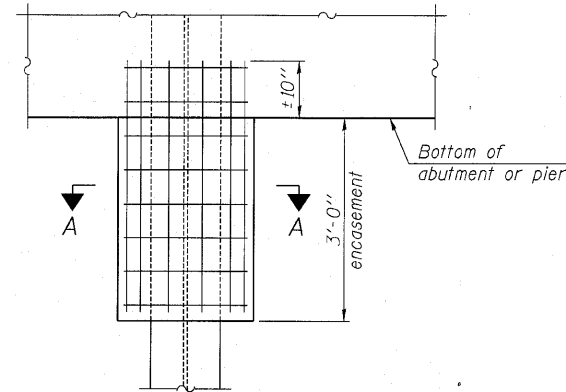
WELDED COMMERCIAL SPLICE



ISOMETRIC VIEW

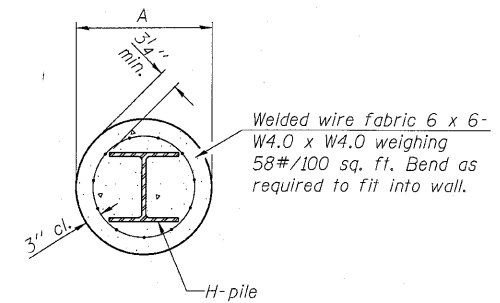
WELDED COMMERCIAL SPLICE ALTERNATE

- * Interrupt welds 1/4" from end of web and/or each flange.
- ** Remove portions of backup plates that extend outside the flanges.
- *** Weld size per pile shoe manufacturer (5/16" min.).



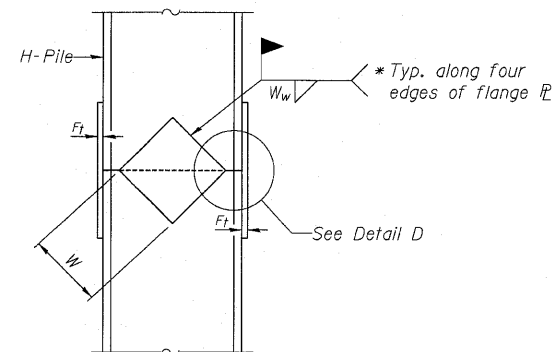
ELEVATION

PILE ENCASEMENT

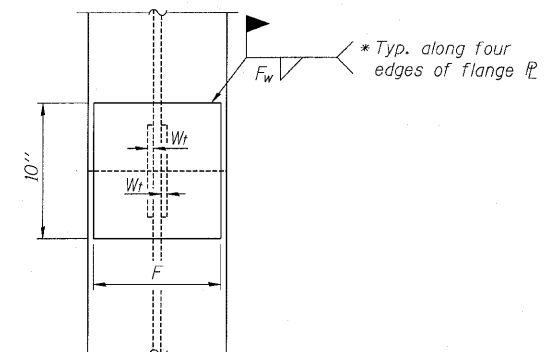


SECTION A-A

Note:
Forms for encasement may be omitted when soil conditions permit.

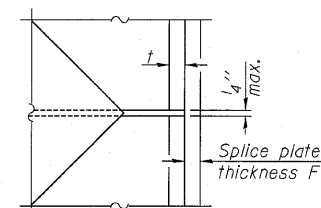


ELEVATION



END VIEW

Designation	F	F _t	F _w	W	W _t	W _w
HP 14x117	12 1/2"	1"	7/8"	7 3/4"	5 1/2"	1/2"
x102	12 1/2"	7/8"	3/4"	7 3/4"	5 1/2"	1/2"
x89	12 1/2"	3/4"	1 1/16"	7 3/4"	5 1/2"	1/2"
x73	12 1/2"	5/8"	9/16"	7 3/4"	5 1/2"	1/2"
HP 12x84	10"	7/8"	1 1/16"	6 1/2"	5 1/2"	1/2"
x74	10"	7/8"	1 1/16"	6 1/2"	5 1/2"	1/2"
x63	10"	5/8"	1/2"	6 1/2"	1/2"	3/8"
x53	10"	5/8"	1/2"	6 1/2"	1/2"	3/8"
HP 10x57	8"	3/4"	9/16"	5 1/4"	1/2"	3/8"
x42	8"	5/8"	9/16"	5 1/4"	1/2"	3/8"
HP 8x36	7"	5/8"	7/16"	4 1/4"	1/2"	3/8"



DETAIL D

WELDED PLATE FIELD SPLICE

Note:
The steel H-piles shall be according to AASHTO M270 Grade 50.

SHEET NO. 18 OF 20 SHEETS	F.A.P. RTE.	SECTION	COUNTY	TOTAL SHEETS	SHEET NO.
	681	118BR	IROQUOIS	42	27
CONTRACT NO. 66861					
FED. ROAD DIST. NO. _ ILLINOIS FED. AID PROJECT					

HP PILE DETAILS
STRUCTURE NO. 038-0221



Zroka Engineering, P.C.
4216 North Hermitage
Chicago, IL 60613

Date: 7-28-10 Drawn By: FJS Checked By: DZ F-HP

11-1-09

7/29/2010 6:28:53 PM C:\Drawings\5500-10\US45\Final\Structural\Plans\318-HP Pile Details.dgn