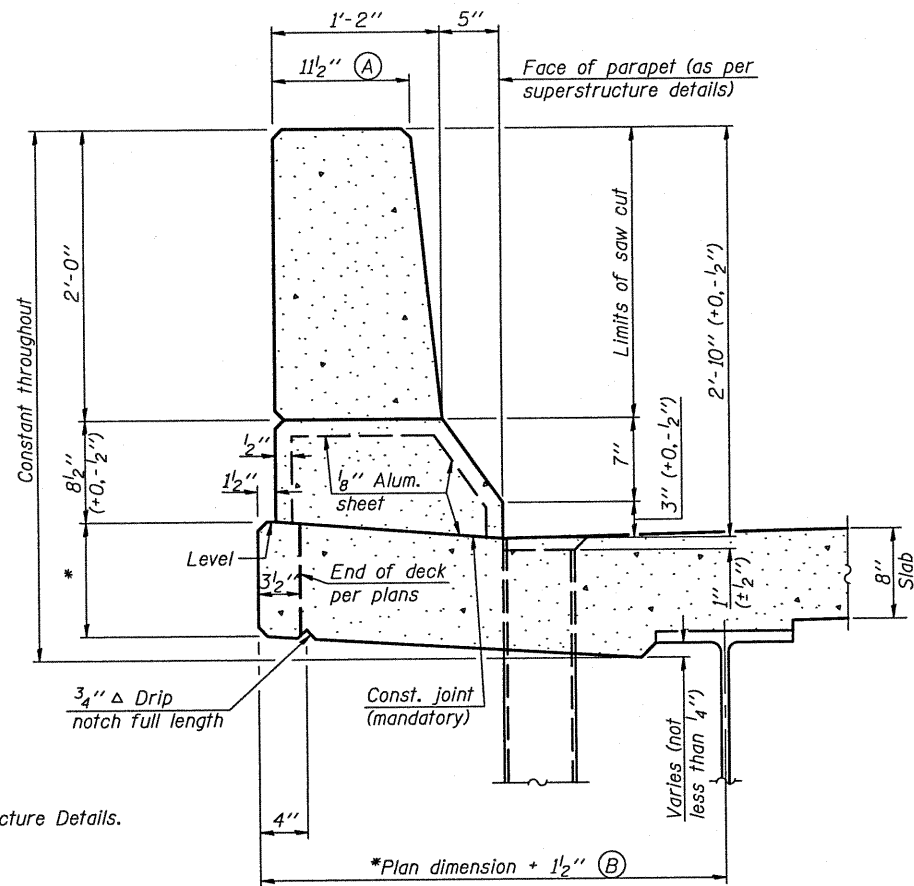
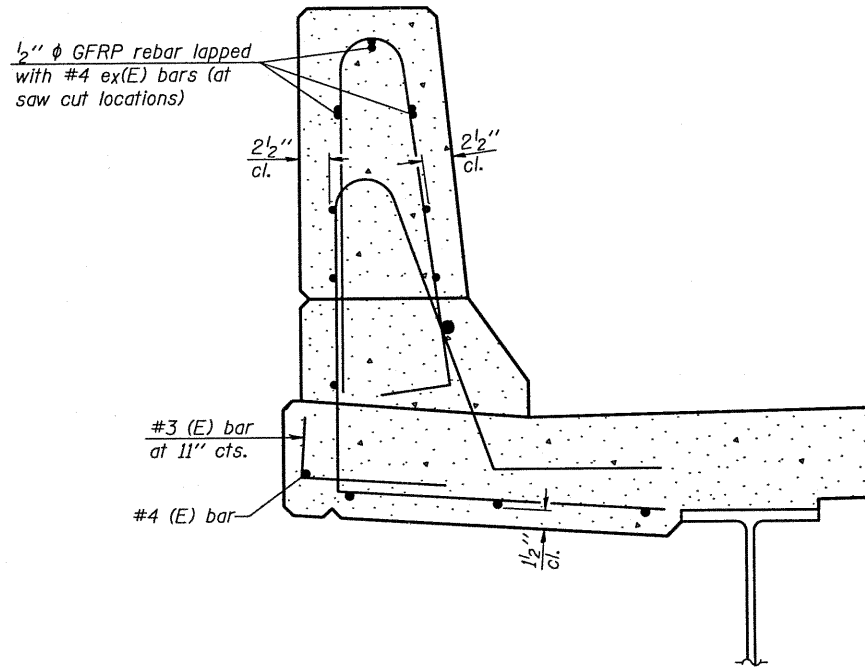


STATE OF ILLINOIS  
DEPARTMENT OF TRANSPORTATION



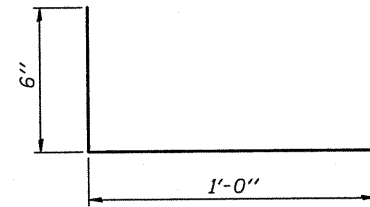
**SECTION**  
(Showing dimensions)

\* See Superstructure Details.

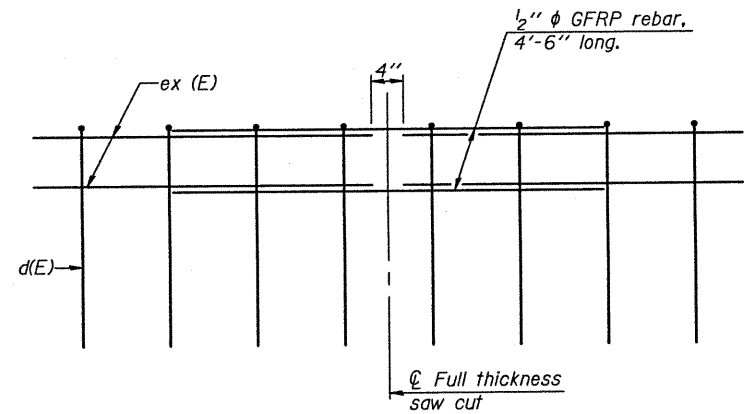


**SECTION**  
(Showing reinforcement clearances for slip forming and additional reinforcement bars)

**GENERAL NOTES**  
All dimensions shall remain the same as shown on superstructure details, except dimensions A and B which are to be revised as shown to provide additional clearance. Additional concrete needed to revise dimension A and B = 0.0165 cu. yds./ft. of parapet.  
Place aluminum sheet in curb portion at and near piers. Full thickness saw cut at all joint locations in lieu of cork joint filler.  
Steel superstructure shown. Other superstructure types similar.



**#3 (E) BAR**



**GFRP REBAR STIFFENING DETAIL**  
(Place as shown in parapet section at each parapet joint location.)

**CONCRETE PARAPET SLIPFORMING OPTION**  
**S.N. 090-0177**  
**STRAND ASSOCIATES, INC.**

|          |     |
|----------|-----|
| DESIGNED | RRD |
| CHECKED  | AJS |
| DRAWN    | KAS |
| CHECKED  | AJS |

|                           |             |              |                           |              |           |
|---------------------------|-------------|--------------|---------------------------|--------------|-----------|
| SHEET NO. 9a<br>22 SHEETS | F.A.P. RTE. | SECTION      | COUNTY                    | TOTAL SHEETS | SHEET NO. |
|                           | 693         | (119 BR-2)BR | TAZEWELL                  | 65           | 26a       |
| FED. ROAD DIST. NO.       |             |              | ILLINOIS FED. AID PROJECT |              |           |
| CONTRACT NO. 68660        |             |              |                           |              |           |