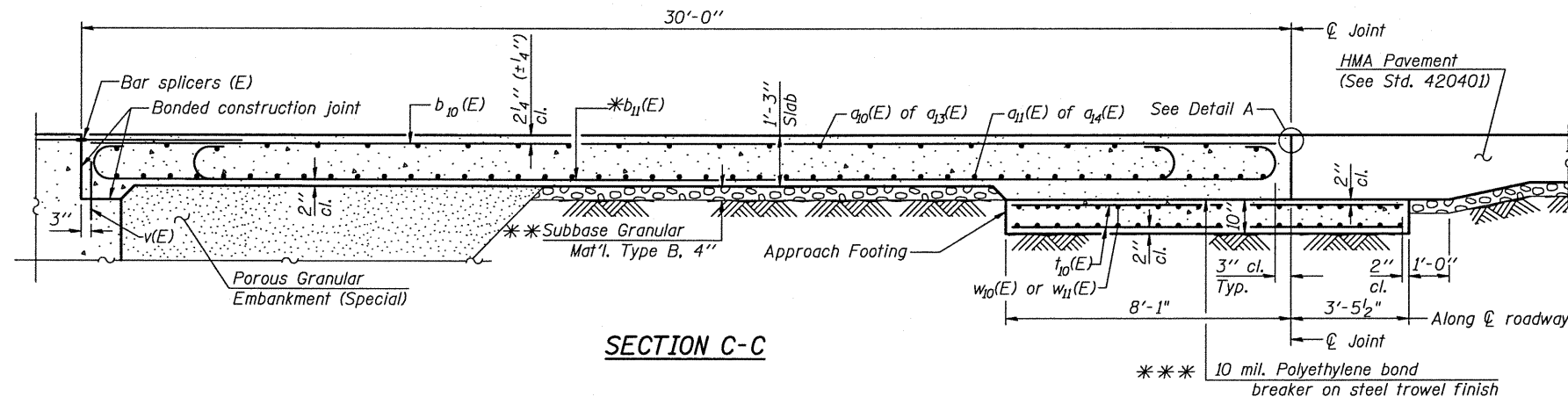
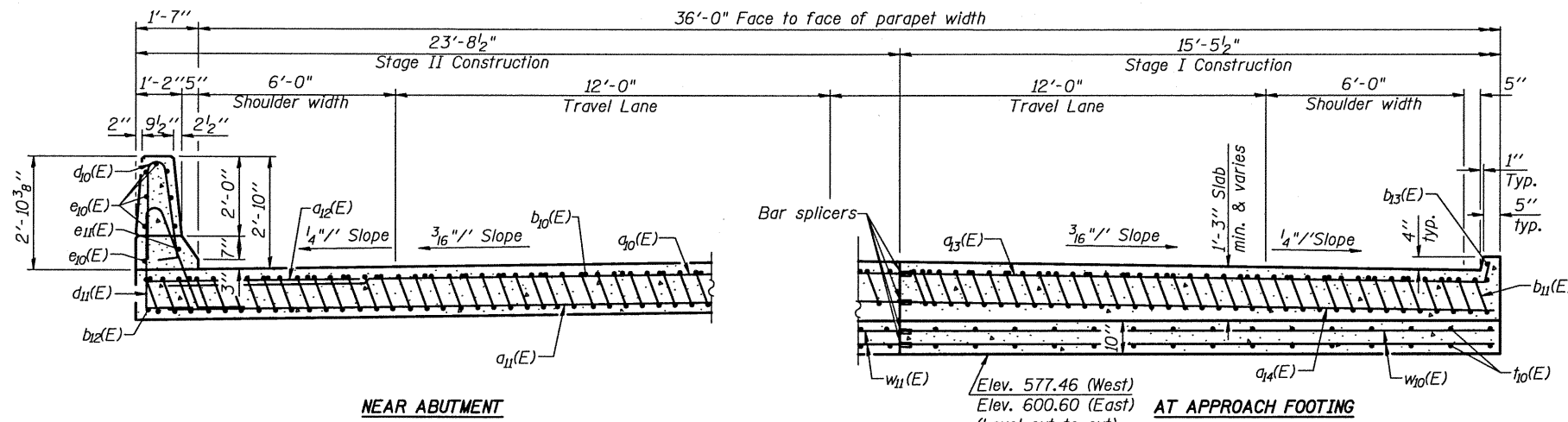


STATE OF ILLINOIS
DEPARTMENT OF TRANSPORTATION

Notes:
See sheet 13 of 22 for Detail A and View B-B.
Approach slab and parapet concrete shall be paid for as Concrete Superstructure.
Approach footing concrete shall be paid for as Concrete Structures.
Reinforcement shall be paid for as Reinforcement Bars, Epoxy Coated.
For $v(E)$ bar details, see sheet 8 of 22.
The approach footing maximum applied service bearing pressure (Q_{max}) = 2.0 ksf.
For bar splicer details, see sheet 19 of 22.
Cost of excavation for approach footing included with Concrete Structures.
For Porous Granular Embankment (Special) and drainage treatment details, see sheet 2 of 22.



SECTION C-C



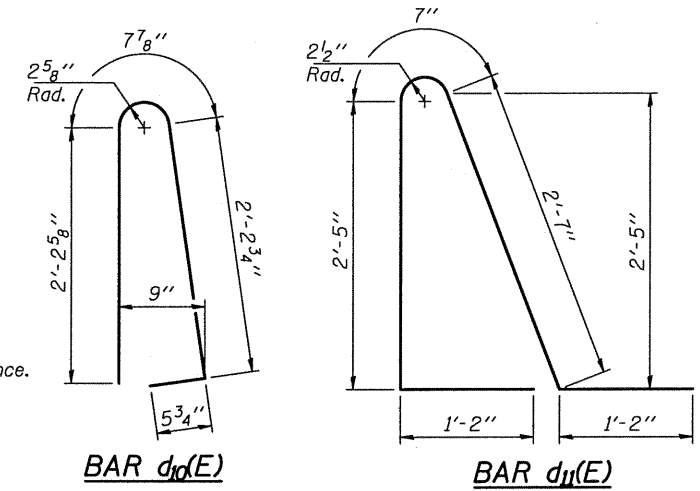
NEAR ABUTMENT

SECTION D-D

(See Plan for dimensions not shown)

AT APPROACH FOOTING

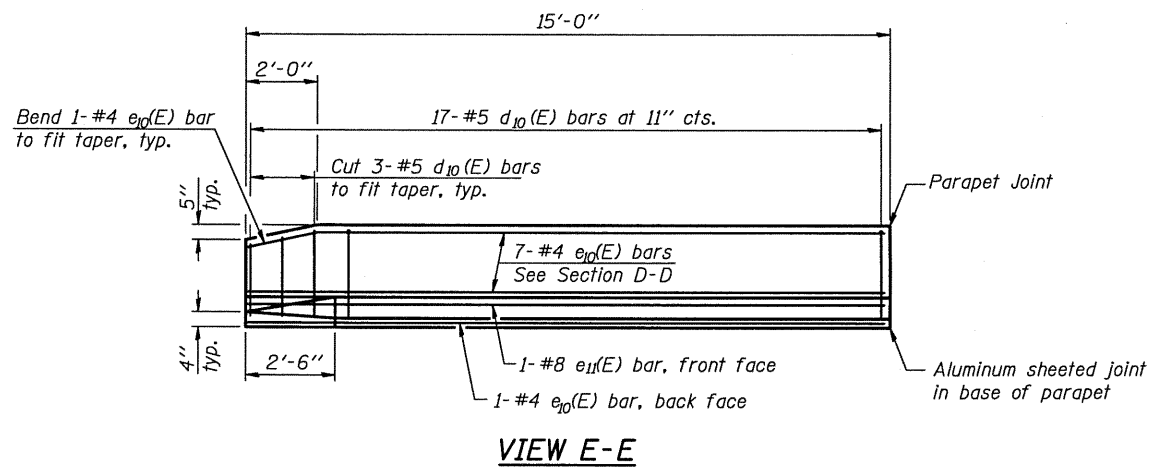
- * Tilt #9 $b(E)$ bars as required to maintain clearance.
- ** Alternate with $a_0(E)$ bars, typ. each parapet.
- *** Cost included with Concrete Superstructure.



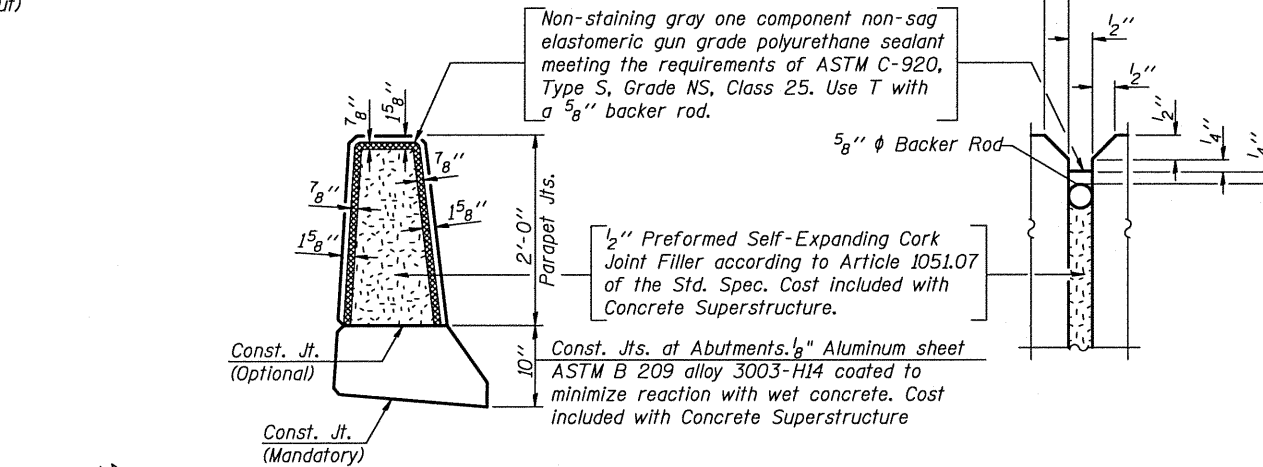
TWO APPROACHES
BILL OF MATERIAL

Bar	No.	Size	Length	Shape
$a_0(E)$	50	#4	26'-7"	—
$a_{11}(E)$	92	#5	26'-2"	—
$a_2(E)$	48	#6	6'-0"	—
$a_3(E)$	50	#4	17'-1"	—
$a_4(E)$	92	#5	16'-8"	—
$b_0(E)$	76	#4	29'-8"	—
$b_{11}(E)$	182	#9	29'-9"	—
$b_2(E)$	4	#4	14'-8"	—
$b_3(E)$	4	#4	15'-4"	—
$d_0(E)$	68	#5	5'-7"	—
$d_{11}(E)$	68	#5	7'-11"	—
$e_0(E)$	32	#4	14'-8"	—
$e_{11}(E)$	4	#8	14'-8"	—
$t_0(E)$	156	#4	11'-2"	—
$w_0(E)$	80	#5	26'-2"	—
$w_{11}(E)$	80	#5	16'-8"	—
Concrete Superstructure		Cu. Yd.	125	
Concrete Structures		Cu. Yd.	27	
Reinforcement Bars, Epoxy Coated		Pound	27,430	*
Reinforcement Bars, Epoxy Coated		Pound	4,740	**

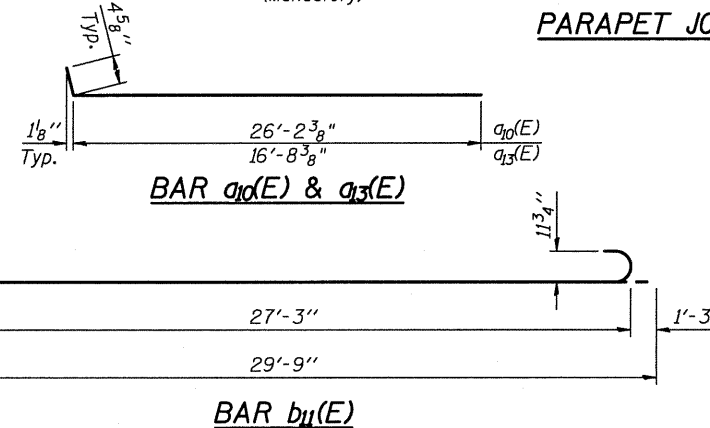
* Included in Superstructure Quantity
** Included in Substructure Quantity



VIEW E-E



PARAPET JOINT DETAILS



BAR $a_{10}(E)$ & $a_{13}(E)$

BAR $b_{11}(E)$

DESIGNED	KHM
CHECKED	AJS
DRAWN	KAS
CHECKED	AJS

BRIDGE APPROACH SLAB DETAILS (2 OF 2)
S.N. 090-0177

STRAND ASSOCIATES, INC.

SHEET NO. 14	F.A.P. RTE.	SECTION	COUNTY	TOTAL SHEETS	SHEET NO.
	693	(119 BR-2)BR	TAZEWELL	65	31
22 SHEETS	CONTRACT NO. 68660				
FED. ROAD DIST. NO.		ILLINOIS	FED. AID PROJECT		