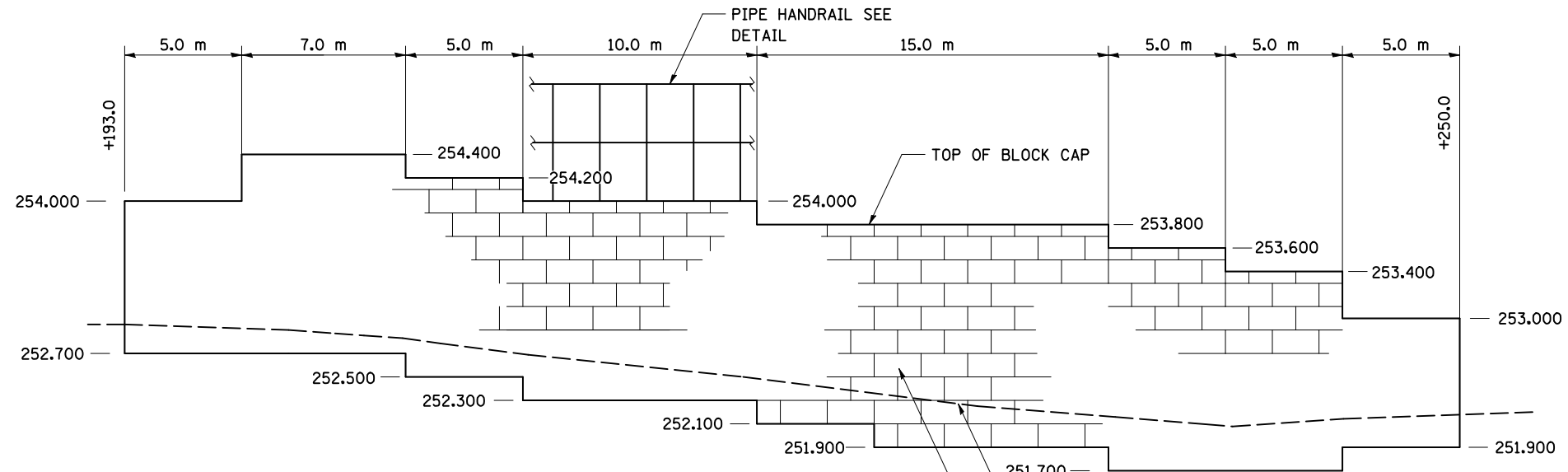
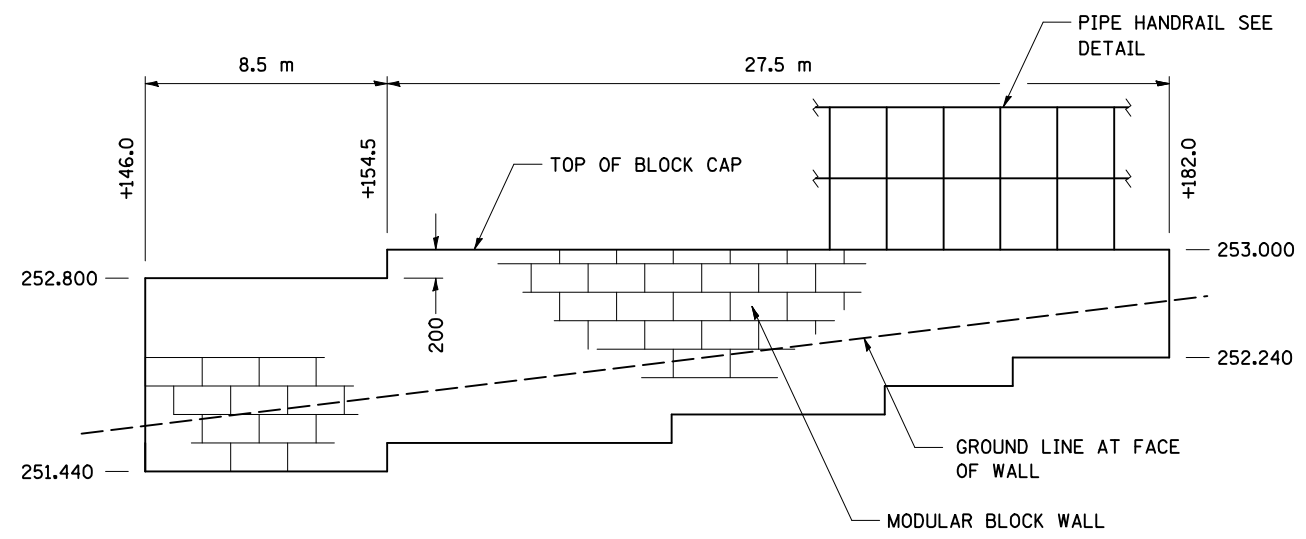


F.A.P. RTE.	SECTION	COUNTY	TOTAL SHEETS	SHEET NO.
704	(1)N & TS-1	McLEAN	497	310
STA. N/A		TO STA. N/A		
FED. ROAD DIST. NO.		ILLINOIS FED. AID PROJECT		
CONTRACT NO. 70514				

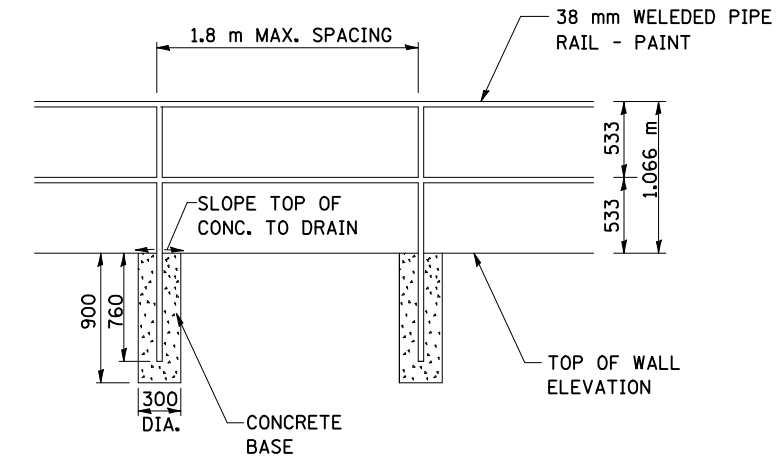


**MODULAR BLOCK WALL ELEVATION**  
 NOT TO SCALE  
 MORRIS AVE. STA. 0+193.0 TO 0+250.0, RT.

NOTES:  
 1. ELEVATIONS ARE FOR PURPOSES OF SHOWING GENERAL LAYOUT AND QUANTITY COMPUTATION. CONTRACTOR TO SUBMIT MANUFACTURER'S SHOP DRAWINGS SIGNED BY AN ILLINOIS LICENSED STRUCTURAL ENGINEER.



**MODULAR BLOCK WALL ELEVATION**  
 NOT TO SCALE  
 MORRIS AVE. STA. 0+146.0 TO 0+182.0, LT.



**PIPE HANDRAIL DETAIL**  
 NOT TO SCALE

REVISIONS		ILLINOIS DEPARTMENT OF TRANSPORTATION
NAME	DATE	
		SPECIAL DETAILS
DATE 05-27-09		DRAWN BY PMH CHECKED BY PMH