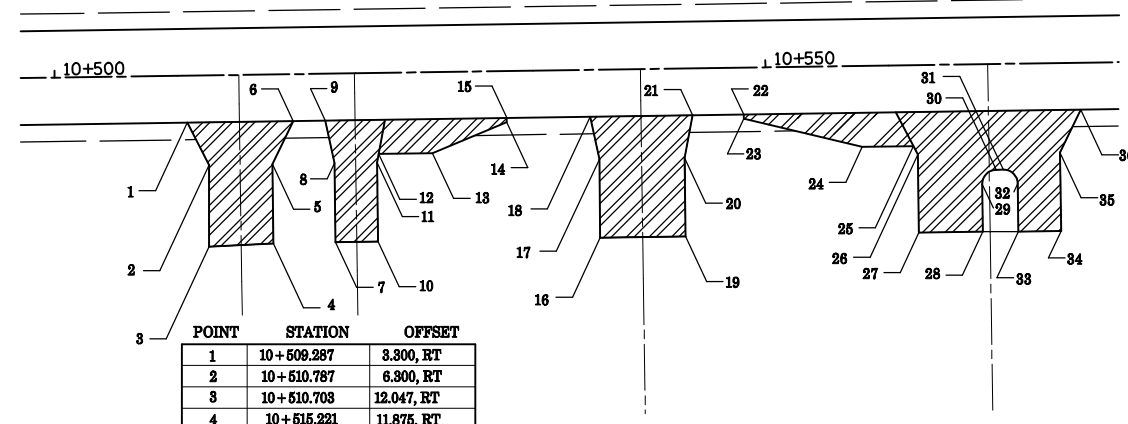
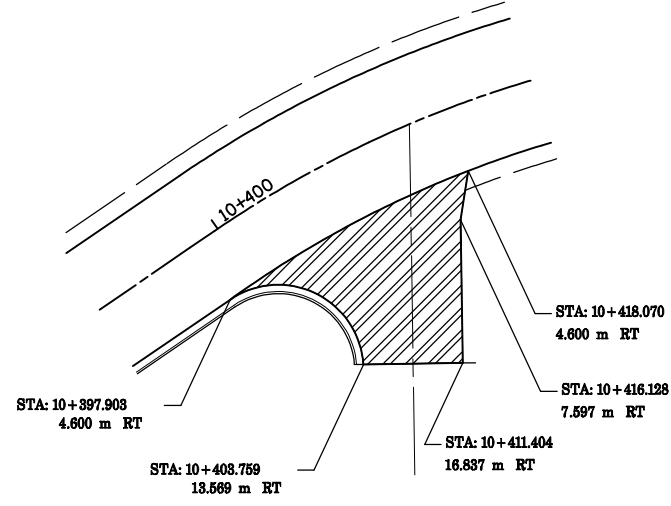
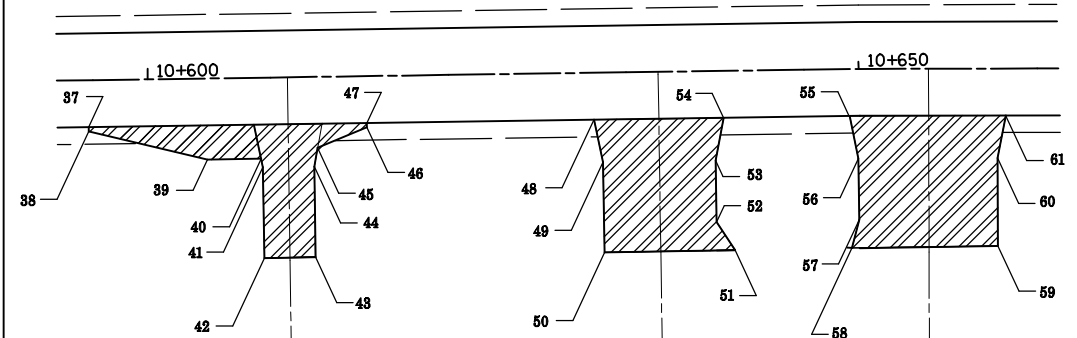
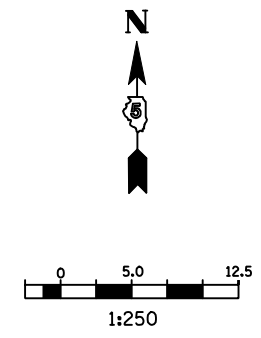


F.A.P. RTE.	SECTION	COUNTY	TOTAL SHEETS	SHEET NO.
704	(1)N & TS-1	McLEAN	497	321
STA. 10+400.000		TO STA. 10+785.000		
FED. ROAD DIST. NO.		ILLINOIS	FED. AID PROJECT	
CONTRACT NO. 70514				

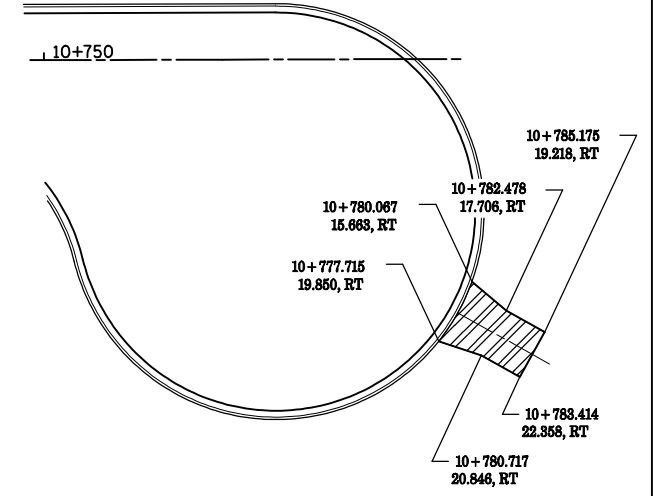
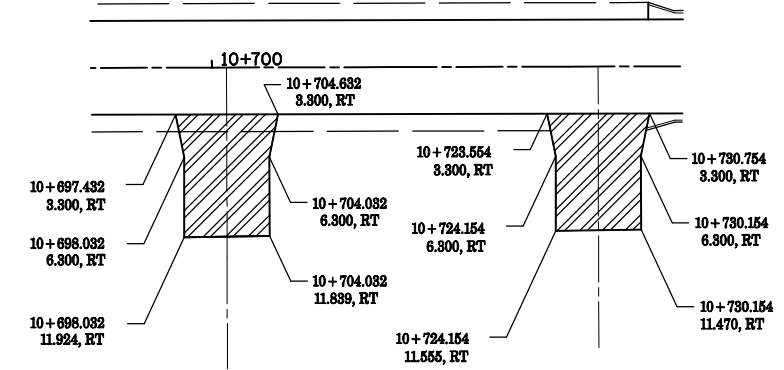


POINT	STATION	OFFSET
1	10+509.287	3.300, RT
2	10+510.787	6.300, RT
3	10+510.703	12.047, RT
4	10+515.221	11.875, RT
5	10+515.227	6.300, RT
6	10+516.730	3.300, RT
7	10+519.588	11.856, RT
8	10+519.598	6.300, RT
9	10+519.002	3.300, RT
10	10+522.584	11.850, RT
11	10+522.593	6.300, RT
12	10+522.714	5.700, RT
13	10+526.484	5.700, RT
14	10+531.746	3.600, RT
15	10+531.746	3.300, RT

POINT	STATION	OFFSET
16	10+538.201	11.820, RT
17	10+538.224	6.300, RT
18	10+537.637	3.300, RT
19	10+544.201	11.808, RT
20	10+544.225	6.300, RT
21	10+544.839	3.300, RT
22	10+548.418	3.300, RT
23	10+548.418	6.300, RT
24	10+556.728	5.700, RT
25	10+560.328	5.700, RT
26	10+560.628	6.300, RT
27	10+560.625	11.777, RT
28	10+560.124	11.769, RT
29	10+565.128	8.443, RT
30	10+566.136	7.442, RT
31	10+566.626	7.442, RT
32	10+567.625	8.442, RT
33	10+567.625	7.442, RT
34	10+570.626	11.813, RT
35	10+570.626	6.300, RT
36	10+572.126	3.300, RT



POINT	STATION	OFFSET
37	10+595.802	3.300, RT
38	10+595.802	3.600, RT
39	10+604.118	5.700, RT
40	10+607.899	5.700, RT
41	10+608.019	6.300, RT
42	10+608.023	12.687, RT
43	10+611.607	12.680, RT
44	10+611.622	6.300, RT
45	10+611.884	4.994, RT
46	10+615.368	3.600, RT
47	10+615.368	3.300, RT
48	10+631.335	3.300, RT
49	10+631.941	6.300, RT
50	10+631.954	12.642, RT
51	10+641.139	12.624, RT
52	10+639.861	10.626, RT
53	10+639.864	6.300, RT
54	10+640.455	3.300, RT
55	10+649.332	3.300, RT
56	10+649.972	6.302, RT
57	10+649.894	10.606, RT
58	10+649.348	12.586, RT
59	10+659.770	12.474, RT
60	10+659.748	6.300, RT
61	10+660.348	3.300, RT



REVISIONS	
NAME	DATE

ILLINOIS DEPARTMENT OF TRANSPORTATION
 DRIVEWAY DETAILS
 GREENWOOD AVENUE
 2 OF 2
 DATE 05-27-09
 DRAWN BY MAC
 CHECKED BY PMH

GREENWOOD AVENUE DRIVEWAY DETAILS