

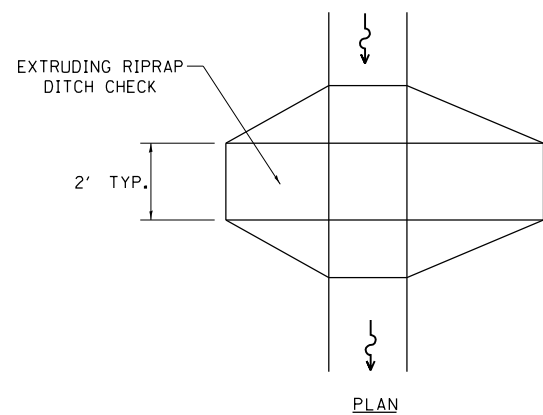
LEGEND FOR STORM WATER POLLUTION PREVENTION PLAN

ITEM	SYMBOL
AGGREGATE (EROSION CONTROL) [STONE DUMPED RIPRAP DITCH CHECKS: Height = 0.6m (2') ]	
TEMPORARY DITCH CHECKS (APPROVED SUBSTITUTION)	
INLET PIPE PROTECTION (I&PP) (APPROVED SUBSTITUTION)	
PERIMETER EROSION BARRIER	
EARTH EXCAVATION FOR EROSION CONTROL (SEDIMENT BASINS)	
PRESERVE EXISTING TREES, WOODLANDS, AND UNDERSTORY (OUTSIDE CONSTRUCTION LIMITS)	
ITEM PLACED AT BEGINNING OF CONSTRUCTION (Requirement)	* ITEM *
ITEM PLACED AS DIRECTED BY ENGINEER (When required by situation)	ITEM
DIRECTION OF OVERLAND FLOW	

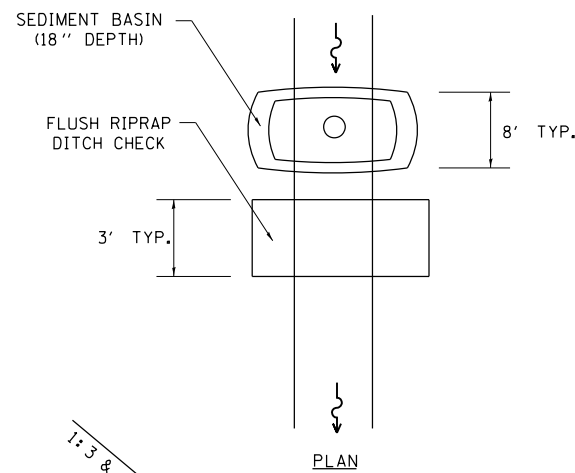
GENERAL NOTES:

All items shall be constructed as shown on this sheet, on Standard 280001, and as directed by the Engineer.

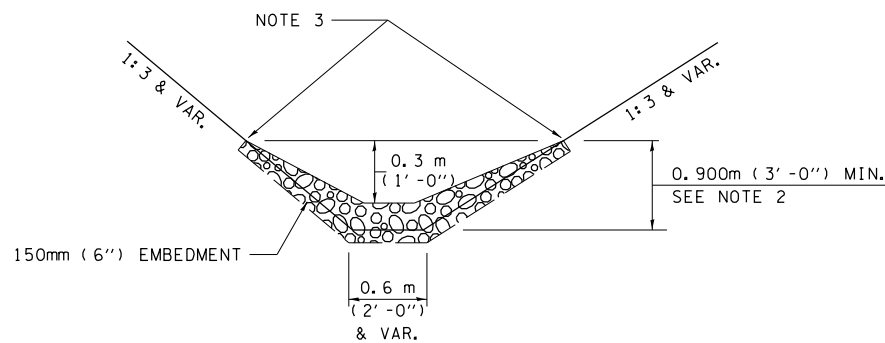
**THE CONTRACTOR SHALL INSTALL DITCH CHECKS AS DIRECTED BY THE ENGINEER. IF THE ENGINEER ELECTS TO UTILIZE FLUSH RIPRAP DITCH CHECKS IN LIEU OF TEMPORARY DITCH CHECKS AS SHOWN ON THE FOLLOWING PLAN SHEETS, THE SPACING SHOULD BE DOUBLED.**



PLAN



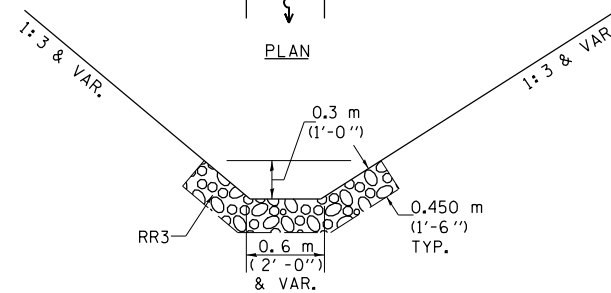
PLAN



ELEVATION

OPTION 1

(EXTRUDING DITCH CHECK)  
RECOMMENDED FOR AREAS  
W/ RIPRAP DITCH LINING



ELEVATION

OPTION 2

(FLUSH DITCH CHECK)  
RECOMMENDED FOR AREAS  
W/O RIPRAP DITCH LINING

STONE DUMPED RIPRAP DITCH CHECK

(TYPICAL & OPTIONS 1 & 2  
AS DIRECTED BY THE ENGINEER)

NOTE 1: RIPRAP SHALL EXTEND FAR ENOUGH UP THE SLOPES TO ALLOW 0.3m (1') OVERTOPPING TO AVOID ERODING AROUND THE EDGES OF THE RIPRAP.

NOTE 2: ENDS SHALL BE TIED INTO SLOPES.

FILE NAME =	USER NAME = laughlinc1	DESIGNED - CWG	REVISED -
et:\pwork\pwork\laughlinc1\0232385\0672692-sh-t-SWPP.dgn		DRAWN - BWC	REVISED -
	PLOT SCALE = 100.00' / in.	CHECKED - RMD	REVISED -
	PLOT DATE = Aug-12-2010 11:50:10AM	DATE - 02/09/09	REVISED -

STATE OF ILLINOIS  
DEPARTMENT OF TRANSPORTATION

STORM WATER POLLUTION PREVENTION PLAN

SCALE: SHEET NO. 4 OF 5 SHEETS STA. TO STA.

F.A.U. RTE.	SECTION	COUNTY	TOTAL SHEETS	SHEET NO.
8159	110X-3VB-4	SANGAMON	78	20
CONTRACT NO. 72692				
FED. ROAD DIST. NO. ILLINOIS FED. AID PROJECT				