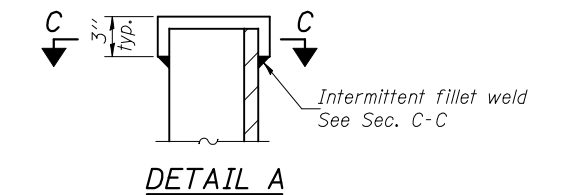
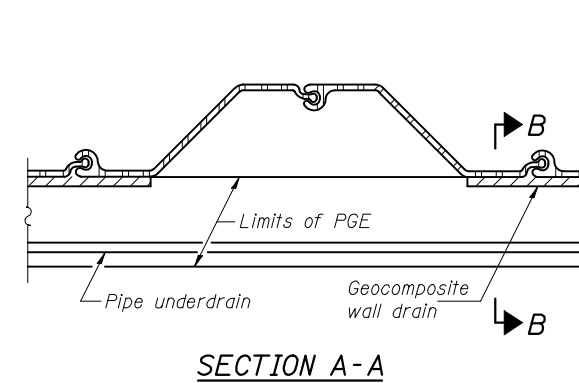
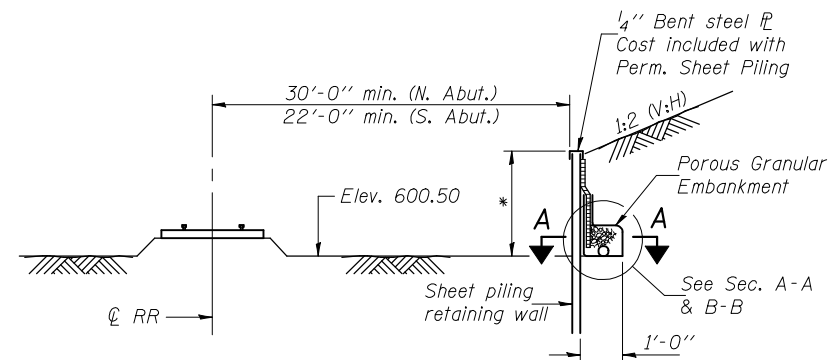
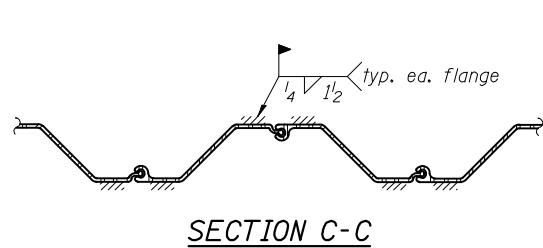
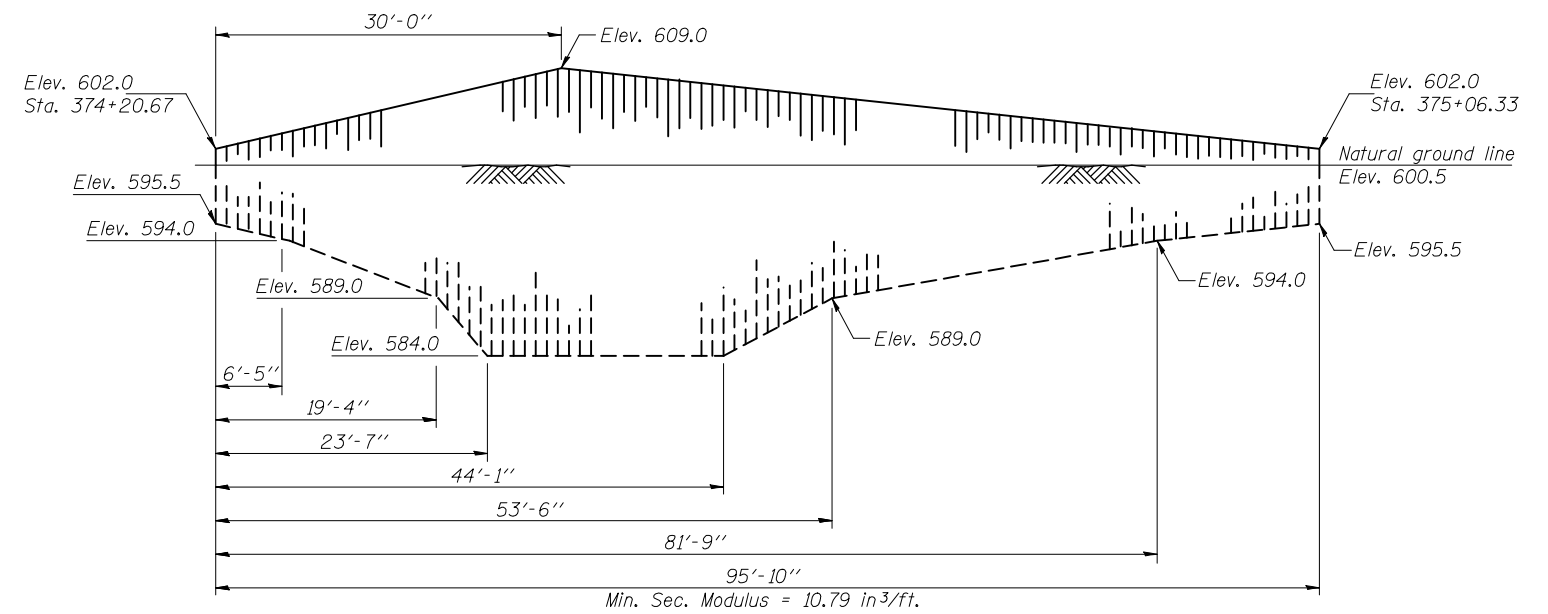
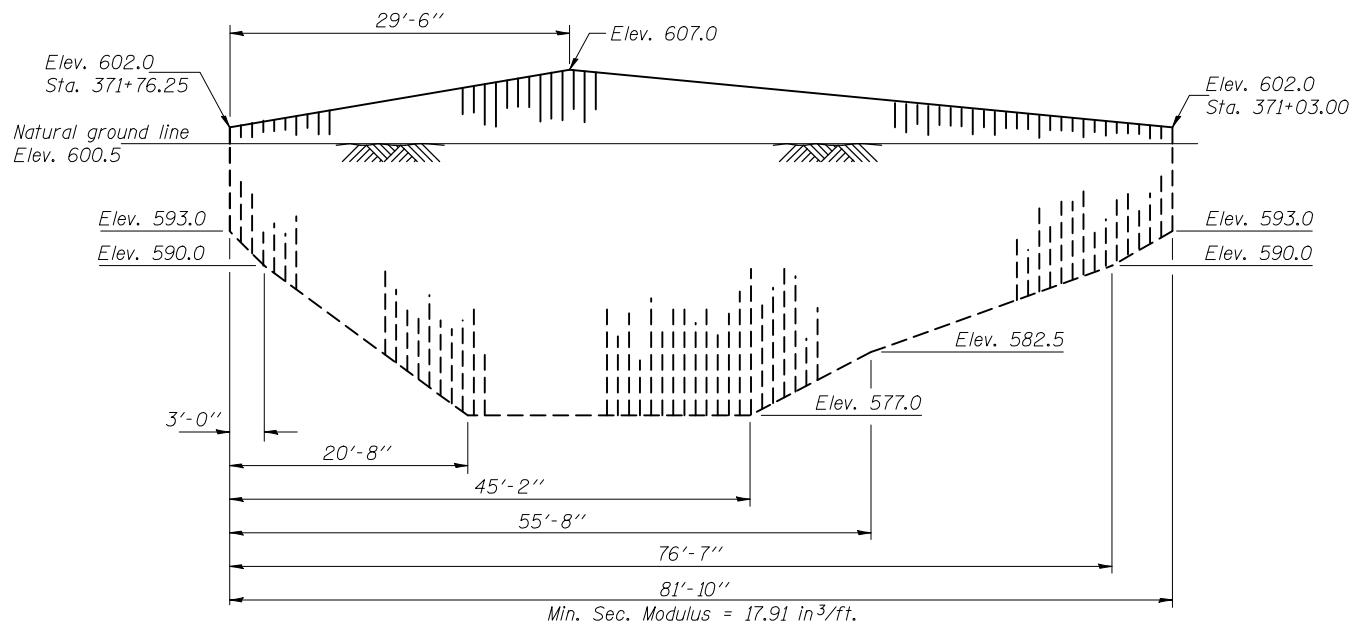
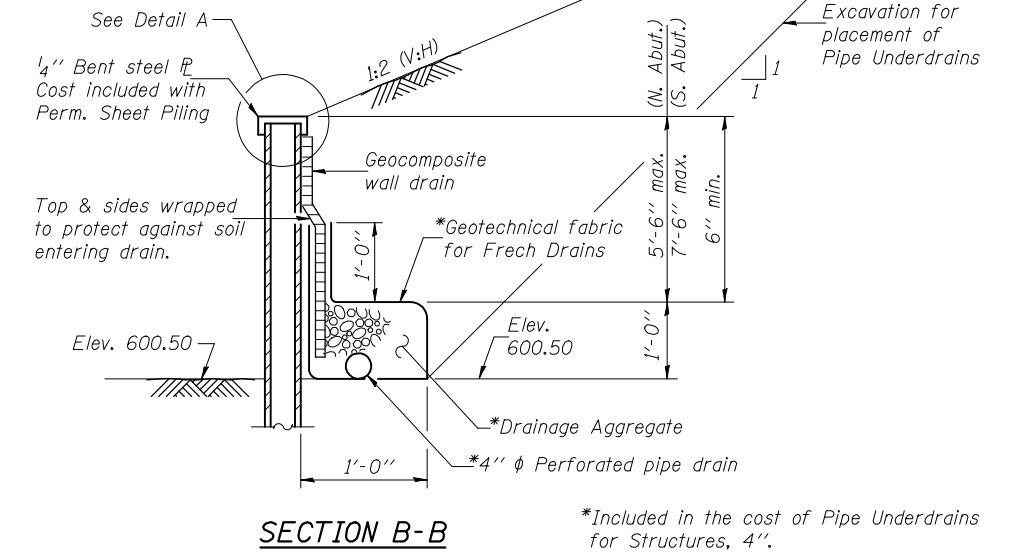
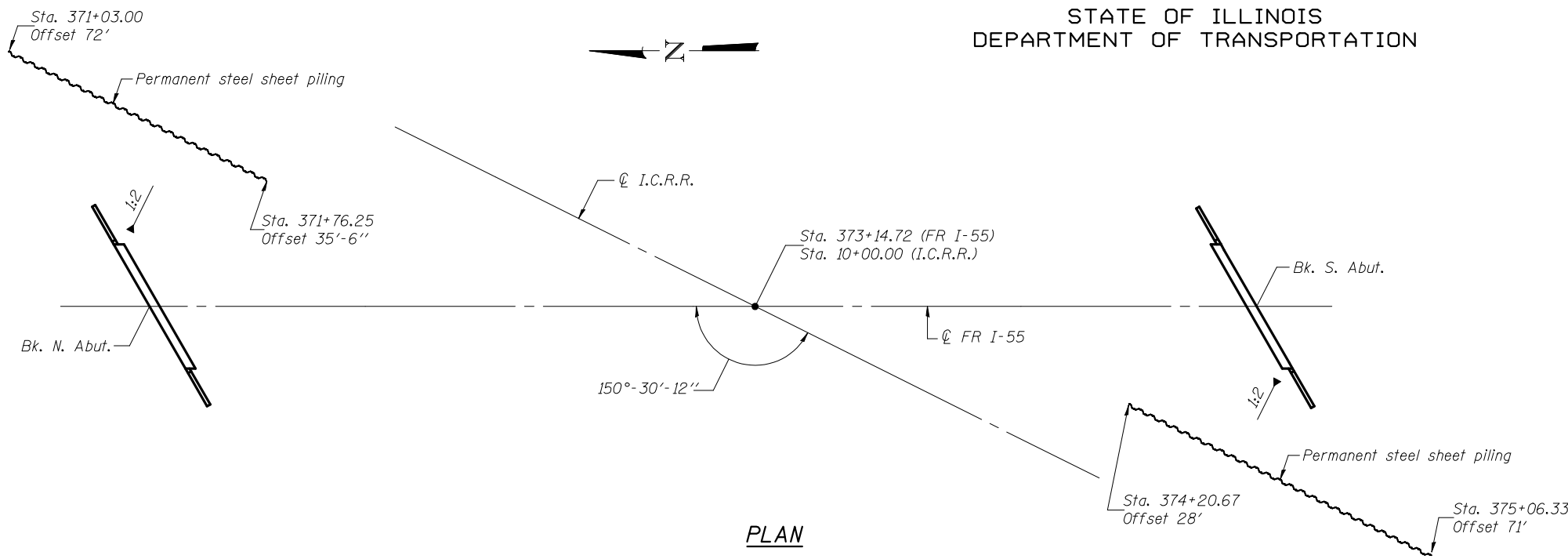


STATE OF ILLINOIS
DEPARTMENT OF TRANSPORTATION



**SHEET PILING RETAINING WALL DETAILS
STRUCTURE NO. 084-0517**

DESIGNED	Nicholas R. Barnett
CHECKED	Michael D. Rolape
DRAWN	h.t. duong
CHECKED	NRB/MDR

EXAMINED	September 17, 2018
PASSED	Thomas J. Domagala ENGINEER OF BRIDGE DESIGN
	Ralph E. Anderson ENGINEER OF BRIDGES AND STRUCTURES

SHEET NO. 3 27 SHEETS	F.A.U. RTE.	SECTION	COUNTY	TOTAL SHEETS	SHEET NO.
	8159	110X-3VB-4	SANGAMON	78	28
			CONTRACT NO. 72692		
ILLINOIS FED. AID PROJECT					