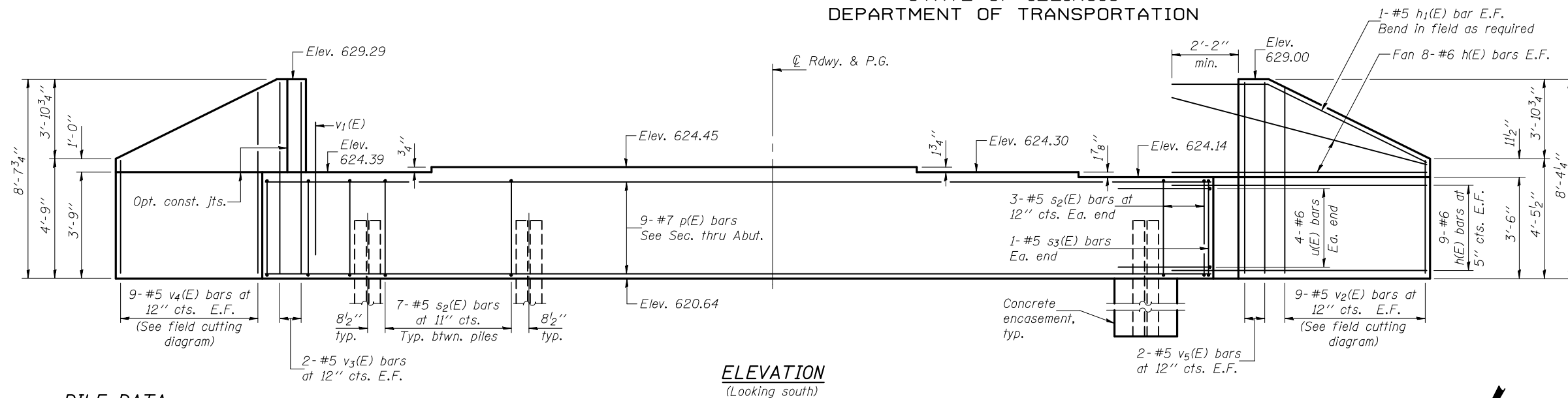
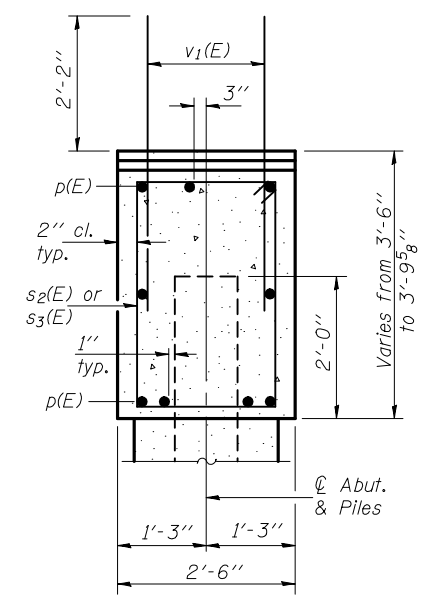


STATE OF ILLINOIS
DEPARTMENT OF TRANSPORTATION

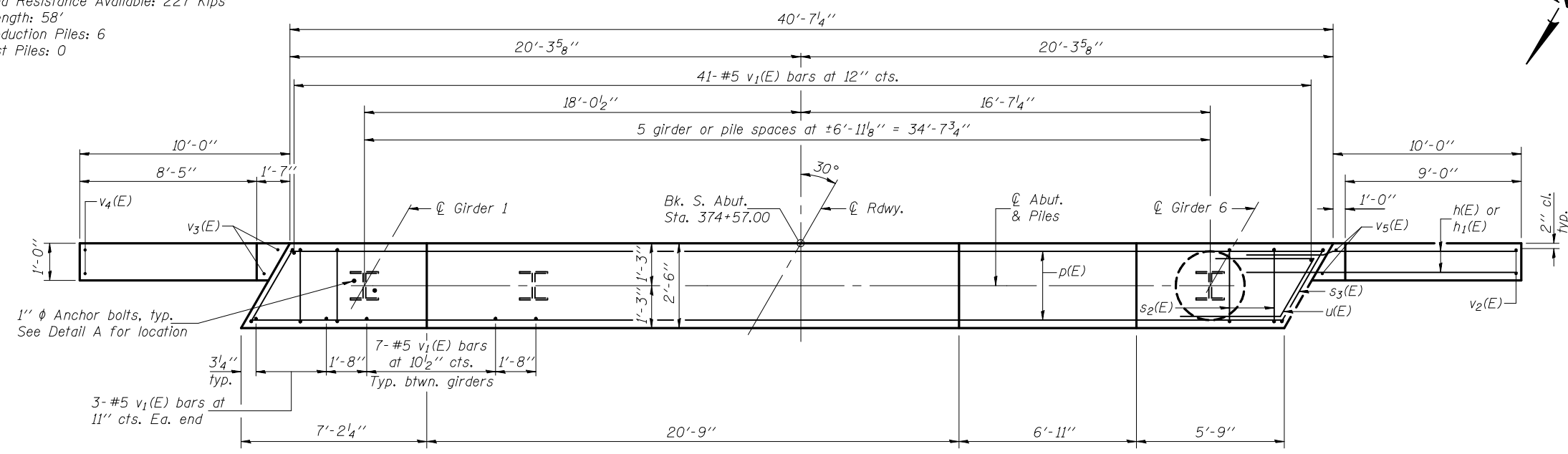


ELEVATION
(Looking south)



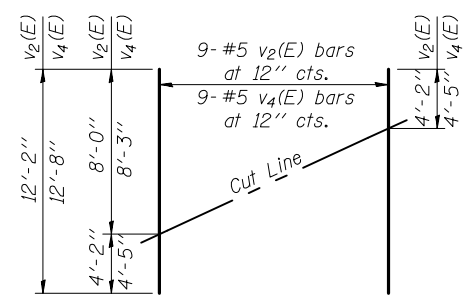
SEC. THRU ABUT.

PILE DATA
Type: Steel HP10x57 with Pile Shoes
Nominal Required Bearing: 454 Kips
Factored Resistance Available: 227 Kips
Est. Length: 58'
No. Production Piles: 6
No. Test Piles: 0



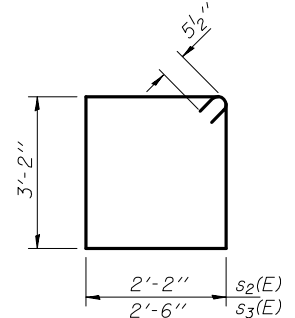
PLAN

Notes: Four steps monolithically with cap.
For details of bar splicers, see sheet 23 of 27.
For details of piles and concrete encasement, see sheet 25 of 27.

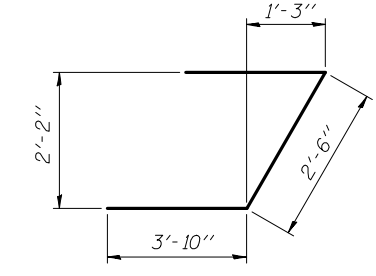


FIELD CUTTING DIAGRAM

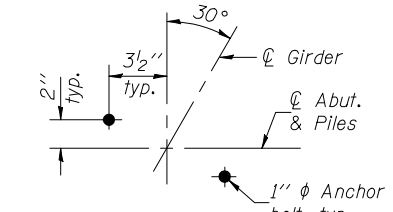
Order v₂(E) & v₄(E) full length.
Cut as shown and use remainder of bars in opposite face.



BARS s₂(E) & s₃(E)



BAR u(E)



DETAIL A

BILL OF MATERIAL

Bar	No.	Size	Length	Shape
h(E)	68	#6	12'-9"	—
h ₁ (E)	4	#5	13'-6"	—
p(E)	9	#7	40'-3"	—
s ₂ (E)	41	#5	11'-7"	□
s ₃ (E)	2	#5	12'-3"	□
u(E)	8	#6	10'-2"	┘
v ₁ (E)	82	#5	4'-4"	—
v ₂ (E)	9	#5	12'-2"	—
v ₃ (E)	4	#5	8'-4"	—
v ₄ (E)	9	#5	12'-8"	—
v ₅ (E)	4	#5	8'-1"	—
Structure Excavation	Cu. Yd.		94	
Concrete Structures	Cu. Yd.		19.0	
Reinforcement Bars, Epoxy Coated	Pound		3410	
Furnishing Steel Piles HP10x57	Foot		348	
Driving Piles	Foot		348	
Pile Shoes	Each		6	
Concrete Encasement	Cu. Yd.		2.1	
Anchor Bolts, 1" φ	Each		12	

DESIGNED Nicholas R. Barnett
CHECKED Michael D. Rolape
DRAWN h.t. duong
CHECKED NRB/MDR

September 17, 2018
EXAMINED Thomas J. Domagala
PASSED Ralph E. Anderson

**SOUTH ABUTMENT
STRUCTURE NO. 084-0517**

SHEET NO. 19 27 SHEETS	F.A.U. RTE.	SECTION	COUNTY	TOTAL SHEETS	SHEET NO.
	8159	110X-3VB-4	SANGAMON	78	44
CONTRACT NO. 72692					
ILLINOIS FED. AID PROJECT					