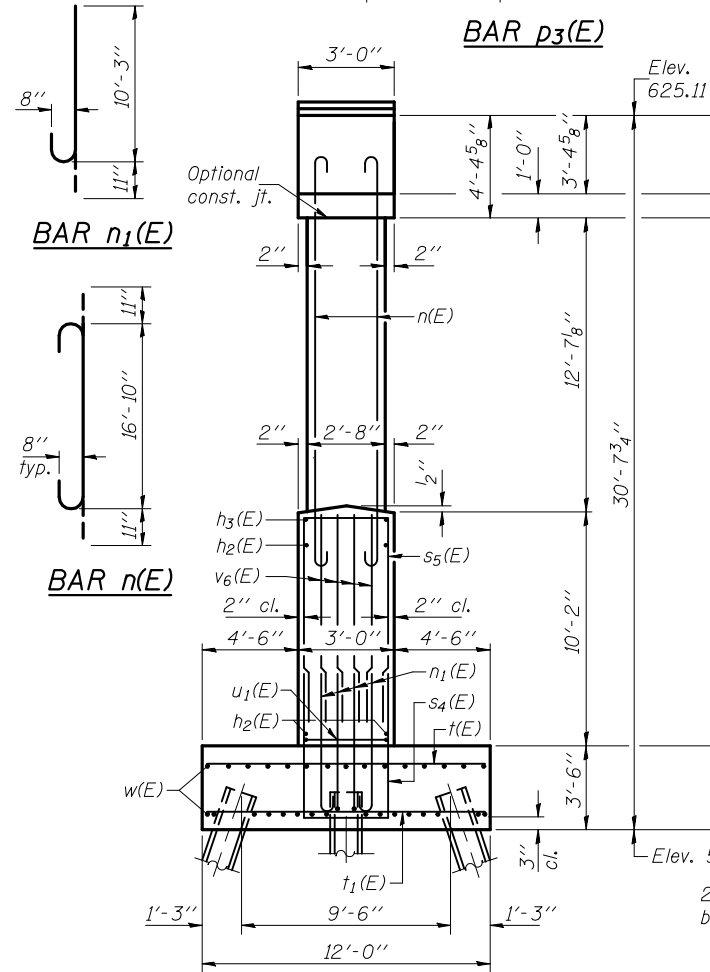
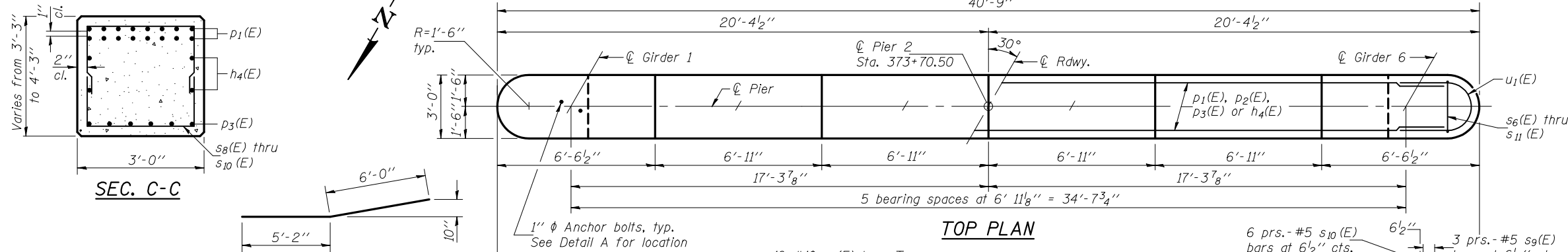


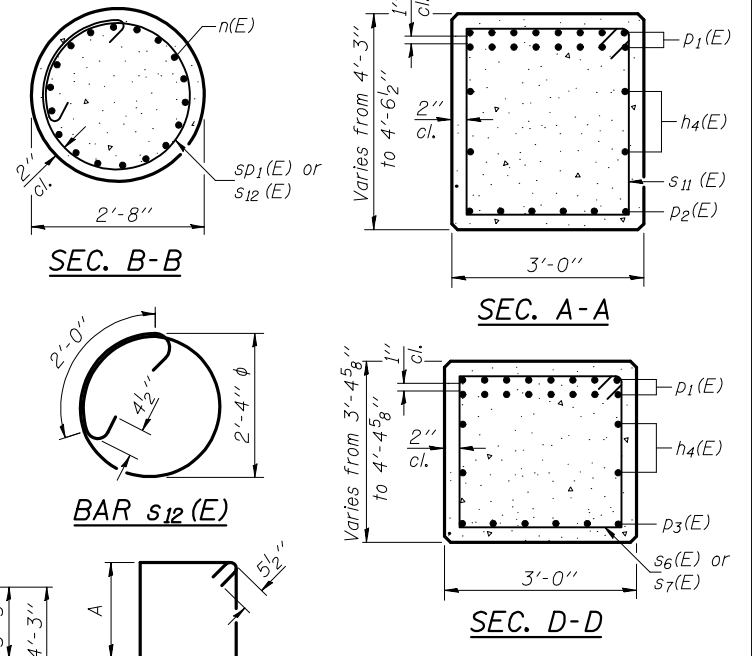
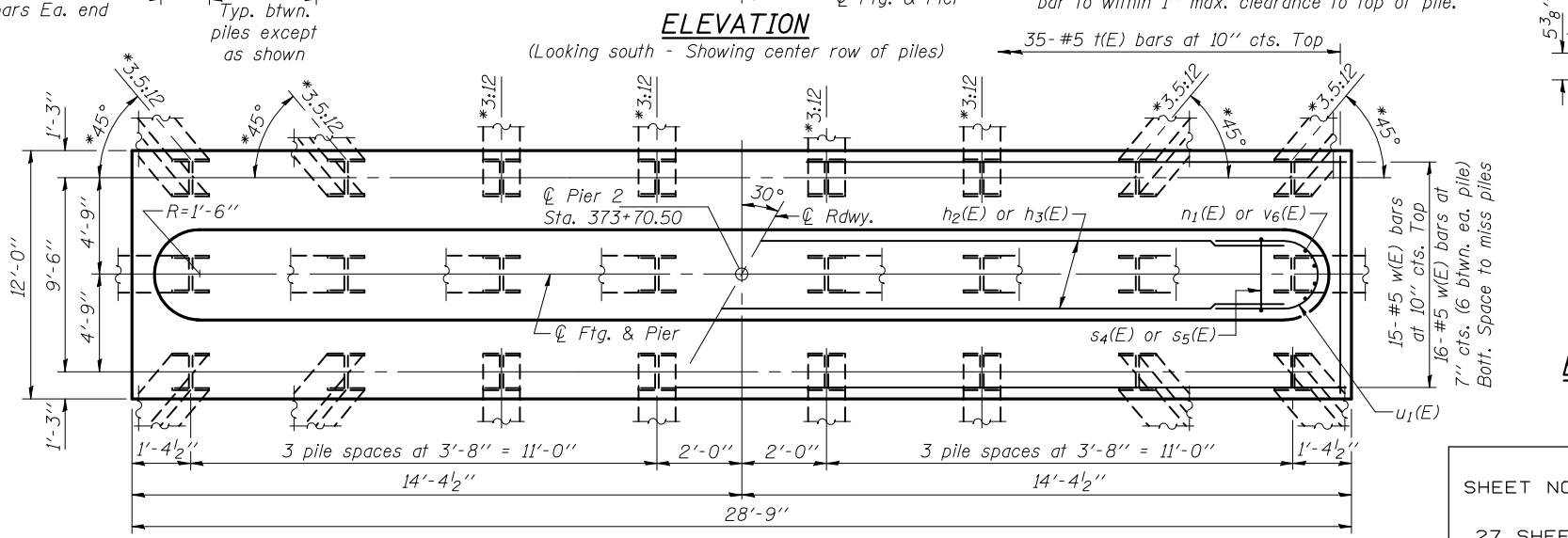
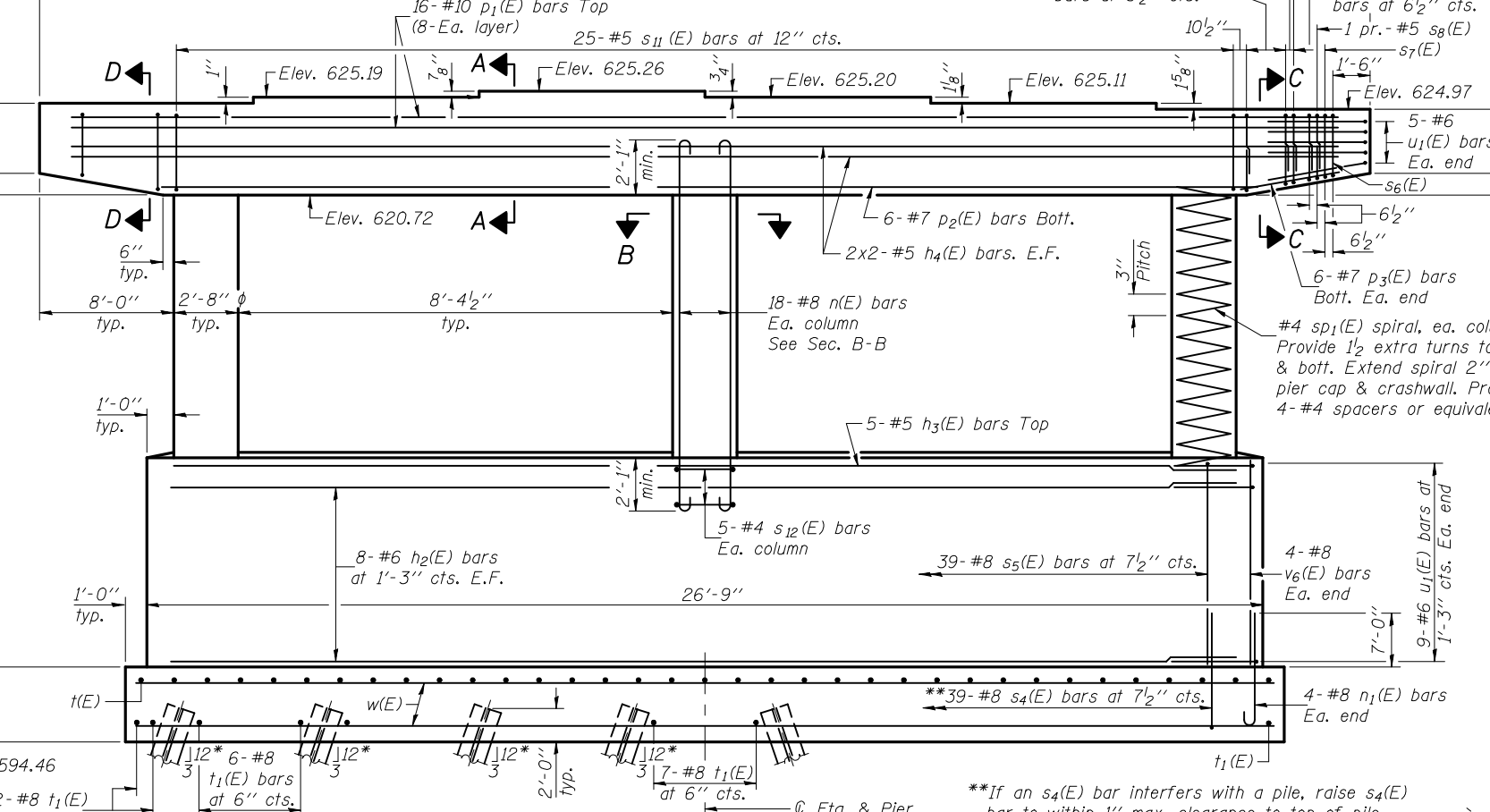
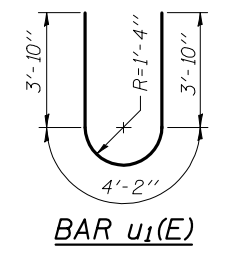
Notes: Space reinforcement in cap to miss anchor bolts.
Four steps monolithically with cap.
For details of piles, see sheet 25 of 27.

STATE OF ILLINOIS
DEPARTMENT OF TRANSPORTATION



MIN. BAR LAP
#5 bar = 3'-3"

PILE DATA
Type: Steel HP12x53 with Pile Shoes
Nominal Required Bearing: 418 Kips
Factored Resistance Available: 209 Kips
Est. Length: 32'
No. Production Piles: 24
No. Test Piles: 0



BARS s6(E), s7(E) & s11(E)

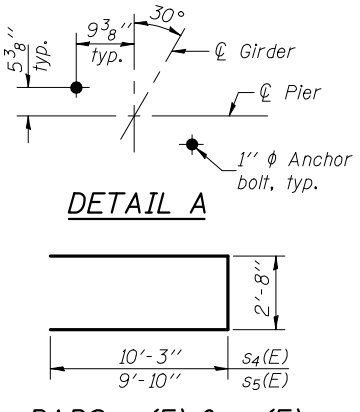
Bar	A
s6(E)	3'-1"
s7(E)	3'-2"
s11(E)	3'-11"

BARS s8(E), s9(E) & s10(E)

Bar	B
s8(E)	3'-3"
s9(E)	3'-4"
s10(E)	3'-7"

BILL OF MATERIAL

Bar	No.	Size	Length	Shape
h2(E)	16	#6	23'-9"	—
h3(E)	5	#5	23'-9"	—
h4(E)	8	#5	20'-6"	—
n(E)	54	#8	18'-8"	U
n1(E)	8	#8	11'-2"	U
p1(E)	16	#10	37'-9"	—
p2(E)	6	#7	25'-9"	—
p3(E)	12	#7	11'-2"	—
s4(E)	39	#8	23'-2"	U
s5(E)	39	#8	22'-4"	U
s6(E)	2	#5	12'-5"	□
s7(E)	2	#5	12'-7"	□
s8(E)	4	#5	9'-2"	□
s9(E)	12	#5	9'-4"	□
s10(E)	24	#5	9'-10"	□
s11(E)	25	#5	14'-1"	□
s12(E)	15	#4	10'-1"	○
** sp1(E)	3	#4	13'-0"	W
t(E)	35	#5	11'-8"	—
t1(E)	47	#8	11'-8"	—
u1(E)	28	#6	11'-10"	U
v6(E)	8	#8	9'-10"	—
w(E)	31	#5	28'-5"	—



BARS s4(E) & s5(E)

PIER 2

Structure Excavation	Cu. Yd.	118.0
Concrete Structures	Cu. Yd.	97.0
Reinforcement Bars, Epoxy Coated	Pound	16560
Furnishing Steel Piles HP12x53	Foot	768
Driving Piles	Foot	768
Pile Shoes	Each	24
Anchor Bolts 1" φ	Each	12

**Length is height of spiral.

DESIGNED Nicholas R. Barnett
CHECKED Michael D. Rolape
DRAWN h.t. duong
CHECKED NRB/MDR

September 17, 2010
EXAMINED Thomas J. Domagala
PASSED Ralph E. Anderson

SHEET NO.	F.A.U. RTE.	SECTION	COUNTY	TOTAL SHEETS	SHEET NO.
21	8159	110X-3VB-4	SANGAMON	78	46
CONTRACT NO. 72692					

ILLINOIS FED. AID PROJECT