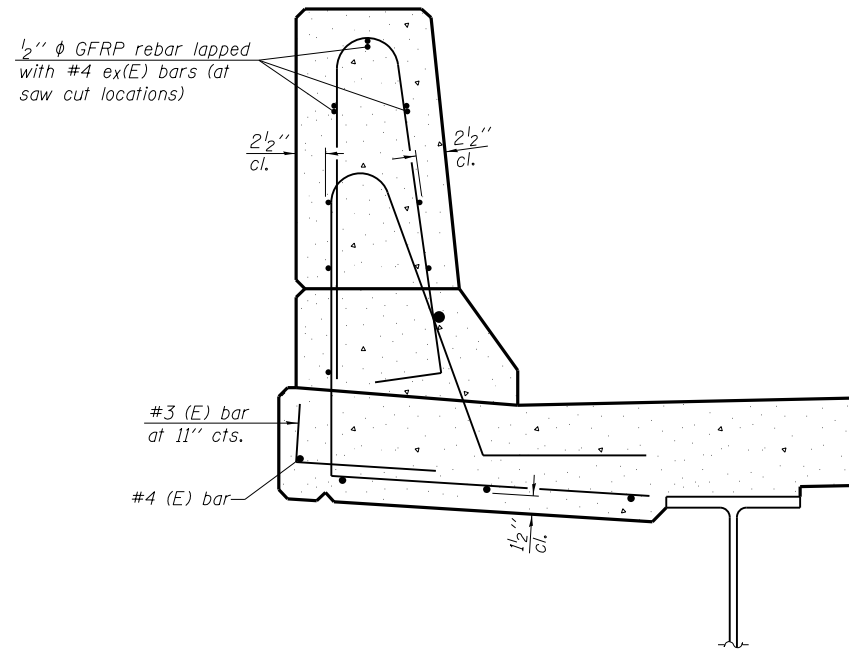
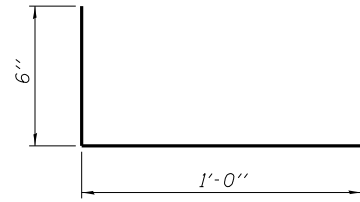


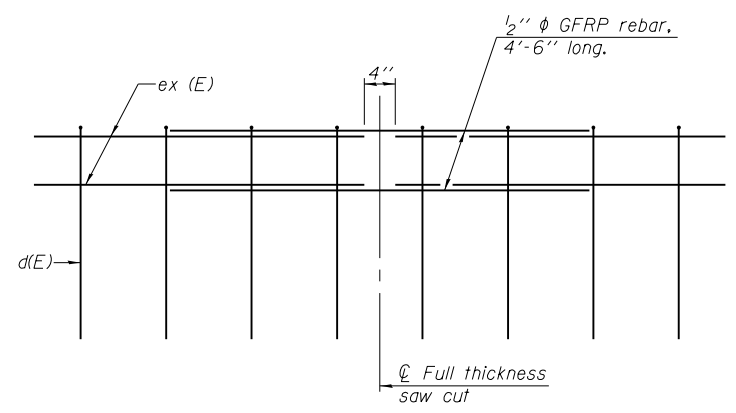
SECTION
(Showing dimensions)



SECTION
(Showing reinforcement clearances for slip forming and additional reinforcement bars)



#3 (E) BAR



GFRP REBAR STIFFENING DETAIL
(Place as shown in parapet section at each parapet joint location.)

* See Superstructure Details.

DESIGNED	RJP
CHECKED	ADL
DRAWN	RJP
CHECKED	ADL

SFP-34 11-1-09

**CONCRETE PARAPET
SLIPFORMING OPTION
S.N. 085-0514**

SHEET NO.38 45 SHEETS	F.A.P RTE.	SECTION	COUNTY	TOTAL SHEETS	SHEET NO.
	713	120B-3	SCHUYLER	75	58
			CONTRACT NO. 72A03		
FED. ROAD DIST. NO.		ILLINOIS	FED. AID PROJECT		