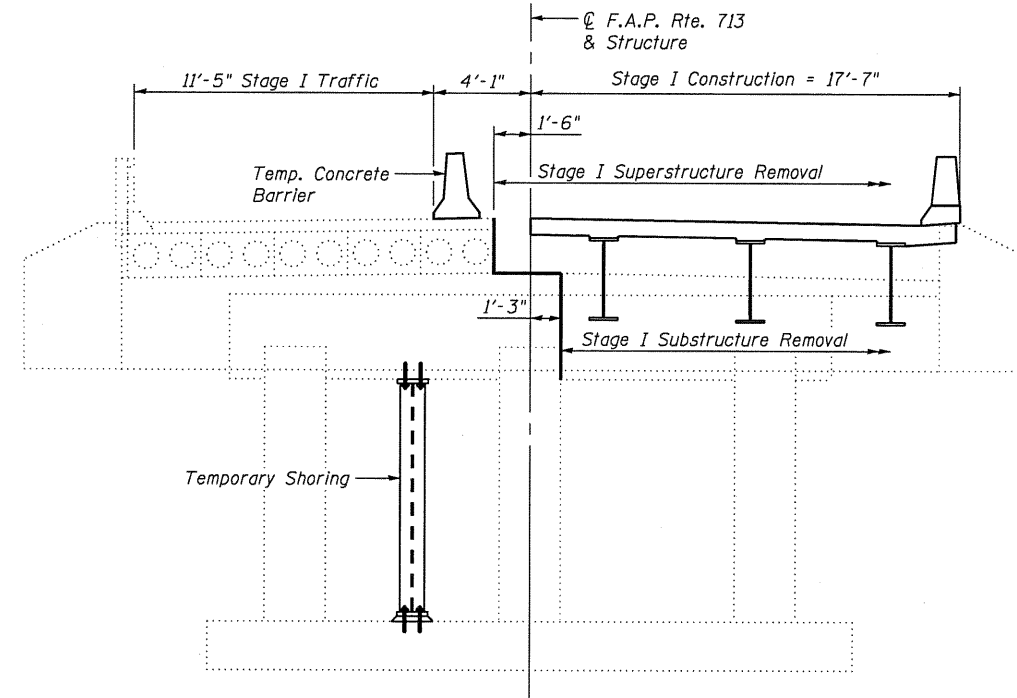
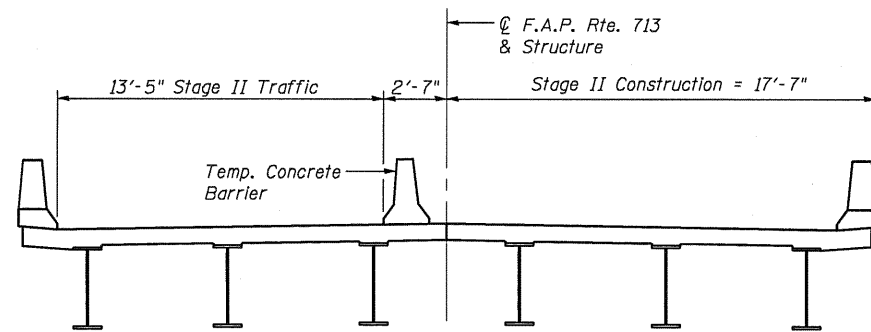


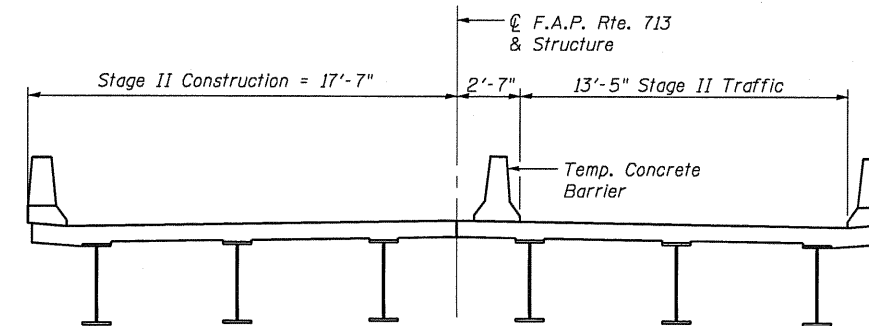
EAST ABUTMENT - Stage I
(Looking East)



WEST ABUTMENT - Stage I
(Looking West)



EAST ABUTMENT - Stage II
(Looking East)



WEST ABUTMENT - Stage II
(Looking West)

Notes:
 Temporary Shoring shall be in place before superstructure removal.
 Removal of existing railing and overlay is included with Removal of Existing Structures.
 See sheet 5 of 45 for details of Temporary Concrete Barrier.
 For quantity of Temporary Concrete Barrier see Roadway Plans.

BILL OF MATERIAL

ITEM	UNIT	QUANTITY
Removal of Existing Structures	Each	1
Temporary Shoring	Each	8

For other locations of Temporary Shoring and additional details, see sheet 4 of 45.

(Sheet 1 of 2)

STAGE CONSTRUCTION DETAILS
S.N. 085-0514

DESIGNED	RJP
CHECKED	ADL
DRAWN	RJP
CHECKED	ADL

SHEET NO. 3	F.A.P. RTE.	SECTION	COUNTY	TOTAL SHEETS	SHEET NO.
	713	120B-3	SCHUYLER	75	23
45 SHEETS	CONTRACT NO. 72A03				
FED. ROAD DIST. NO.		ILLINOIS	FED. AID PROJECT		