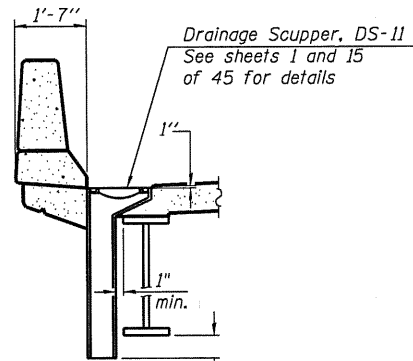
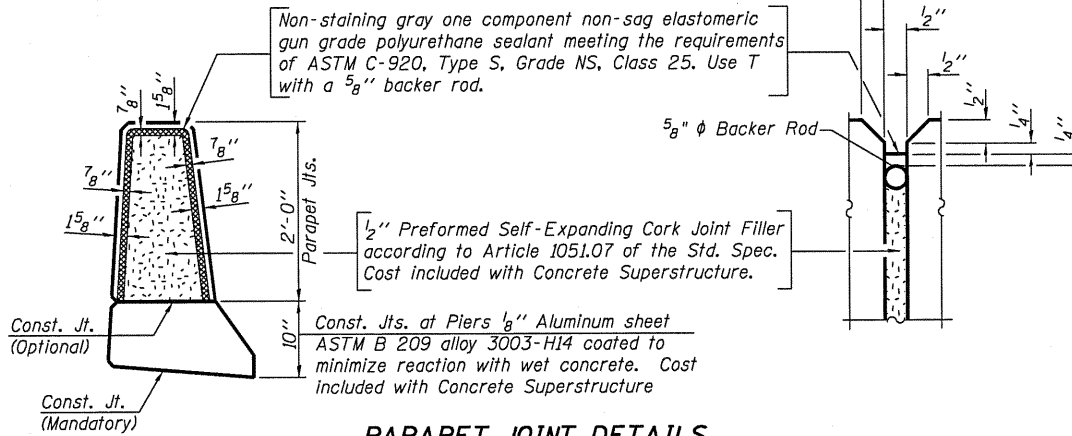


**PLAN**

Note:  
Cut longitudinal reinforcement to clear drainage scuppers.

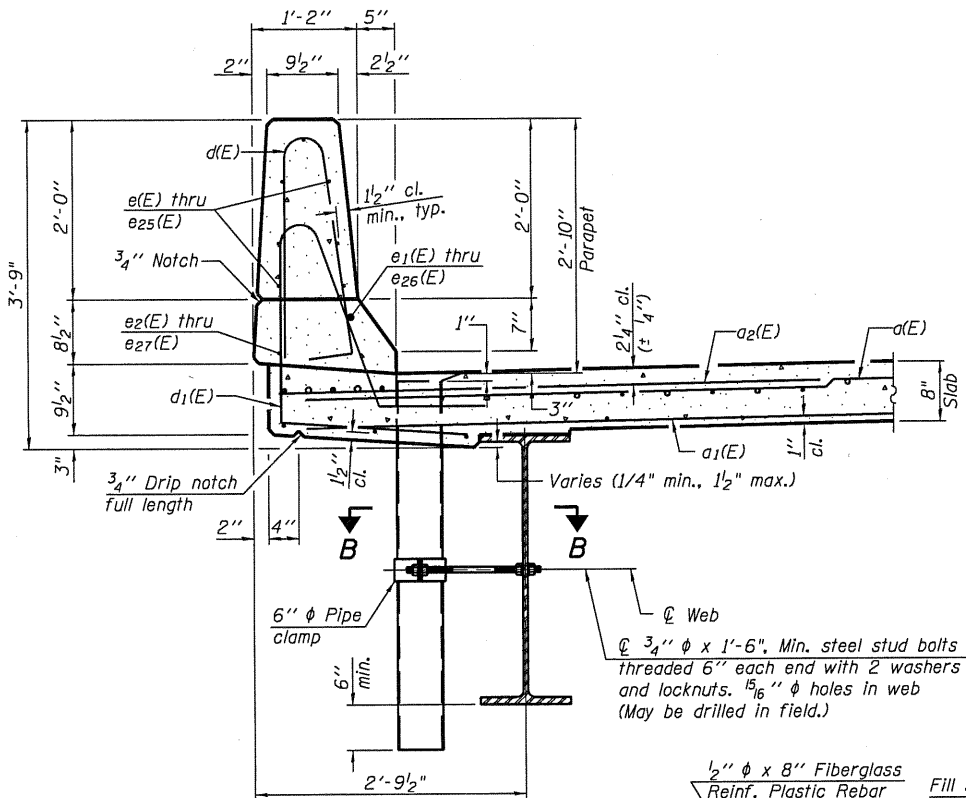


**SECTION A-A**

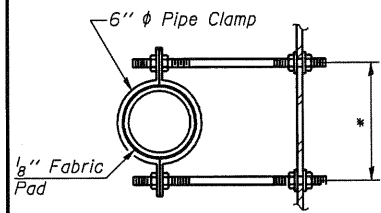


**PARAPET JOINT DETAILS**

Notes:  
Drains shall be located clear of all diaphragms.  
Floor Drains need not be painted  
Fiberglass pipe shall conform to ASTM D 2996, with short-time rupture strength hoop tensile stress of 30,000 p.s.i. minimum.  
Galvanize clamping device according to AASHTO M232. Cost of clamping device and galvanizing included with Floor Drains.

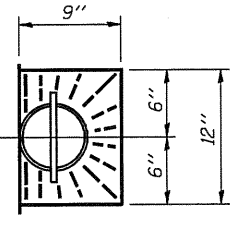


**SECTION THRU PARAPET**

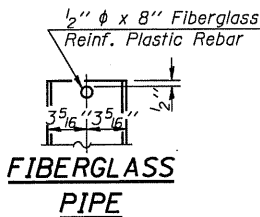


**SECTION B-B**

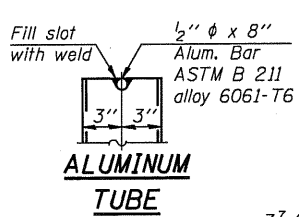
\* Dimension as required by Pipe Clamp



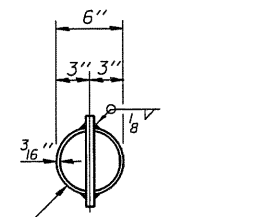
**TOP PLAN**



**FIBERGLASS PIPE**

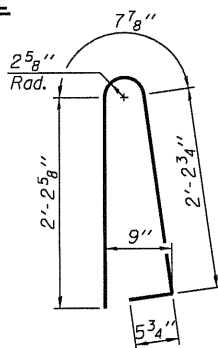


**ALUMINUM TUBE**

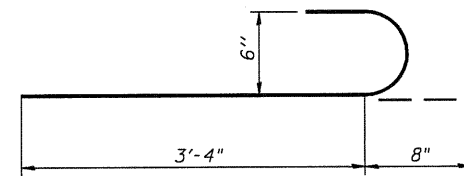


**TOP PLAN**

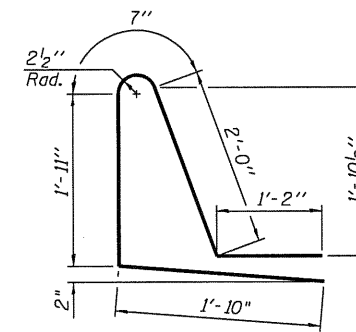
(Showing Aluminum Tube)



**BAR d1(E)**



**BAR x(E)**



**BAR d1(E)**

**SUPERSTRUCTURE BILL OF MATERIAL**

Bar	No.	Size	Length	Shape
a1(E)	1,796	#5	17'-0"	—
a2(E)	1,258	#5	16'-8"	—
a3(E)	1,796	#6	6'-6"	—
a4(E)	8	#6	17'-0"	—
a5(E)	80	#5	1'-6"	—
b(E)	570	#5	38'-2"	—
b1(E)	465	#5	35'-11"	—
b2(E)	102	#6	21'-8"	—
b3(E)	34	#6	44'-6"	—
b4(E)	68	#6	42'-9"	—
b5(E)	102	#6	19'-8"	—
d(E)	1,150	#5	5'-7"	—
d1(E)	1,150	#5	7'-6"	—
e(E)	56	#4	18'-4"	—
e1(E)	4	#8	39'-9"	—
e2(E)	4	#4	38'-2"	—
e3(E)	32	#4	14'-4"	—
e4(E)	4	#8	14'-4"	—
e5(E)	56	#4	17'-3"	—
e6(E)	4	#8	37'-7"	—
e7(E)	4	#4	36'-0"	—
e8(E)	32	#4	11'-0"	—
e9(E)	4	#8	11'-0"	—
e10(E)	56	#4	15'-6"	—
e11(E)	4	#8	34'-0"	—
e12(E)	4	#4	32'-5"	—
e13(E)	32	#4	10'-6"	—
e14(E)	4	#8	10'-6"	—
e15(E)	56	#4	15'-8"	—
e16(E)	4	#8	34'-5"	—
e17(E)	4	#4	32'-10"	—
e18(E)	32	#4	10'-1"	—
e19(E)	4	#8	10'-1"	—
e20(E)	56	#4	15'-3"	—
e21(E)	4	#8	33'-7"	—
e22(E)	4	#4	32'-0"	—
e23(E)	32	#4	12'-3"	—
e24(E)	4	#8	12'-3"	—
e25(E)	56	#4	18'-1"	—
e26(E)	4	#8	39'-3"	—
e27(E)	4	#4	37'-8"	—
x(E)	64	#6	4'-0"	—
Reinforcement Bars, Epoxy Coated		Pound	147,890	
Concrete Superstructure		Cu. Yds.	599.4	
Floor Drains		Each	26	
Bar Splicers		Each	1,527	

Bars indicated thus 1 x 2-#8 etc. Indicates 1 line of bars with 2 lengths per line.

**SUPERSTRUCTURE DETAILS S.N. 085-0514**

SHEET NO.13	F.A.P RTE.	SECTION	COUNTY	TOTAL SHEETS	SHEET NO.
45 SHEETS	713	120B-3	SCHUYLER	75	33
FED. ROAD DIST. NO.			ILLINOIS FED. AID PROJECT		
			CONTRACT NO. 72A03		