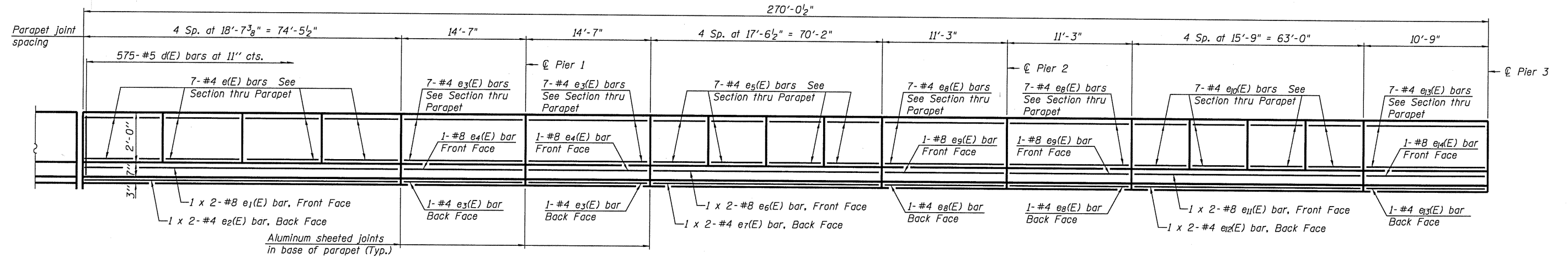
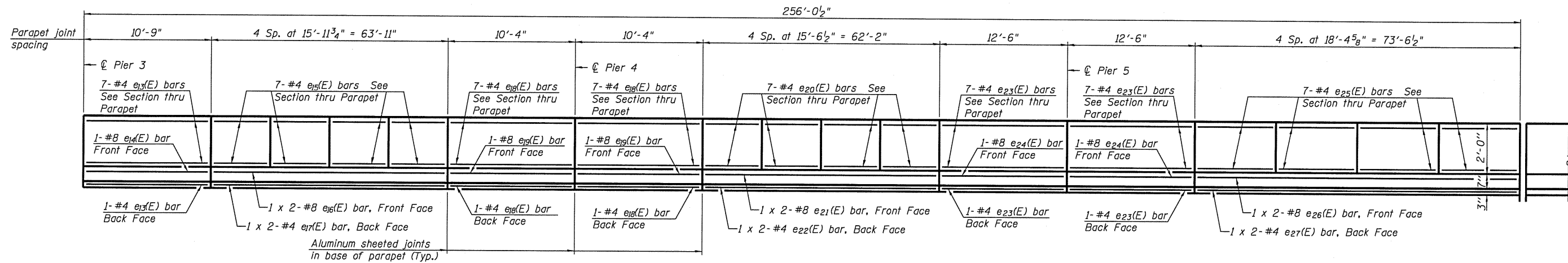


Sep-07-2010 10:35:20AM 0:35:20 AM



INSIDE ELEVATION OF PARAPET
(West Parapet shown - East Parapet opposite hand)



INSIDE ELEVATION OF PARAPET
(West Parapet shown - East Parapet opposite hand)

MINIMUM BAR LAP
(Parapet)
#4 bar = 2'-0"
#8 bar = 5'-2"

| |
|--------------|
| DESIGNED RJP |
| CHECKED ADL |
| DRAWN RJP |
| CHECKED ADL |

SUPERSTRUCTURE DETAILS
S.N. 085-0514

| | | | | | |
|--------------------------|---------------|---------|---------------------------|-----------------|--------------|
| SHEET NO.14 45 SHEETS | F.A.P RTE. | SECTION | COUNTY | TOTAL SHEETS | SHEET NO. |
| | 713 | 120B-3 | SCHUYLER | 75 | 34 |
| FED. ROAD DIST. NO. | | | ILLINOIS FED. AID PROJECT | | |
| CONTRACT NO. 72A03 | | | | | |

Kilgner & Associates P.C.