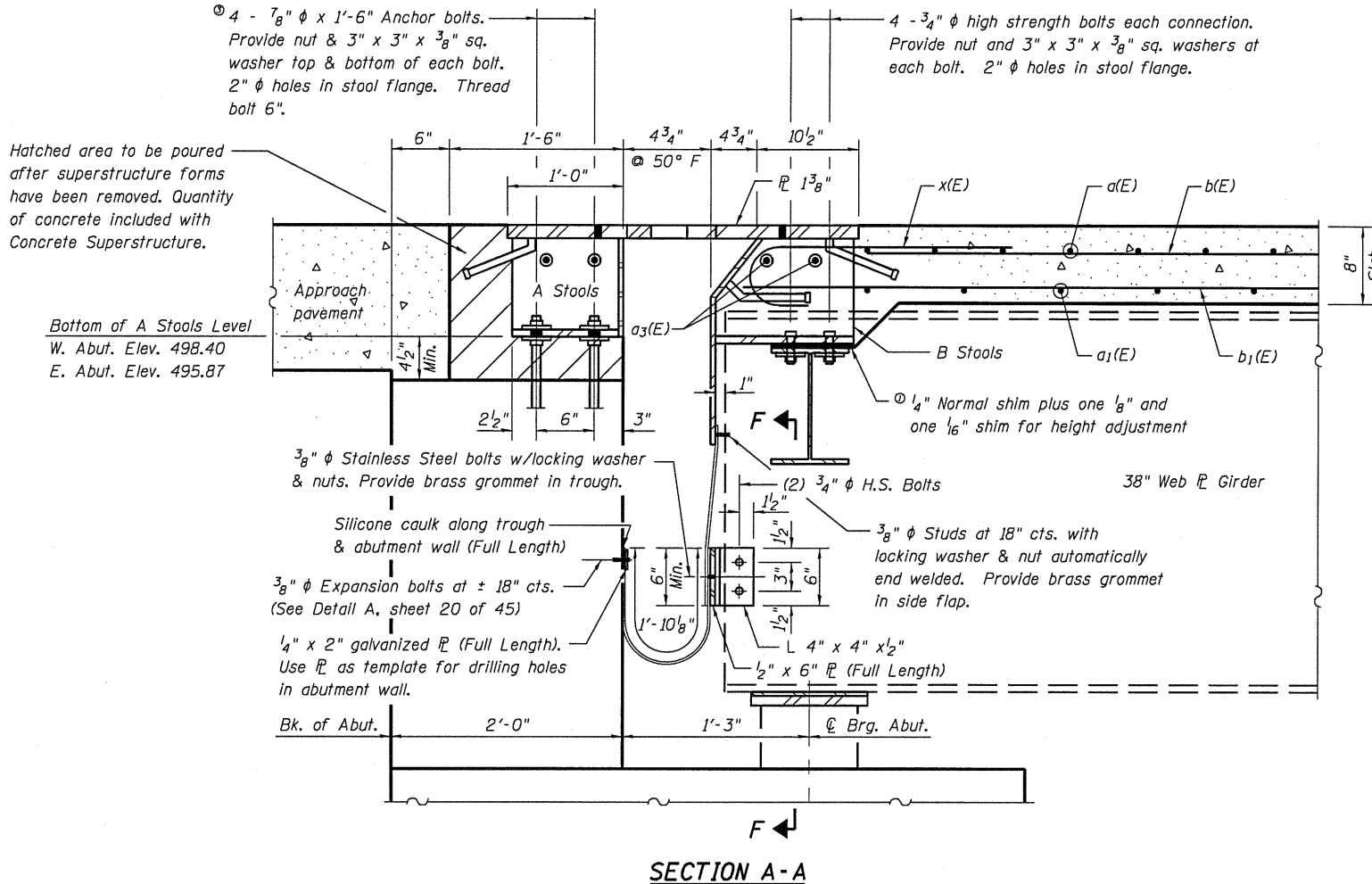


Sep-07-2010 10:35:25AM:35:25 AM

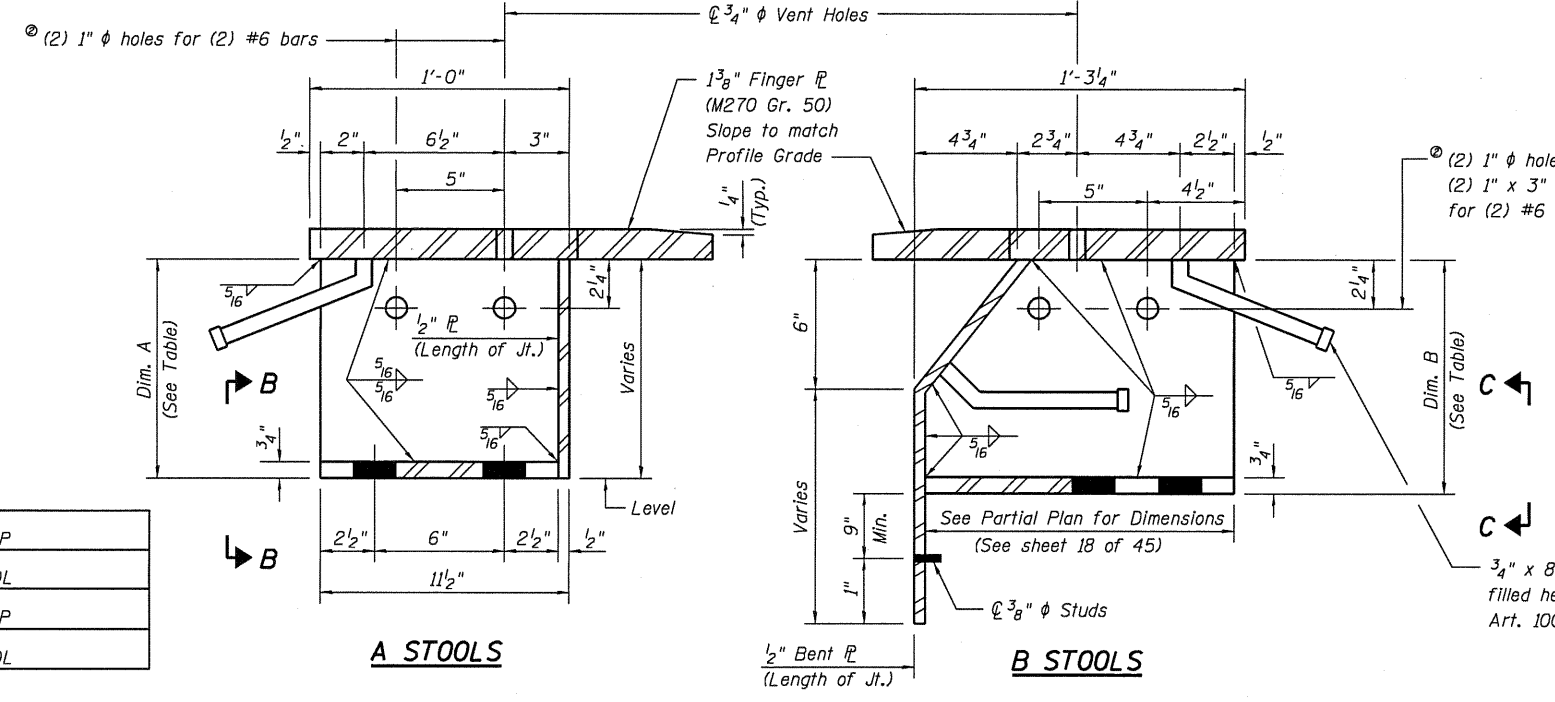
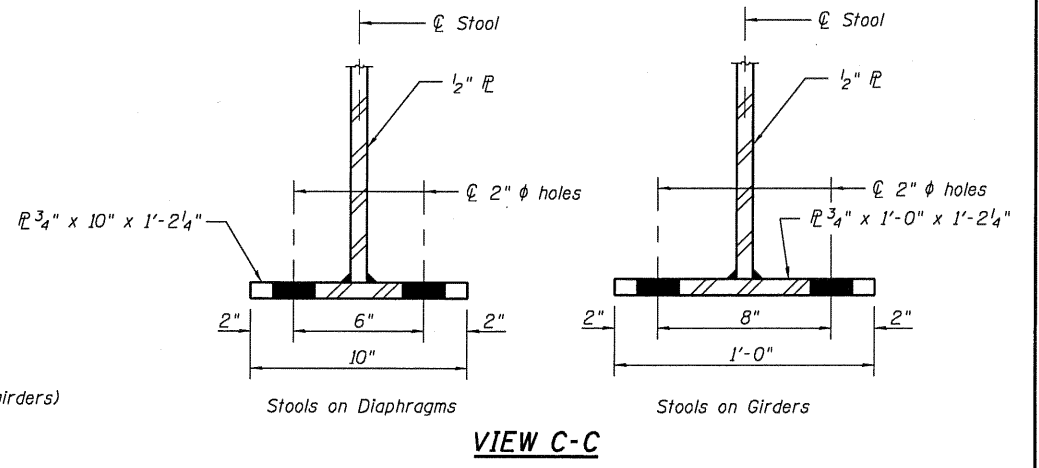
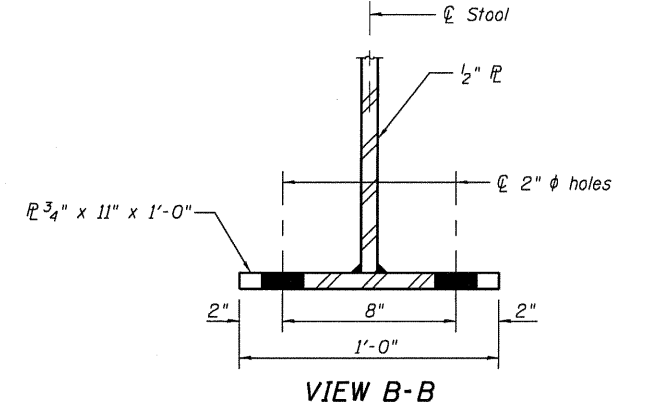
TABLE FOR DIMENSION A & B

Stool No.	Dimension A	Stool No.	Dimension B
A1	10 ³ / ₈ "	B1	7 ¹ / ₂ "
A2	10 ⁷ / ₈ "	B2	11 ³ / ₄ "
A3	11 ³ / ₈ "	B3	12 ¹ / ₈ "
A4	11 ⁷ / ₈ "	B4	7 ¹ / ₂ "
A5	12"	B5	12 ⁷ / ₈ "
A6	12 ³ / ₈ "	B6	13 ¹ / ₄ "
A7	12 ⁷ / ₈ "	B7	7 ¹ / ₂ "
A8	13 ¹ / ₄ "	B8	13 ³ / ₈ "
A9	13 ³ / ₄ "	B9	13 ¹ / ₂ "
A10	12 ⁷ / ₈ "	B10	7 ¹ / ₂ "
A11	12 ³ / ₈ "	B11	13 ¹ / ₄ "
A12	12"	B12	12 ⁷ / ₈ "
A13	11 ³ / ₈ "	B13	7 ¹ / ₂ "
A14	11 ⁷ / ₈ "	B14	12 ¹ / ₈ "
A15	10 ⁷ / ₈ "	B15	11 ³ / ₄ "
A16	10 ³ / ₈ "	B16	7 ¹ / ₂ "



- Ⓞ Provide one 1/4" normal shim, one 1/8" shim, and one 1/16" shim for height adjustment. Tapered shims shall be added under the stools as required by the Engineer to make a smooth finger joint. Cost shall be included with Furnishing and Erecting Structural Steel.
- Ⓞ #6 bars shall be placed continuously thru the stools by the steel fabricator. Mechanical Splice in field at the stage construction line. Cost shall be included with Furnishing and Erecting Structural Steel.
- Ⓞ The anchor bolts, furnished and installed shall not be paid for separately but shall be included in the unit bid price for Furnishing and Erecting Structural Steel.

Notes:
 For Stool locations, see sheet 18 of 45.
 For View F-F, see sheet 20 of 45.
 Reinforcement Bars are billed on sheet 13 of 45.
 Structural Steel for the finger plate joint assembly shall be AASHTO M270 Gr. 50 steel.
 The cost of the stools, studs, plates, and angles shall be included in the unit bid price for Furnishing and Erecting Structural Steel.
 Finger Plate expansion joints shall be assembled in their final relative position with the ends in place for shop inspection and acceptance.



DESIGNED	RJP
CHECKED	ADL
DRAWN	RJP
CHECKED	ADL

SHEET NO. 19 45 SHEETS	F.A.P RTE.	SECTION	COUNTY	TOTAL SHEETS	SHEET NO.
	713	120B-3	SCHUYLER	75	39
FED. ROAD DIST. NO.			ILLINOIS FED. AID PROJECT		
			CONTRACT NO. 72A03		

Klingner & Associates P.C.