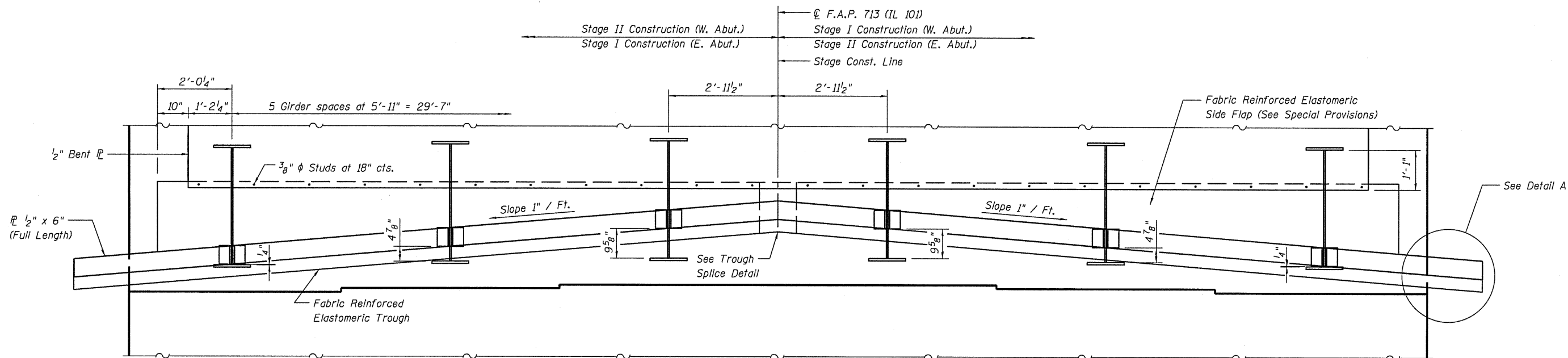
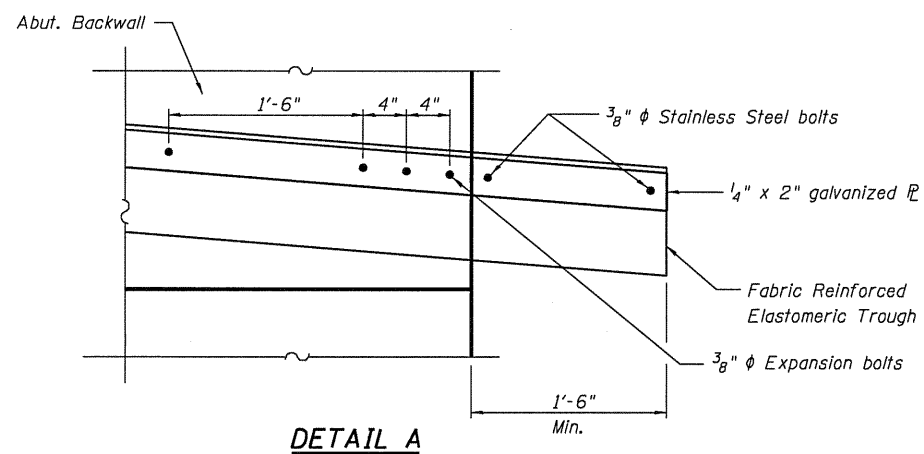


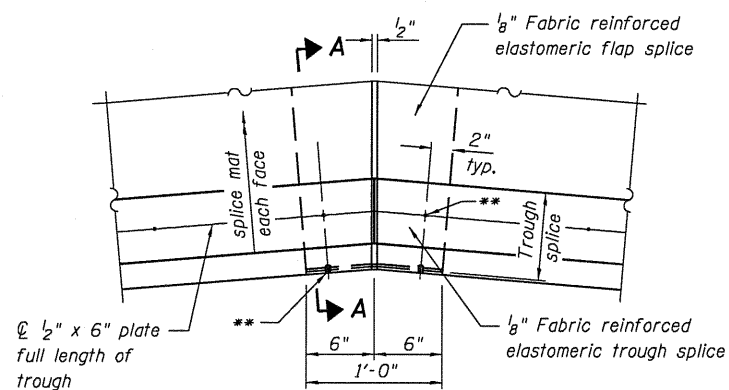
Sep-07-2010 10:35:26AM 35:26 AM



VIEW F-F

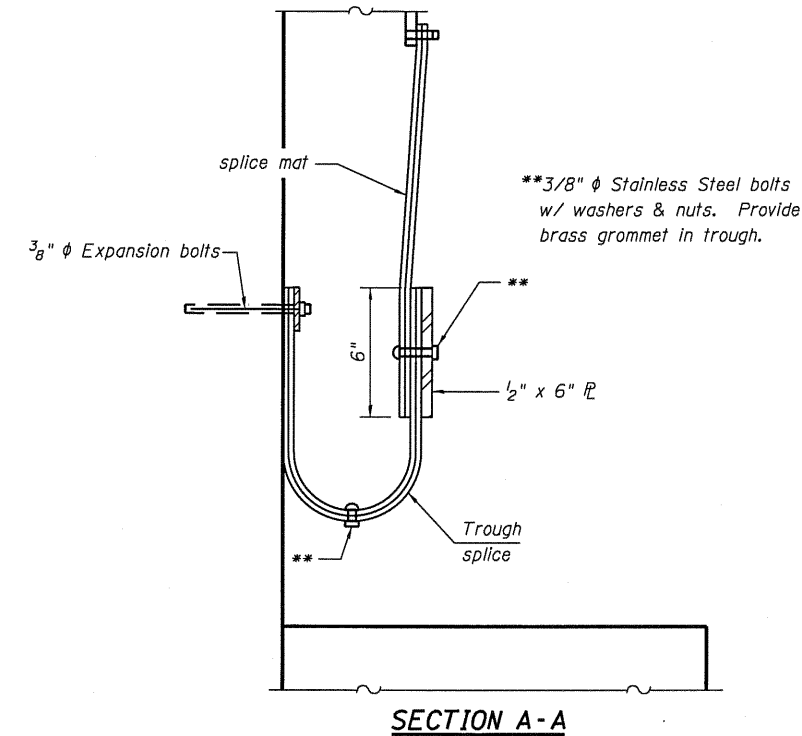


DETAIL A

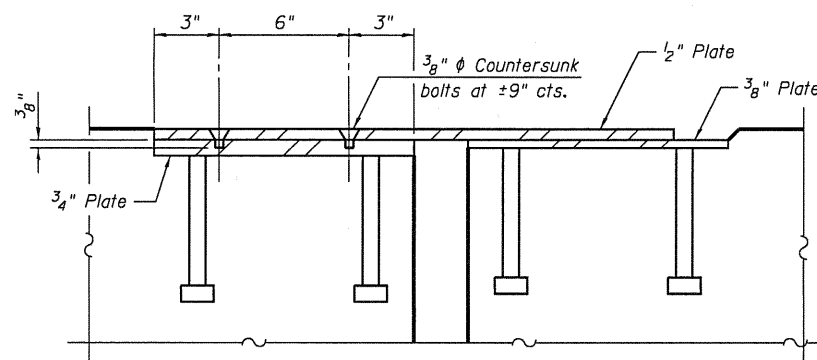


TROUGH SPLICE DETAIL

\*\*3/8" φ Stainless Steel bolts w/ washers & nuts. Provide brass grommet in trough.



SECTION A-A



SECTION G-G

DESIGNED	RJP
CHECKED	ADL
DRAWN	RJP
CHECKED	ADL

TROUGH DETAILS AT ABUTMENTS  
S.N. 085-0514

SHEET NO. 20 45 SHEETS	F.A.P. RTE.	SECTION	COUNTY	TOTAL SHEETS	SHEET NO.
	713	120B-3	SCHUYLER	75	40
FED. ROAD DIST. NO.			ILLINOIS FED. AID PROJECT		
			CONTRACT NO. 72A03		

Klingner & Associates P.C.