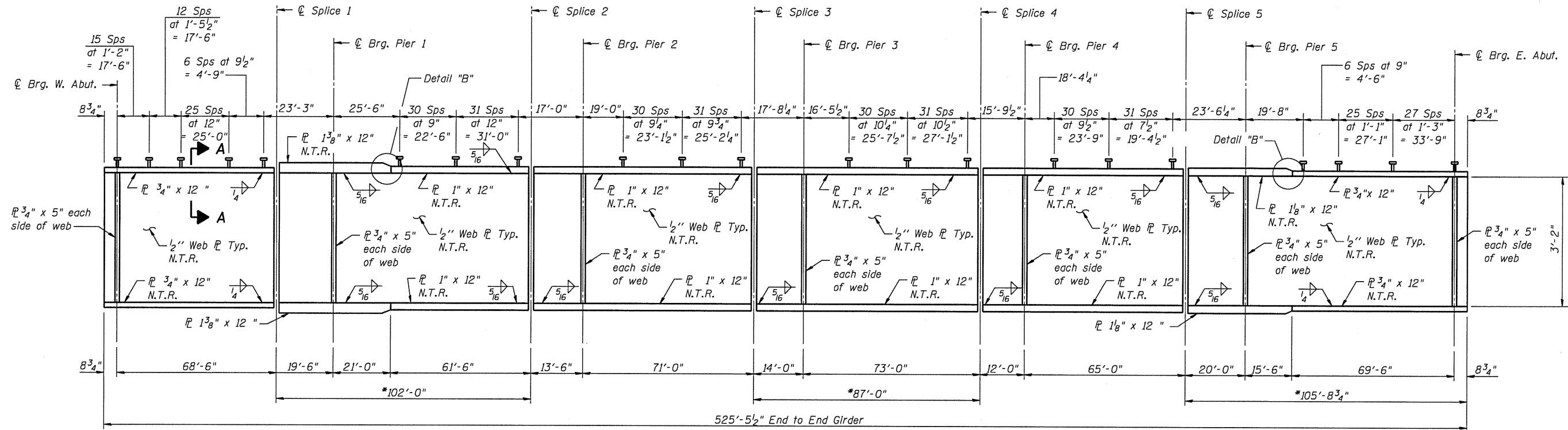


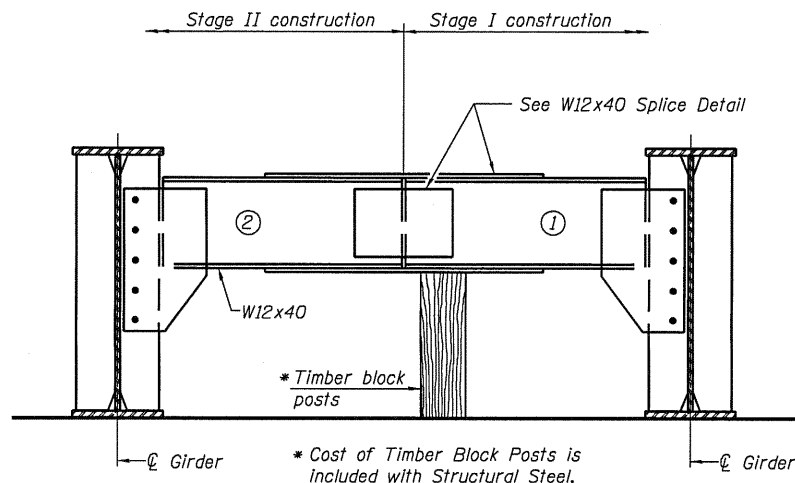
Sep-07-2010 10:35:31AM

\$FILES



GIRDER ELEVATION

"NTR" denotes plates to which notch toughness requirements are applicable.

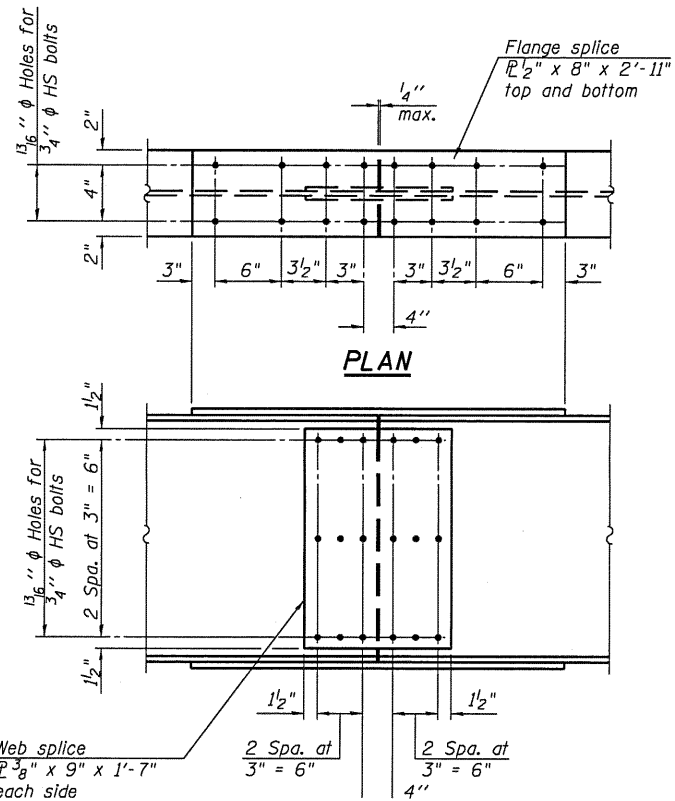


END DIAPHRAGM, D3
(2 Required)

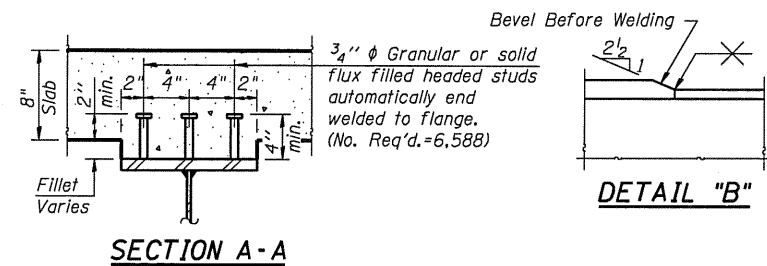
END DIAPHRAGM STAGE CONSTRUCTION SEQUENCE

- 1.) Order Diaphragm in two sections.
- 2.) Attach section ① and splice plates of Diaphragm to Beam
- 3.) Place Timber Block Posts between section ① of diaphragm and abutment bearing section.
- 4.) Attach section ② of diaphragm to both Beam and section ① of diaphragm during Stage II Construction with splice plates.
- 5.) Remove Timber Block Posts.

DESIGNED	RJP
CHECKED	ADL
DRAWN	RJP
CHECKED	ADL



W12x40 SPLICE DETAIL
(2 Required)



Notes:
Load carrying components designated "NTR" shall conform to the Supplemental Requirements for Notch Toughness, Zone 2.
*The Contractor shall submit plans showing bracing details for transporting, erection, and deck forming for the section to the Engineer for approval.

GIRDER DETAILS
S.N. 085-0514

SHEET NO.22	F.A.P. RTE.	SECTION	COUNTY	TOTAL SHEETS	SHEET NO.
	713	120B-3	SCHUYLER	75	42
45 SHEETS	CONTRACT NO. 72A03				
FED. ROAD DIST. NO.		ILLINOIS FED. AID PROJECT			

Klingner & Associates P.C.