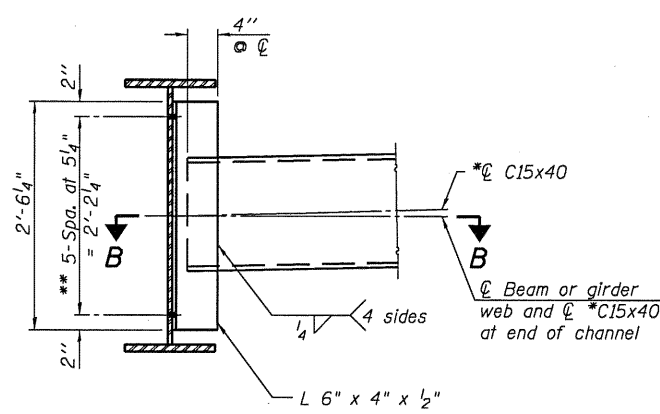


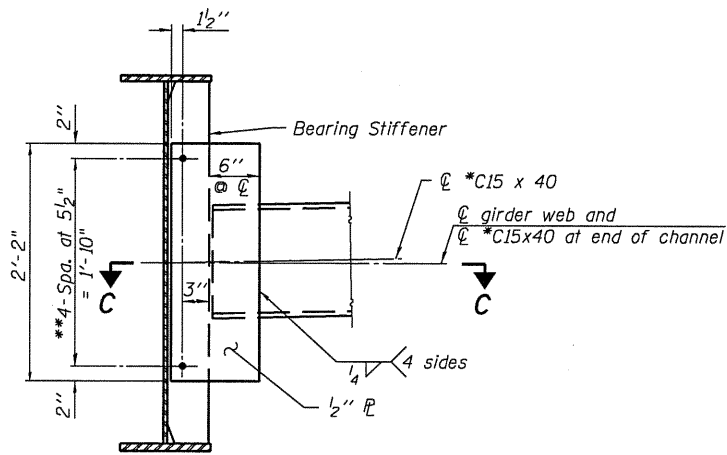
END DIAPHRAGM, D
(8 Required)

Note: Two hardened washers required for each set of oversized holes.



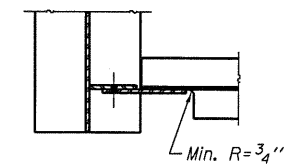
INTERIOR DIAPHRAGM, D1
(90 Required)

Note: Two hardened washers required for each set of oversized holes.

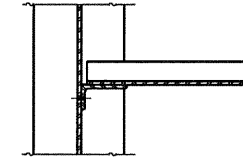


INTERIOR DIAPHRAGM, D2
(25 Required)

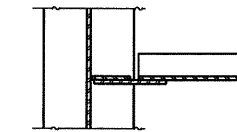
Note: Two hardened washers required for each set of oversized holes.



SECTION A-A



SECTION B-B

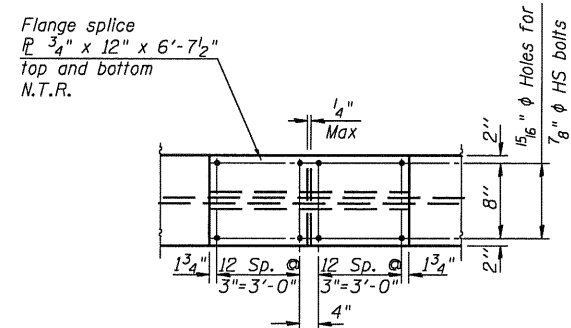


SECTION C-C

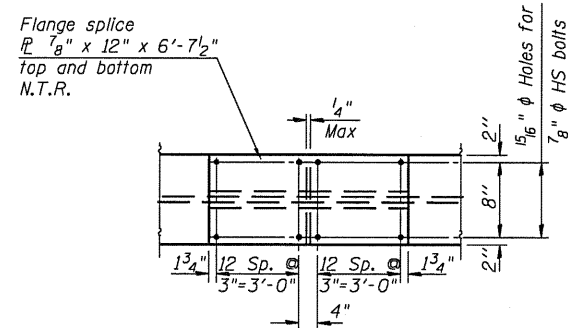
Note: Load carrying components designated "NTR" shall conform to the Supplemental Requirements for Notch Toughness, Zone 2.

* Alternate channels C15x50 are permitted to facilitate material acquisition. The alternate, if utilized, shall be provided at no additional cost to the Department. Calculated weight of structural steel is based on the lighter section.

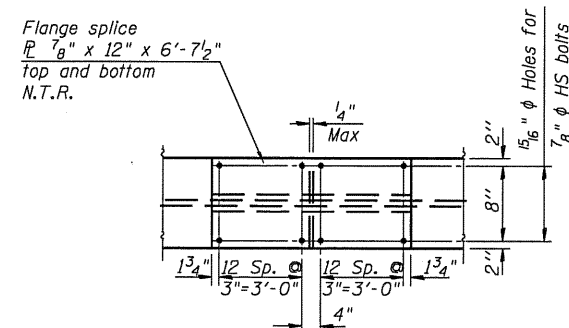
** 3/4" φ HS bolts, 15/16" φ holes



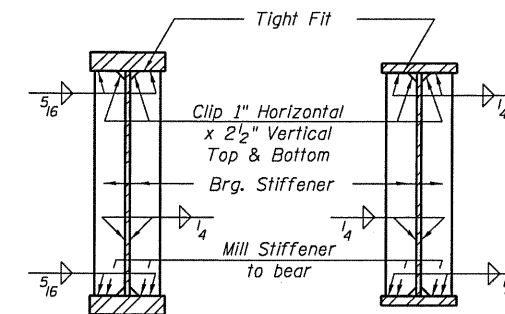
PLAN



PLAN

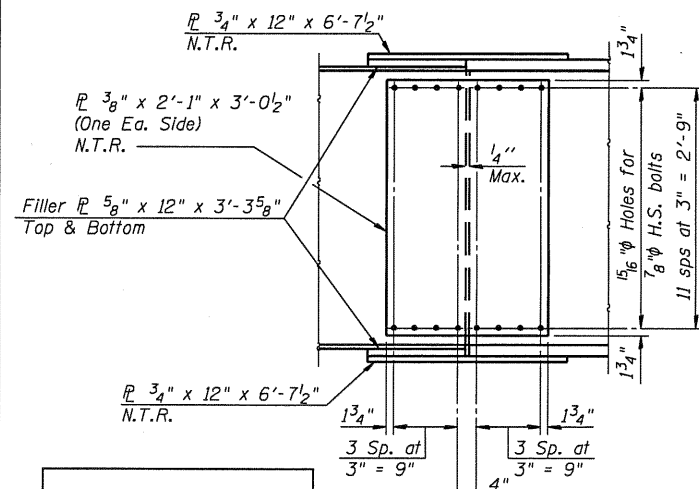


PLAN



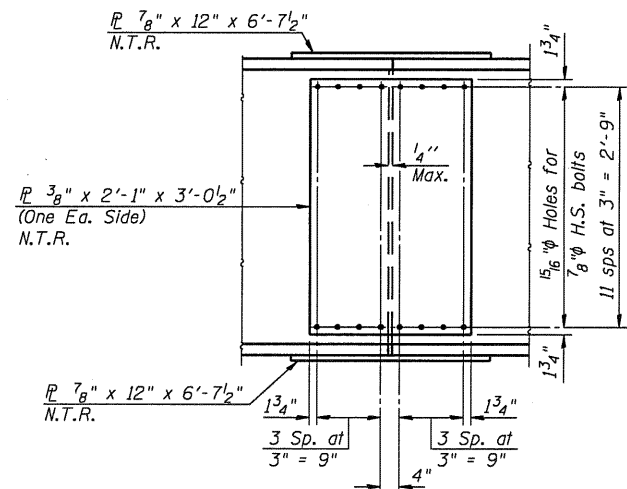
SECTION AT PIER

SECTION AT ABUTMENT



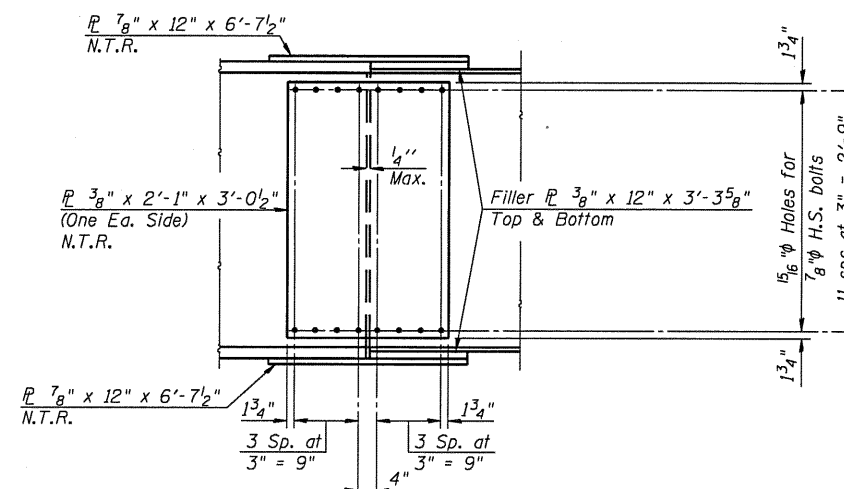
ELEVATION

SPLICE #1 DETAIL



ELEVATION

SPLICE #2, #3, & #4 DETAIL



ELEVATION

SPLICE #5 DETAIL

GIRDER DETAILS
S.N. 085-0514

DESIGNED	RJP
CHECKED	ADL
DRAWN	RJP
CHECKED	ADL

SHEET NO.23	F.A.P. RTE.	SECTION	COUNTY	TOTAL SHEETS	SHEET NO.
	713	120B-3	SCHUYLER	75	43
45 SHEETS	FED. ROAD DIST. NO.		ILLINOIS FED. AID PROJECT		CONTRACT NO. 72A03