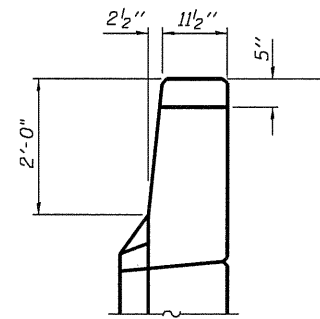
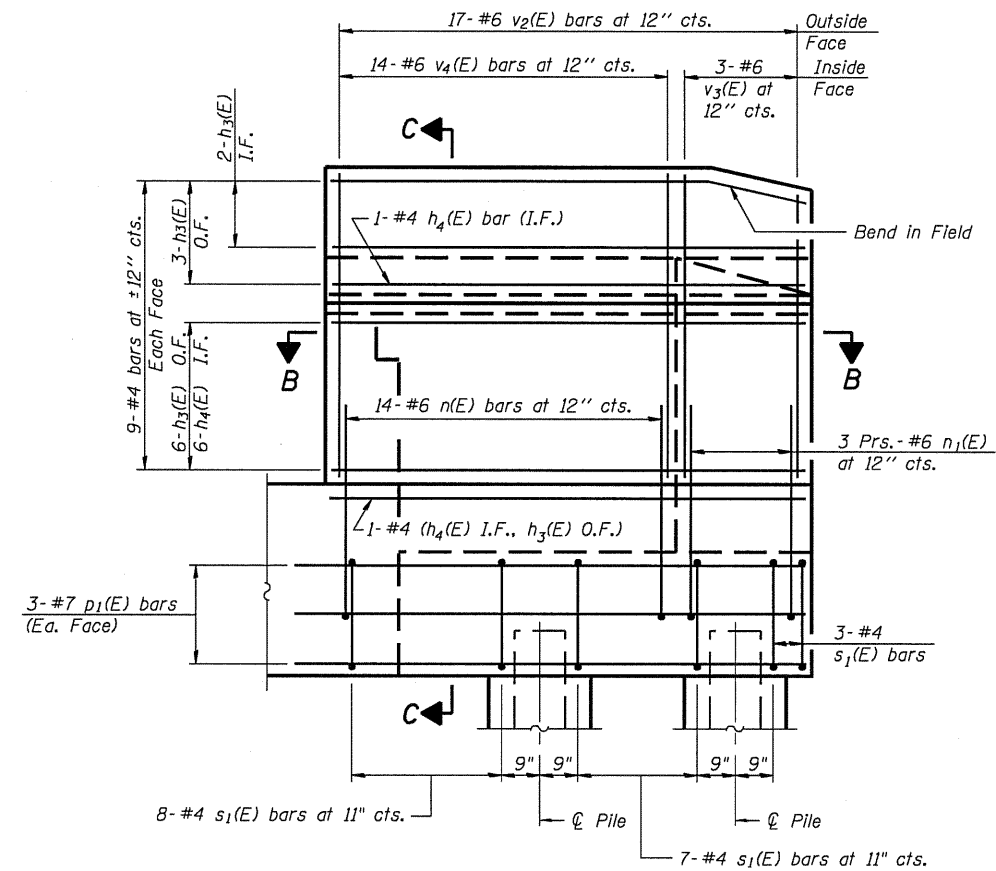


WING WALL ELEVATION
Showing Dimensions

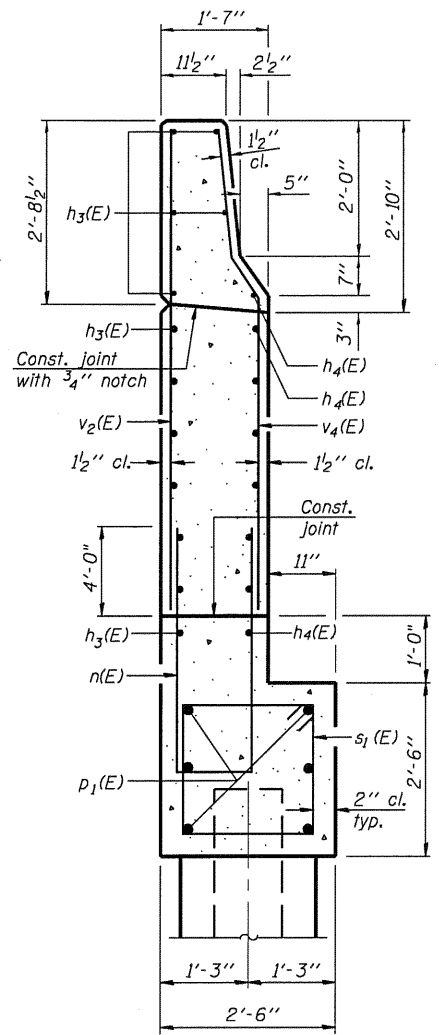
End Post shall be poured after bridge parapet is in place. Form top surface to match parapet grade.



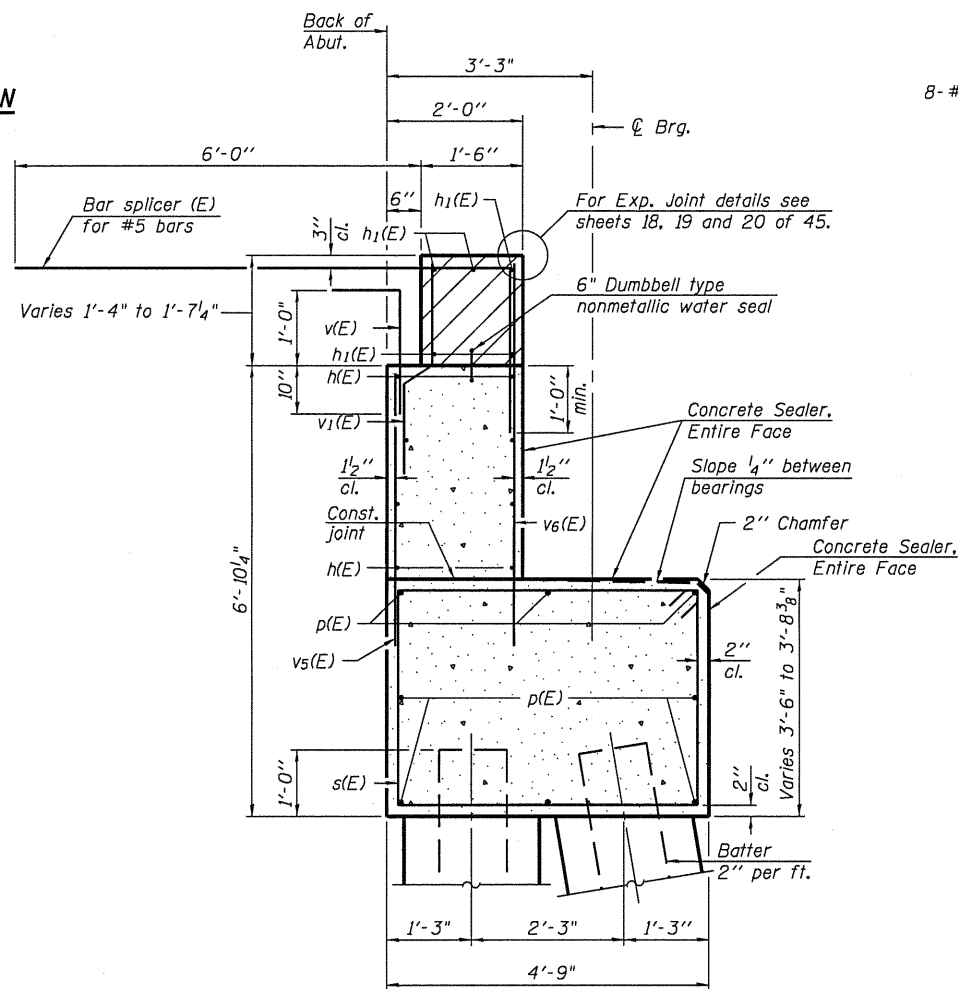
VIEW A-A



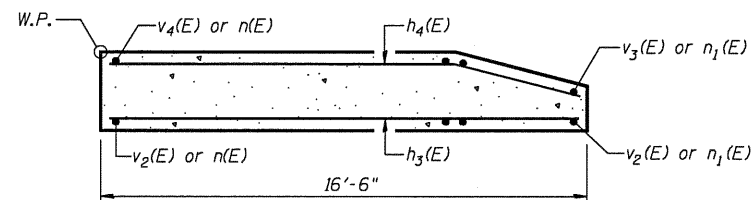
WING WALL ELEVATION
Showing Reinforcement



SECTION C-C



SEC. THRU ABUT.



SECTION B-B

Notes:
 Hatched area to be poured after superstructure false work has been removed. Quantity of concrete included with Concrete Superstructure.
 Space reinforcement in cap to miss anchor bolts.
 Pour steps monolithically with cap.
 Quantity of concrete in end post included with Concrete Superstructure on sheet 13 of 45.
 For Concrete Encasement details, see sheet 37 of 45.
 Apply Concrete Sealer to entire face of backwall, bridge seats, and front face of abutment cap.
 Place Bar Splicers parallel to approach slab reinforcement.

WEST ABUTMENT DETAILS
S.N. 085-0514

DESIGNED	RJP
CHECKED	ADL
DRAWN	RJP
CHECKED	ADL

A-1-D

11-1-09

SHEET NO.28	F.A.P. RTE.	SECTION	COUNTY	TOTAL SHEETS	SHEET NO.
	713	120B-3	SCHUYLER	75	48
45 SHEETS	FED. ROAD DIST. NO.		ILLINOIS FED. AID PROJECT	CONTRACT NO. 72A03	