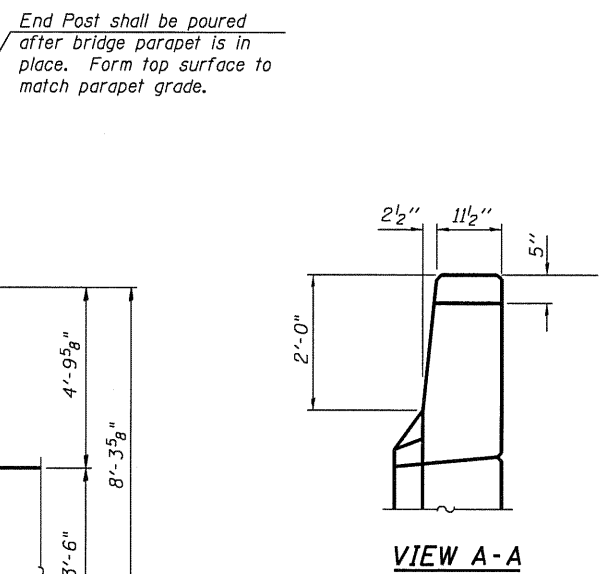
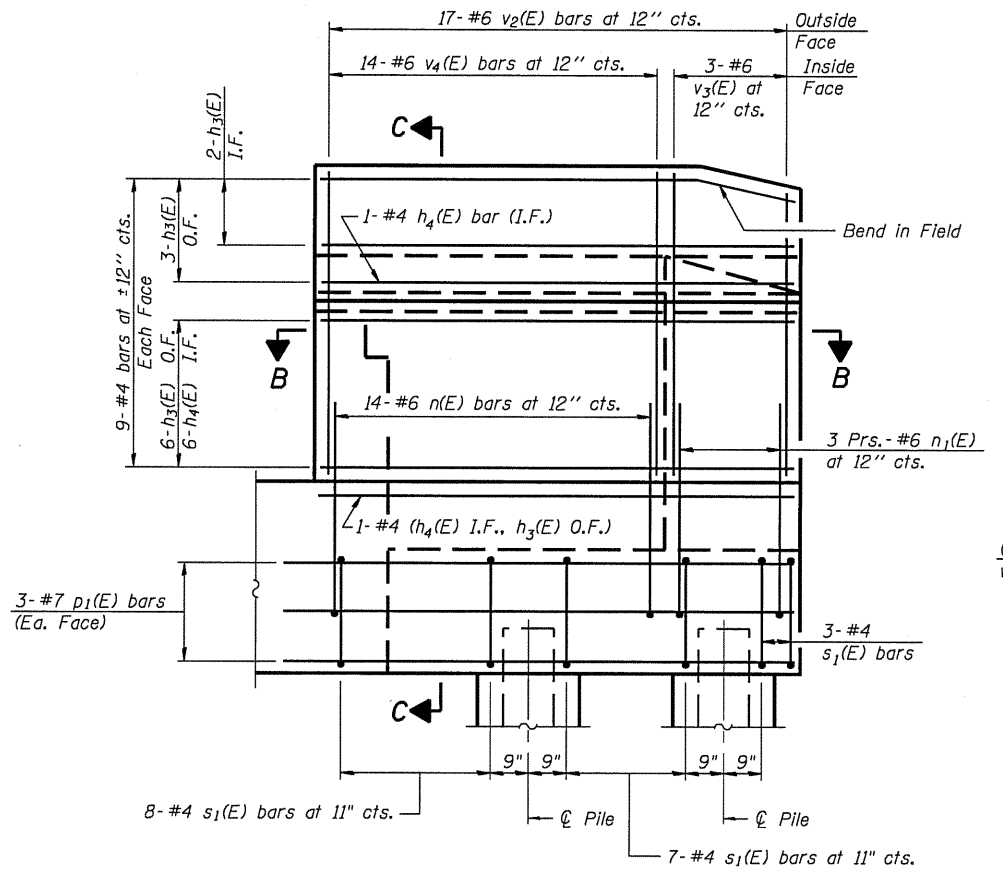


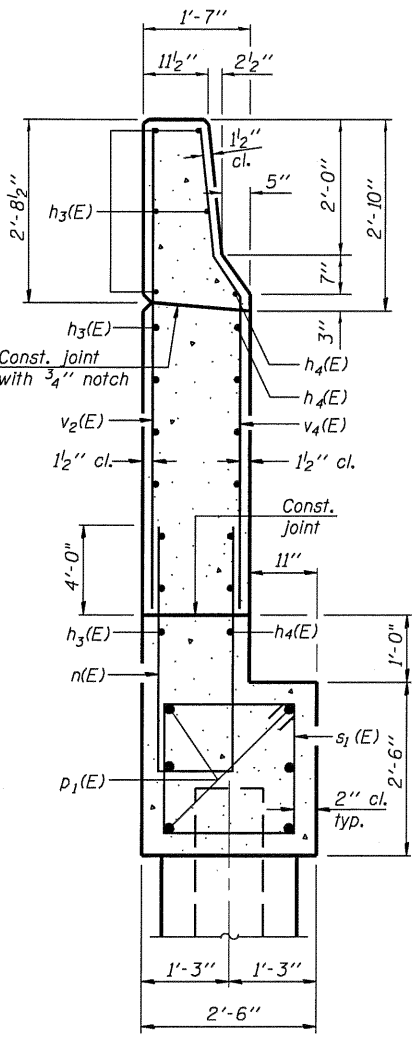
**WING WALL ELEVATION**  
Showing Dimensions



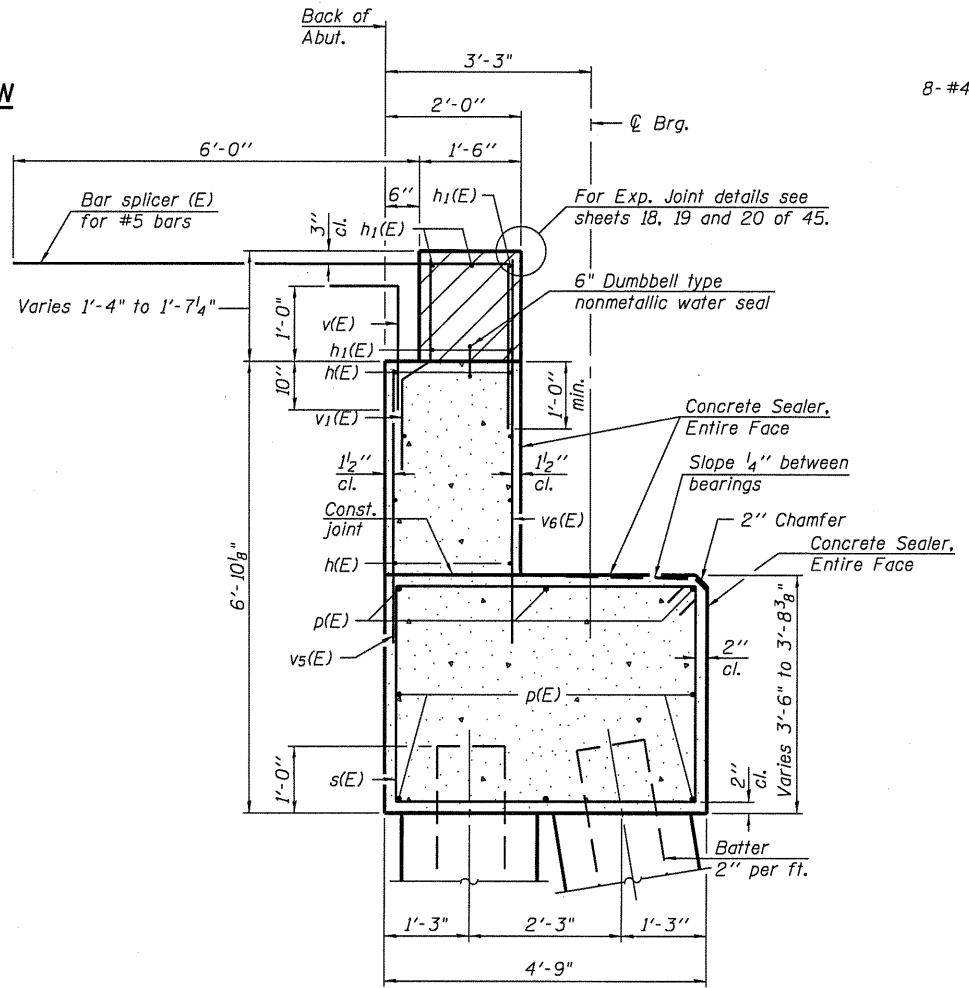
**VIEW A-A**



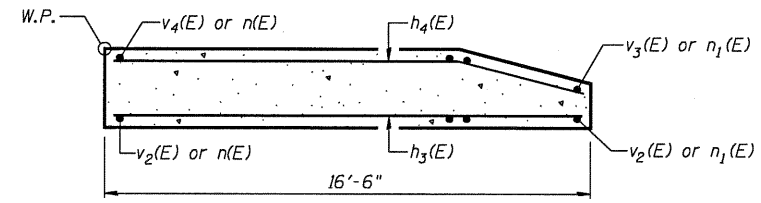
**WING WALL ELEVATION**  
Showing Reinforcement



**SECTION C-C**



**SEC. THRU ABUT.**



**SECTION B-B**

Notes:  
 Hatched area to be poured after superstructure false work has been removed. Quantity of concrete included with Concrete Superstructure.  
 Space reinforcement in cap to miss anchor bolts.  
 Pour steps monolithically with cap.  
 Quantity of concrete in end post included with Concrete Superstructure on sheet 13 of 45.  
 For Concrete Encasement details, see sheet 37 of 45.  
 Apply Concrete Sealer to entire face of backwall, bridge seats, and front face of abutment cap.  
 Place Bar Splicers parallel to approach slab reinforcement.

DESIGNED RJP
CHECKED ADL
DRAWN RJP
CHECKED ADL

A-I-D 11-1-09

**EAST ABUTMENT DETAILS**  
S.N. 085-0514

SHEET NO. 30 45 SHEETS	F.A.P. RTE.	SECTION	COUNTY	TOTAL SHEETS	SHEET NO.
	713	120B-3	SCHUYLER	75	50
FED. ROAD DIST. NO.			ILLINOIS FED. AID PROJECT		
			CONTRACT NO. 72A03		