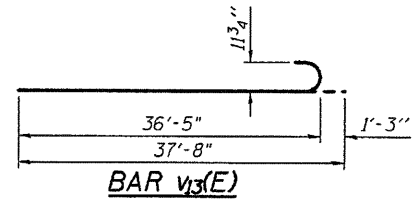
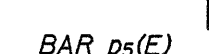
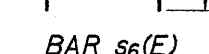
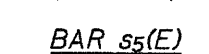
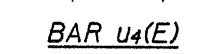
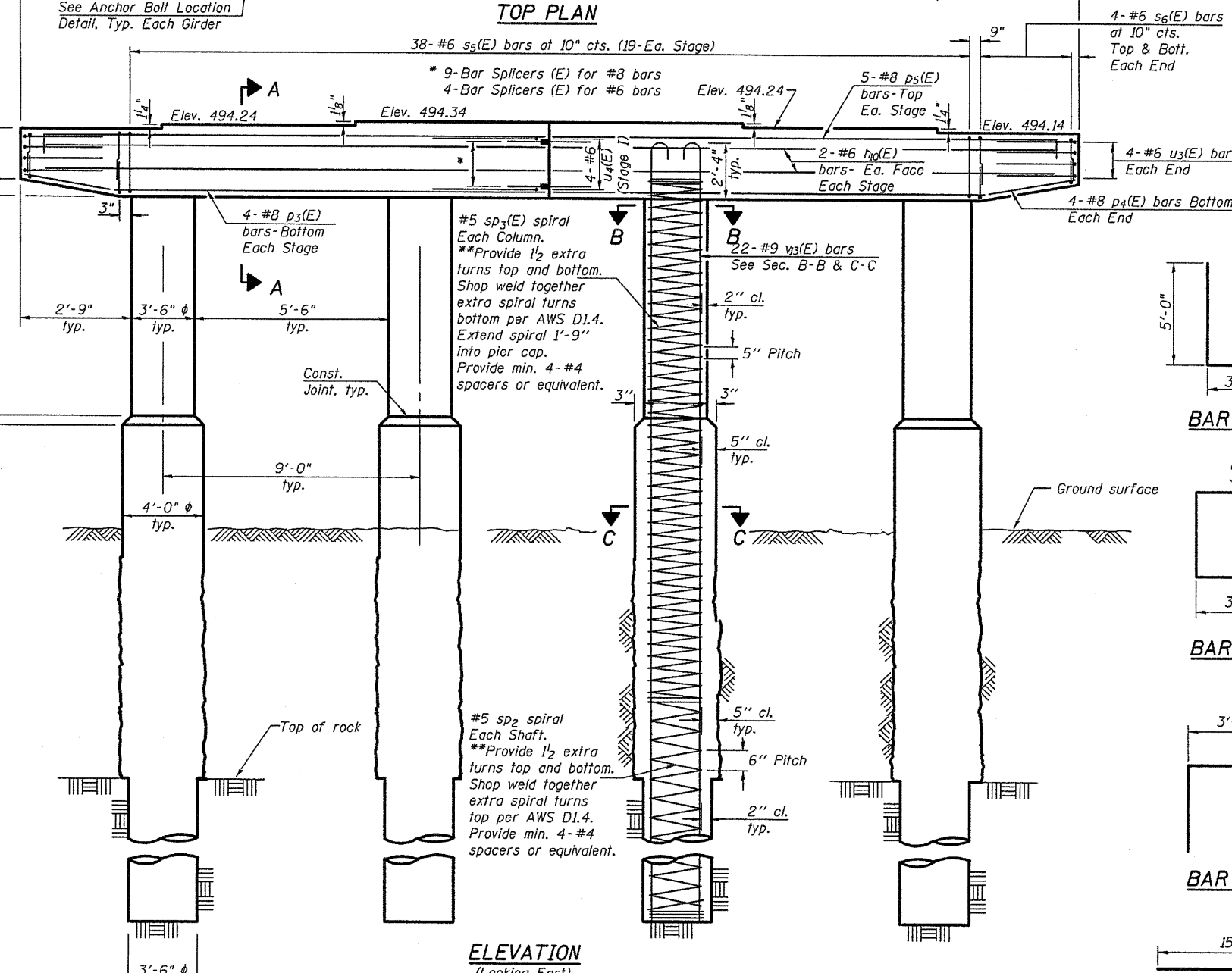
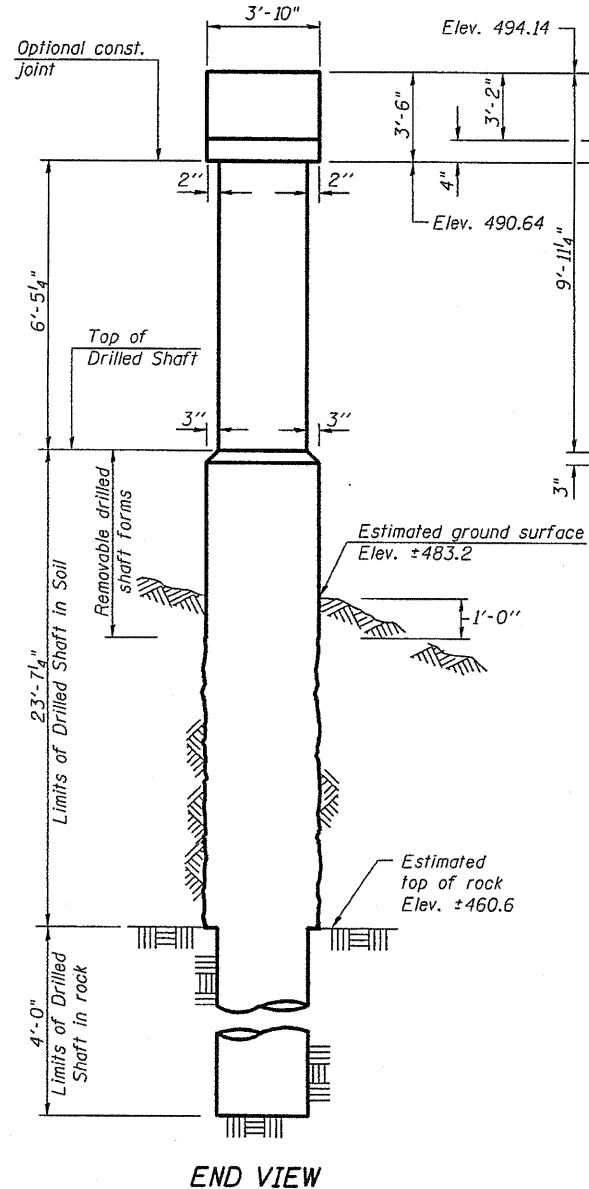
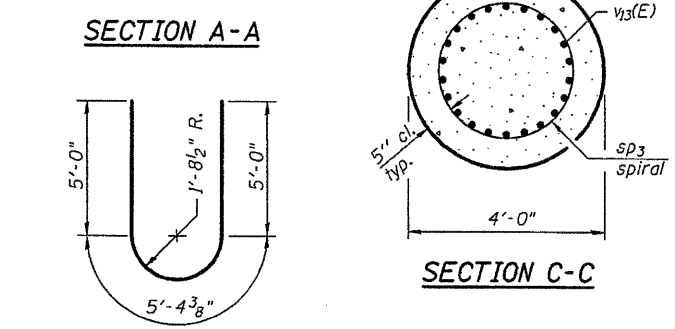
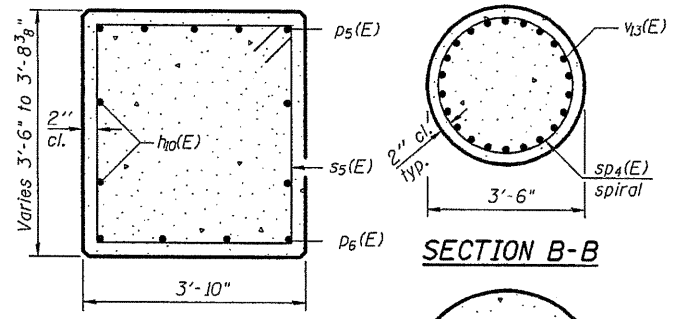
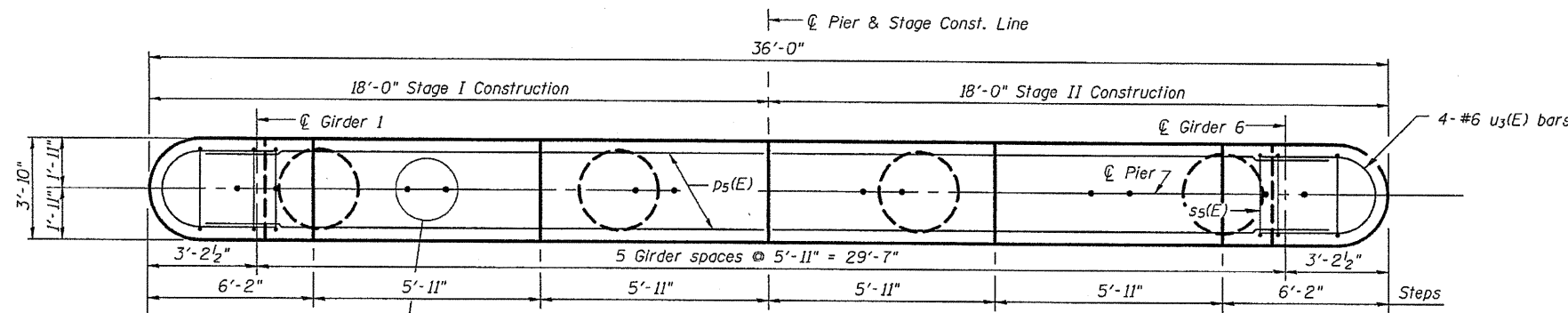
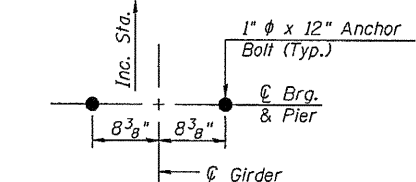


9/10/2010

P:\06f\1es\060245\021_0101_1.Lemoine\BRIDGE PLANS\PIERS.dgn



BILL OF MATERIAL

Bar No.	Size	Length	Shape
h0(E)	#8	15'-11"	—
p3(E)	#8	15'-6"	—
p4(E)	#8	2'-6"	—
p5(E)	#8	17'-3"	—
s5(E)	#6	14'-8"	□
s6(E)	#6	9'-2"	U
SD2	#5	14'-6"	AAA
SD3(E)	#5	19'-4"	AAA
u3(E)	#6	15'-5"	U
u4(E)	#6	13'-5"	U
v3(E)	#9	37'-8"	—
Concrete Structures	Cu. Yd.	27.0	
Reinforcement Bars, Epoxy Coated	Pound	16,190	
Reinforcement Bars	Pounds	1,590	
Drilled Shaft in Soil	Cu. Yd.	43.9	
Drilled Shaft in Rock	Cu. Yd.	5.7	
Bar Splicers	Each	13	

Cast steps monolithically with cap.
Space cap reinforcement to miss anchor bolts.
Minimum lap for spirals = 2'-2"
** Length is height of spiral.

DESIGNED RJP
CHECKED ADL
DRAWN RJP
CHECKED ADL

**Allowable substitution:
Provide 1/2 extra turns top and bottom with 135° standard hook into core at ends of spiral.

Note:
When splicing of spiral reinforcement is necessary, the spirals shall be provided with 1/2 extra turns at the ends to be spliced. These additional turns shall either be welded together according to AWS D1.4, or shall both terminate with a 135° standard hook.

**PIER 3
S.N. 085-0514**

SHEET NO.33 45 SHEETS	F.A.P. RTE. 713	SECTION 120B-3	COUNTY SCHUYLER	TOTAL SHEETS 75	SHEET NO. 53
	CONTRACT NO. 72A03				
FED. ROAD DIST. NO. ILLINOIS FED. AID PROJECT					

Klingner & Associates P.C.