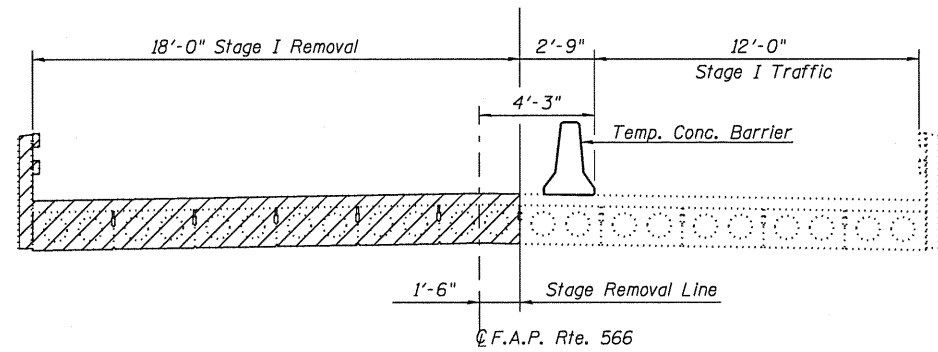
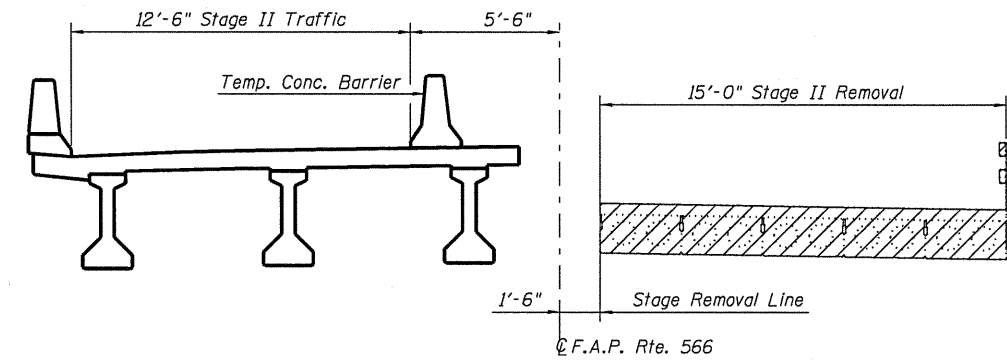


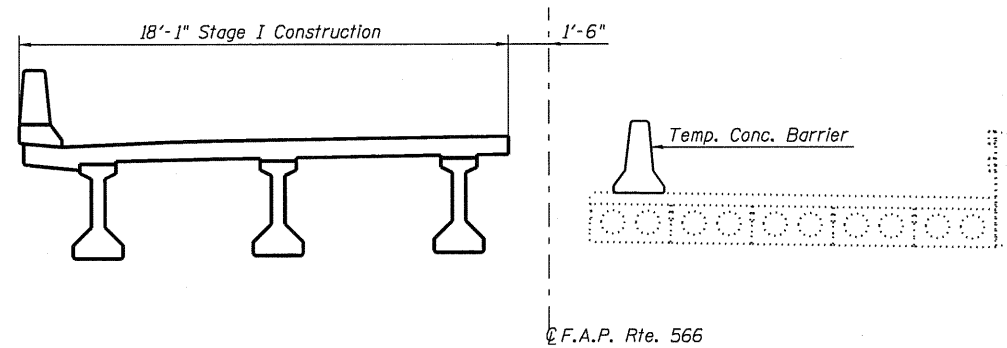
STATE OF ILLINOIS
DEPARTMENT OF TRANSPORTATION



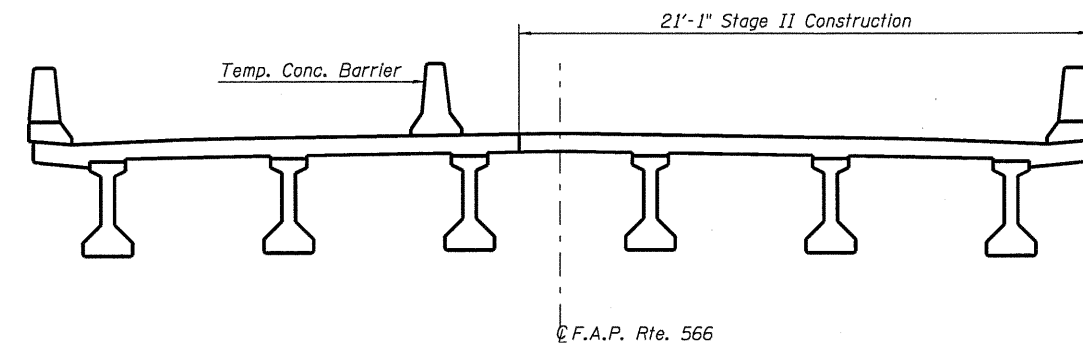
STAGE I REMOVAL



STAGE II REMOVAL



STAGE I CONSTRUCTION



STAGE II CONSTRUCTION

Note:

All cross sections are looking South.


See sheet 4 of 26 for Temporary Concrete Barrier Details.

Hatched area indicates removal of existing structures.

For quantity of Temporary Concrete Barrier, see roadway plans.

Removal of existing bridge railing and bituminous wearing surface is included with Removal of Existing Structures.

DESIGNED	C.M.W.
CHECKED	J.S.A.
DRAWN	T.J.W.
CHECKED	C.M.W.



**HOELSCHER
ENGINEERING**
Fairview Heights, IL
Springfield, IL
Champaign, IL

**STAGE CONSTRUCTION DETAILS
STRUCTURE NO. 086-0505**

SHEET NO. 3 of 26 SHEETS	F.A.P. RTE.	SECTION	COUNTY	TOTAL SHEETS	SHEET NO.
	566	1(B-2)	SCOTT	77	30
FED. ROAD DIST. NO.			ILLINOIS FED. AID PROJECT		
CONTRACT NO. 72B91					