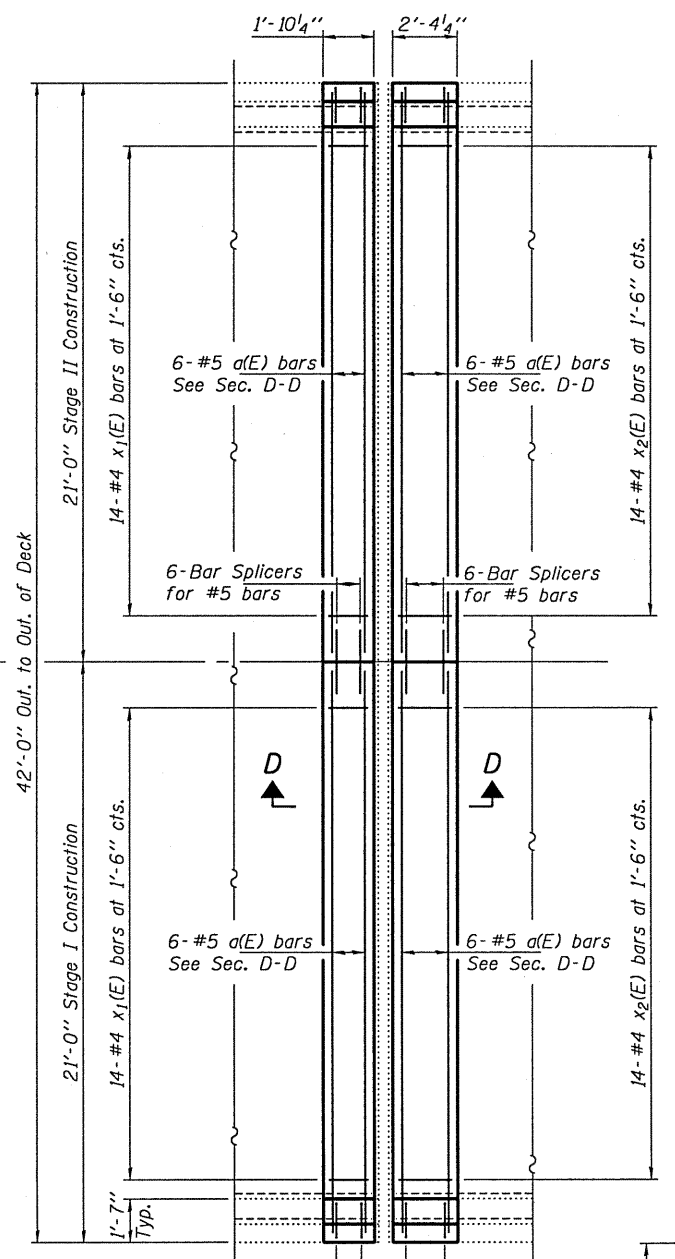
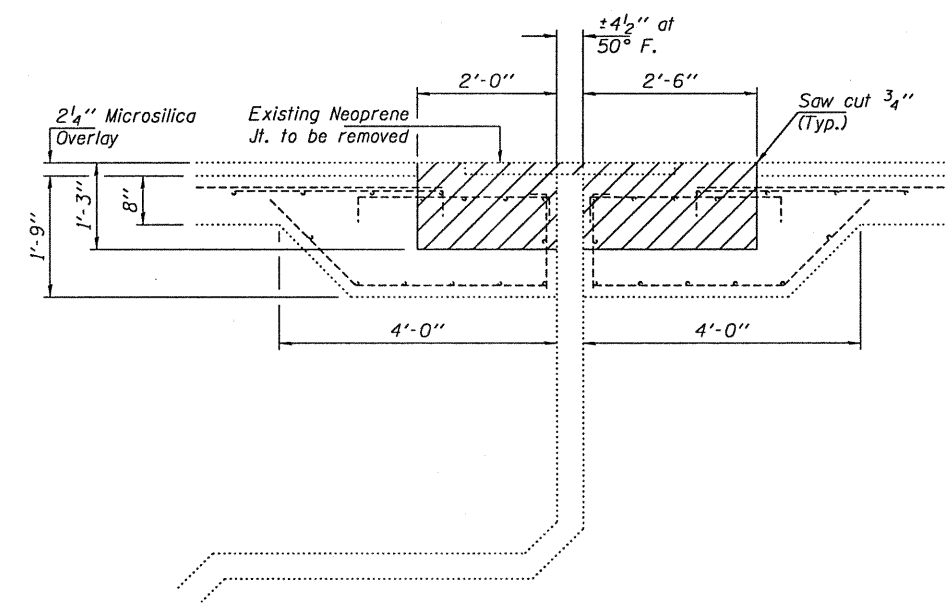


REMOVAL PLAN AT HINGE "B"

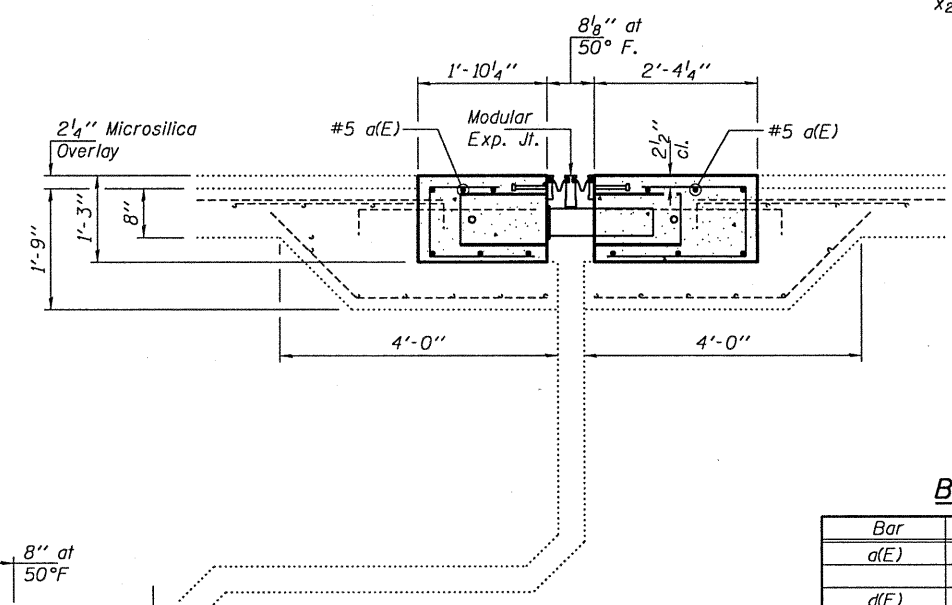
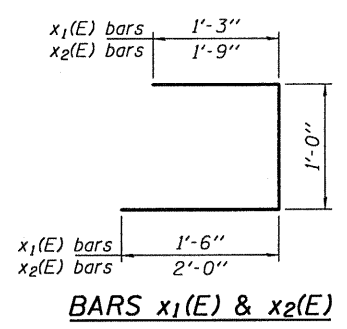


CONCRETE PLAN AT HINGE "B"

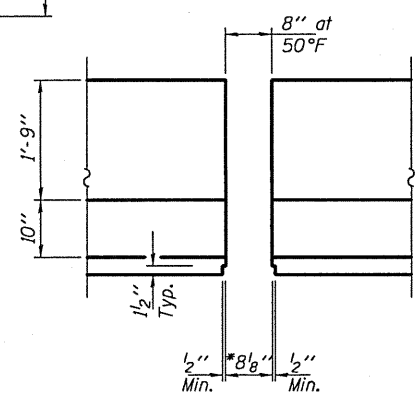
Note:
 Hatched areas indicate concrete sections to be removed and replaced. Perimeters of concrete removal areas shall be saw cut 3/4" prior to the removal of concrete.
 The Modular Expansion Joint at Hinge "B" shall have a total movement capability of 6 1/4".
 See sheet 4 of 9 for Parapet Details & d₁(E) bars.
 In reference to Article 520.04 of the Standard Specifications, the expansion length handled by Hinge "B" located adjacent to Pier 8 is 474 feet. The expansion length handled by Hinge "B" located adjacent to Pier 10 is 438 feet.



SECTION C-C



SECTION D-D



PARAPET ELEVATION

(Sliding P's not shown for clarity)
 See sheet 2 of 8 for Sliding P Details.
 Cost of sliding plates are included in the Modular Expansion Joint pay item.

* Dimension for Modular Expansion Joint at 50°F.

HINGE "B" BILL OF MATERIAL

Bar	No.	Size	Length	Shape
a(E)	48	#5	20'-2"	—
d(E)	24	#4	2'-9"	—
d ₁ (E)	24	#5	6'-1"	⊐
x ₁ (E)	56	#4	3'-9"	⊐
x ₂ (E)	56	#4	4'-9"	⊐
Concrete Removal			Cu. Yd.	19.4
Concrete Superstructure			Cu. Yd.	18.4
Reinforcement Bars, Epoxy Coated			Pound	1524
Modular Expansion Joint, 6"			Foot	84

DESIGNED - MKC	EXAMINED - <i>Carl Perry</i>
CHECKED - GGE	ENGINEER OF STRUCTURAL SERVICES
DRAWN - Kyle M. Steffen	PASSED - <i>Ralph E. Anderson</i>
CHECKED - MKC GGE	ENGINEER OF BRIDGES AND STRUCTURES

DATE - SEPTEMBER 27, 2010

STATE OF ILLINOIS
 DEPARTMENT OF TRANSPORTATION

JOINT REMOVAL & REPLACEMENT DETAILS AT HINGE "B"
 SN 075-0122 (E.B.)

F.A.I. RTE.	SECTION	COUNTY	TOTAL SHEETS	SHEET NO.
72	(75, 86)JR	PIKE	13	7
CONTRACT NO. 72081				
ILLINOIS FED. AID PROJECT				

SHEET NO. 3 OF 9 SHEETS