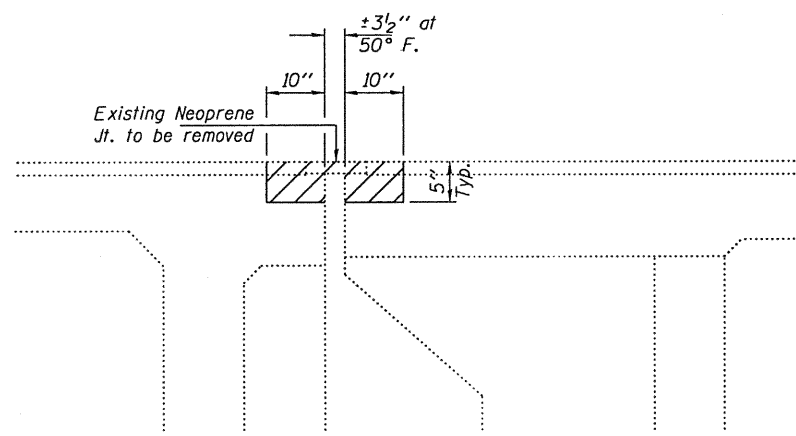


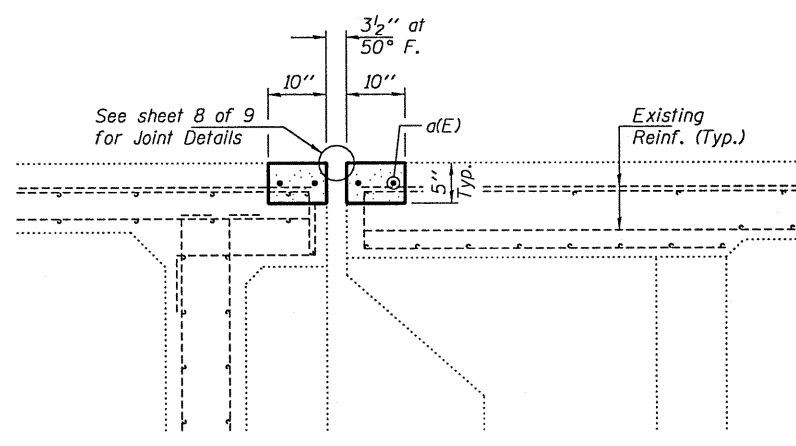
REMOVAL PLAN AT EAST ABUTMENT

REPLACEMENT PLAN AT EAST ABUTMENT

Notes:
 Hatched areas indicate concrete sections to be removed and replaced.
 Perimeters of concrete removal areas shall be saw cut 3/4" prior to the removal of concrete.
 Extreme care shall be exercised in the removal of concrete due to the shallow slab depth from the web of the box girder out to the parapet.
 See sheet 4 of 9 for Parapet Details & d1(E) bars.



SECTION G-G



SECTION H-H

EAST ABUTMENT BILL OF MATERIAL

Bar	No.	Size	Length	Shape
a(E)	8	#5	20'-2"	
d(E)	8	#4	2'-9"	
d1(E)	8	#5	6'-1"	P
Concrete Removal			Cu. Yd.	1.4
Concrete Superstructure			Cu. Yd.	1.4
Reinforcement Bars, Epoxy Coated			Pound	260

DESIGNED - MKC	EXAMINED <i>Carl Perry</i>	DATE - SEPTEMBER 27, 2010
CHECKED - GGE	ENGINEER OF STRUCTURAL SERVICES	
DRAWN - Kyle M. Steffen	PASSED <i>Ralph E. Anderson</i>	
CHECKED - MKC GGE	ENGINEER OF BRIDGES AND STRUCTURES	

**STATE OF ILLINOIS
 DEPARTMENT OF TRANSPORTATION**

**JOINT REMOVAL & REPLACEMENT DETAILS AT EAST ABUTMENT
 SN 075-0122 (E.B.)**

F.A.I. RTE.	SECTION	COUNTY	TOTAL SHEETS	SHEET NO.
72	(75, 86)BJR	PIKE	13	10
CONTRACT NO. 72081				
ILLINOIS FED. AID PROJECT				

SHEET NO. 6 OF 9 SHEETS