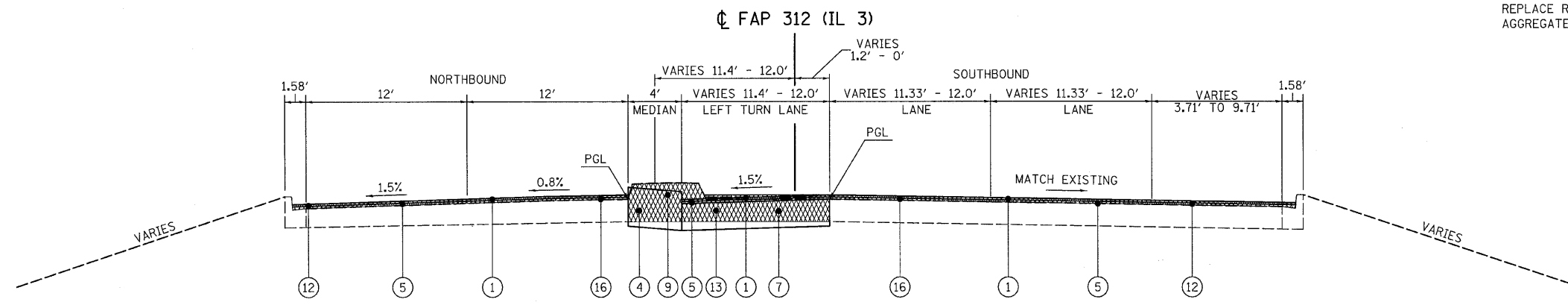


PROPOSED  
 FAP 312  
 (IL ROUTE 3)  
 STA 290+32.43 TO STA 290+89.66      \*\*\* 3.42' TO 3.30'



PROPOSED  
 FAP 312  
 (IL ROUTE 3)  
 STA 290+89.66 TO STA 292+01.38

NOTE: WHERE PROPOSED REMOVAL OF EXISTING PAVEMENT OR CURB/MEDIAN IS REQUIRED BELOW THE PROPOSED PORTLAND CEMENT CONCRETE PAVEMENT, REPLACE REMOVED MATERIAL WITH PROPOSED AGGREGATE BASE COURSE, TYPE A

- ① EXISTING LEVELING BINDER, TYPE 2, (VARIABLE DEPTH)
- ② EXISTING HMA CONC SURF CSE, CLASS I, MIX D, 1.50"
- ③ EXISTING PCC PAVEMENT, 10"
- ④ EXISTING AGG SHOULDERS, TYPE B, 8"
- ⑤ EXISTING HMA SHOULDERS, 8"
- ⑥ EXISTING TYPE 3 MEDIAN
- ⑦ EXISTING SM-6.06 MEDIAN (SPECIAL)
- ⑧ EXISTING COMB CONC C&G, TYPE B-6.12
- ⑨ EXISTING AGGREGATE BIKE PATH
- ⑩ EXISTING LEVELING BINDER, MACHINE METHOD (1")
- ⑪ EXISTING POLYMERIZED HOT MIX ASPHALT SURFACE COURSE (1 1/2")

- ① PROPOSED HMA SURF CSE, MIX "D", N90, 1.50"
- ② PROPOSED PCC SHOULDERS, 6"
- ③ PROPOSED CONCRETE CURB REMOVAL
- ④ PROPOSED CONCRETE MEDIAN, TYPE SB (SPECIAL)
- ⑤ PROPOSED HMA LEVEL BINDER (1" MIN DEPTH)
- ⑥ PROPOSED AGGREGATE SHOULDERS, TYPE B 4"
- ⑦ PROPOSED PORTLAND CEMENT CONCRETE PAVEMENT, 10" (JOINTED)
- ⑧ PROPOSED BITUMINOUS SURFACE TREATMENT A3
- ⑨ PROPOSED MEDIAN REMOVAL
- ⑩ PROPOSED COMBINATION CONCRETE CURB & GUTTER, TYPE B-6.12

- ⑪ PROPOSED AGGREGATE BASE COURSE, TYPE B, 6"
- ⑫ PROPOSED SURFACE REMOVAL, 2 1/2"
- ⑬ PROPOSED PAVEMENT REMOVAL
- ⑭ PROPOSED AGGREGATE BASE COURSE, TYPE A
- ⑮ PROPOSED PCC SHOULDERS, 10"
- ⑯ PROPOSED BITUMINOUS MATERIALS (PRIME COAT)
- ⑰ PROPOSED PAVED SHOULDER REMOVAL
- ⑱ PROPOSED HOT-MIX ASPHALT SHOULDERS, 2 1/2"
- ⑲ PROPOSED AGGREGATE SHOULDERS, TYPE B

LAST SAVED = 8/9/2010  
 PEN TABLE = 00-hair.tbl  
 PLOT DRIVER = prt2800-ibm.ctb

FILE NAME =	USER NAME = borsechmann	DESIGNED -	REVISED -
h:\07078\ced\l\plans\004-D876882-Sht-Typical.dgn		DRAWN -	REVISED -
		CHECKED -	REVISED -
PLOT SCALE = 5,0002' / IN.		DATE -	REVISED -
PLOT DATE = 8/9/2010 10:21:33 AM			

STATE OF ILLINOIS  
 DEPARTMENT OF TRANSPORTATION

HORNER &  
 SHIRIN, INC  
 ENGINEERS

TYPICAL SECTIONS  
 IL 3 PROPOSED

F.A.P. RTE.	SECTION	COUNTY	TOTAL SHEETS	SHEET NO.
312	64-1VBR	ST. CLAIR	259	13
CONTRACT NO. 76882				
FED. ROAD DIST. NO. ILLINOIS FED. AID PROJECT				

SCALE: NONE      SHEET NO. 8 OF 9 SHEETS      STA. 290+89.66 TO STA. 292+01.38