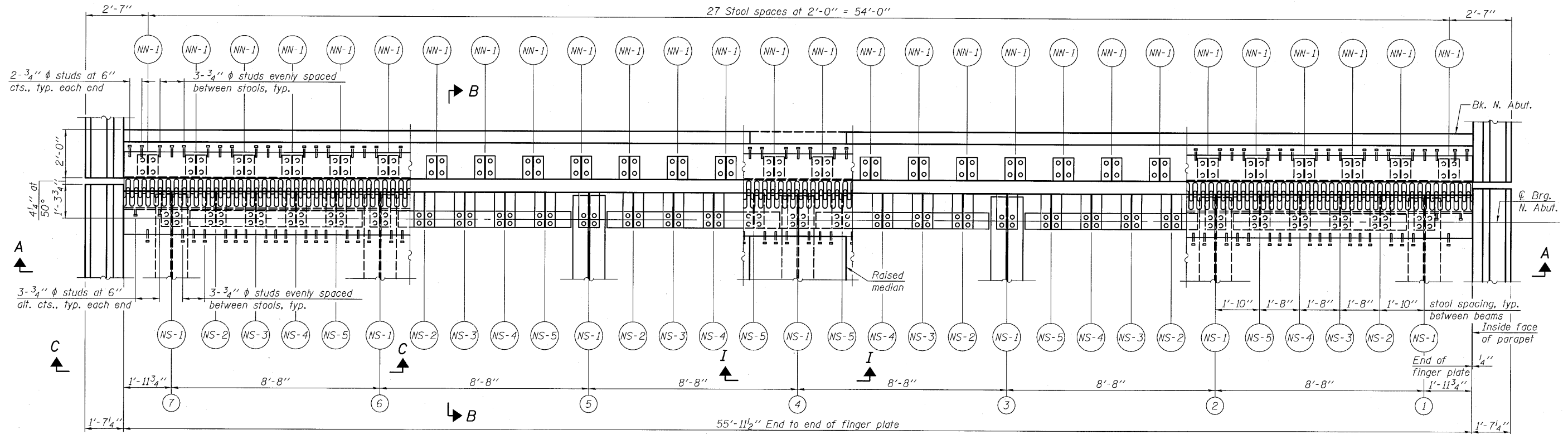
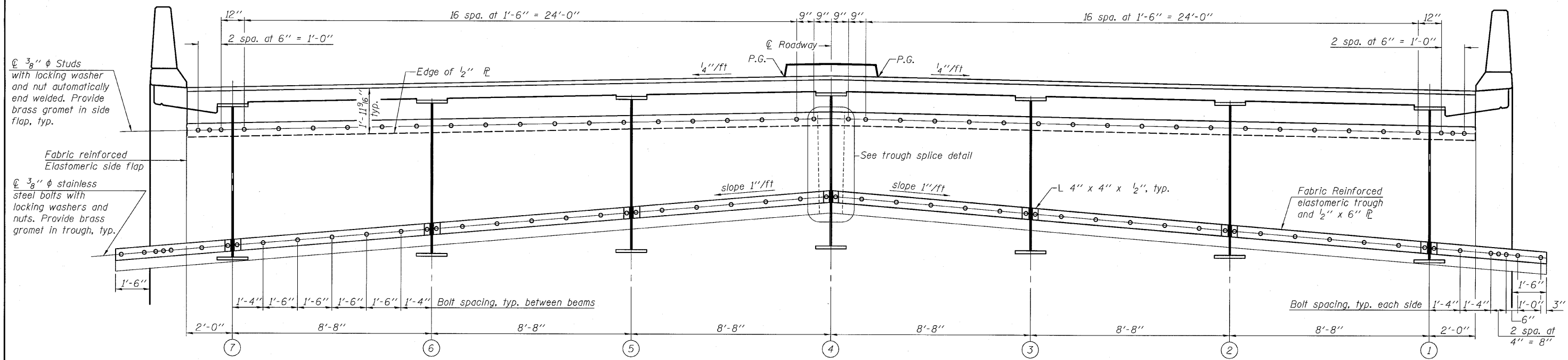


STATE OF ILLINOIS  
DEPARTMENT OF TRANSPORTATION

27 Stool spaces at 2'-0" = 54'-0"



PLAN AT NORTH ABUTMENT



SECTION A-A

NORTH ABUTMENT FINGER PLATE  
EXPANSION JOINT DETAILS  
STRUCTURE NO. 082-0038

DESIGNED	KAK
CHECKED	JJD
DRAWN	KAK/AJF
CHECKED	JJD

Notes:  
See sheet 23 of 48 for Section B-B and trough splice detail.  
See sheet 24 of 48 for Section C-C and Section I-I.



SHEET NO. 21 48 SHEETS	F.A.P. RTE.	SECTION	COUNTY	TOTAL SHEETS	SHEET NO.
	312	64-1VBR	ST. CLAIR	259	73
CONTRACT NO. 76882					
ILLINOIS FED. AID PROJECT					